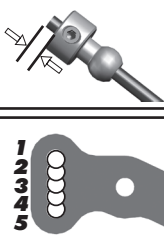
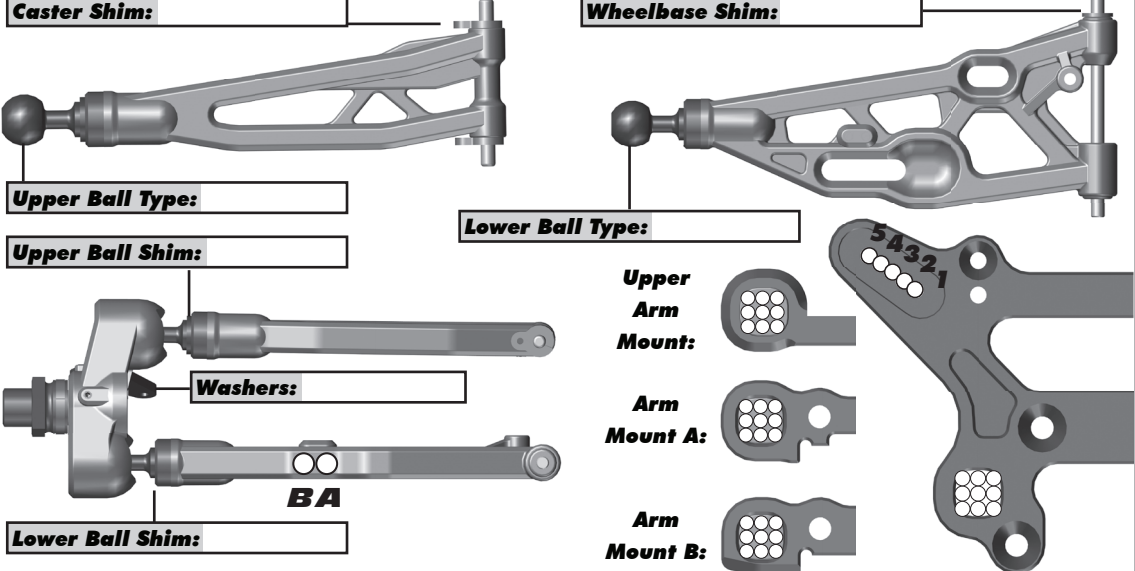


Front Suspension:

Ride Height: _____
Camber: _____
Toe: _____
Anti-Roll Bar
Size: _____
Gap: _____
Ackerman
Notes: _____
Drive Shaft: CVAs: Universals:
Chassis Brace: Short: Long:
Hex: _____
Notes: _____

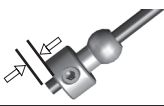


Caster Shim: _____
Wheelbase Shim: _____
Upper Ball Type: _____
Lower Ball Type: _____
Upper Ball Shim: _____
Washers: _____
Lower Ball Shim: _____
Upper Arm Mount: _____
Arm Mount A: _____
Arm Mount B: _____

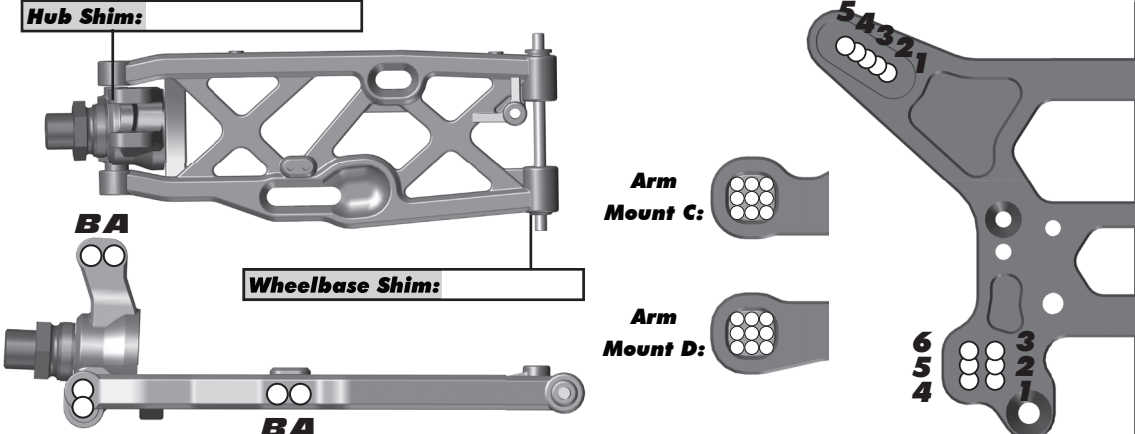


Rear Suspension:

Ride Height: _____
Camber: _____
Anti-Roll Bar
Size: _____
Gap: _____
Drive Shaft: CVAs: Universals:
Chassis Brace: Short: Long:
Hex: _____
Notes: _____



Hub Shim: _____
Wheelbase Shim: _____
Arm Mount C: _____
Arm Mount D: _____



Electronics:

Radio: _____
Servo: _____
EPA: Throttle: _____ % Brake: _____ %
EXPO: Throttle: _____ % Brake: _____ %
ESC: _____
Motor: _____
Battery: _____
Notes: _____

Differential Fluid:

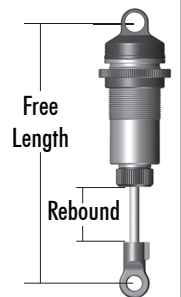
Front: _____
Center: _____
Rear: _____
Notes: _____

Gearings:

Spur Gear: _____ **Pinion:** _____
Notes: _____

Shocks:

| | Front | Rear |
|---------------------|-------|-------|
| Piston: | _____ | _____ |
| Fluid: | _____ | _____ |
| Cap: | _____ | _____ |
| Rebound: | _____ | _____ |
| Spring: | _____ | _____ |
| Free Length: | _____ | _____ |
| Notes: | _____ | |



Track Info:

Size: Small Medium Large Extra Large
Surface: Dirt Carpet Astroturf Multi Surface
Traction: Low Medium High Very High
Moisture: Dry Damp Wet
Condition: Indoor Outdoor Dusty Hard Packed
Bumpy Grooved Smooth Loamy
Temperature: Ambient: _____ Track: _____
Notes: _____

Tires:

Front Tires: _____
Front Compound: _____
Front Insert: _____
Rear Tires: _____
Rear Compound: _____
Rear Insert: _____
Wheel (F/R): _____
Notes: _____

Body, Wings:

Body: _____
Wing: _____
Wing Height: High: Low:
Gap to Tower: _____
Weight: _____
Total Vehicle Weight: _____
Notes: _____

Vehicle Comments:

Notes: _____