

RESET

Front Suspension:

Ride Height: 38 mm (Body Off + Full Tank)
Camber: -1
Toe: +2
Anti-Roll Bar
Size: 2.4 mm (Green)
Gap: 2 mm
Ackerman
1 2 3 4 5
Notes: #81032 Long Chassis Brace
#81066 Steering Block Arms
#89095 RC8.2 Hex
2mm Shim Between Sway Bar Links
1/2 mm Under Ackerman Ballstud
Front arm ground 1mm forward

Caster Shim: 0.9 mm

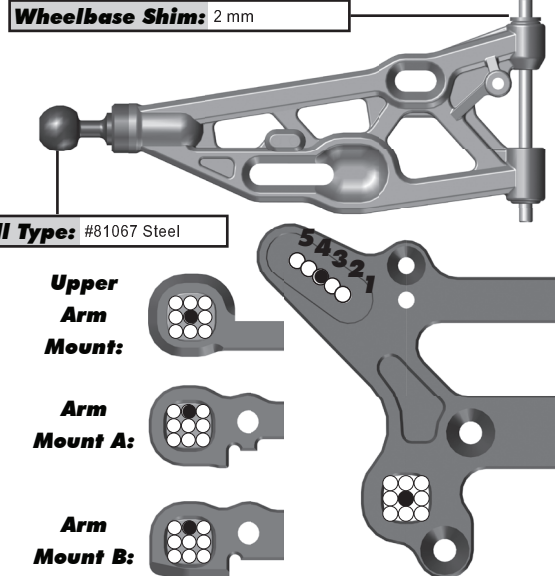
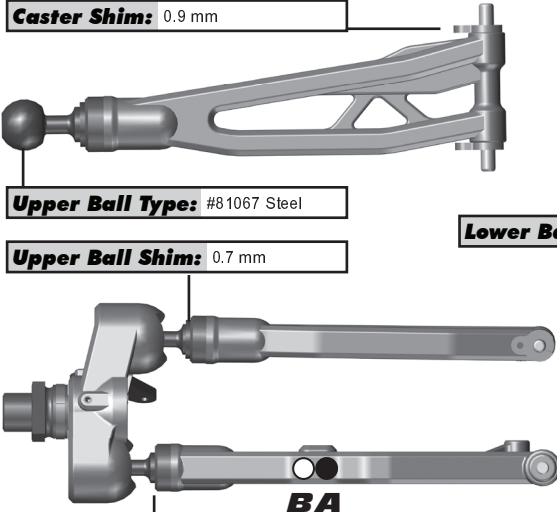
Upper Ball Type: #81067 Steel

Upper Ball Shim: 0.7 mm

Lower Ball Shim: 1.4 mm

Wheelbase Shim: 2 mm

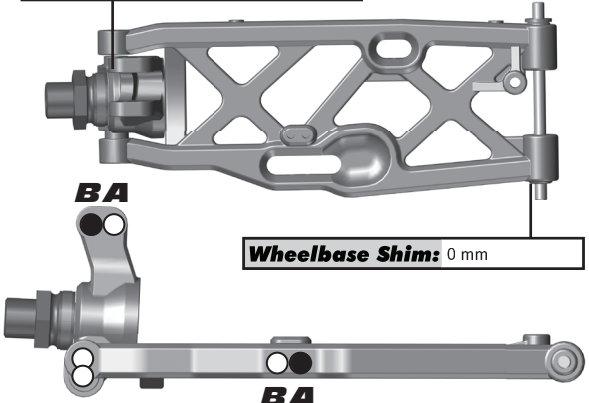
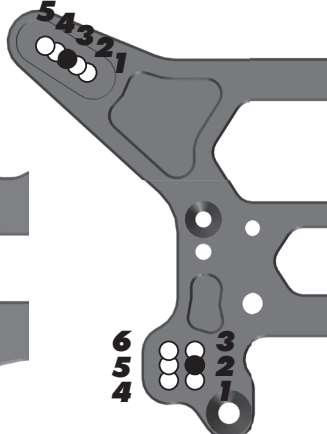
Lower Ball Type: #81067 Steel

Upper Arm Mount:
Arm Mount A:
Arm Mount B:


Rear Suspension:

Ride Height: 42 mm (Body Off + Full Tank)
Camber: -3
Anti-Roll Bar
Size: 2.9 (Red)
Gap: 0 mm (Reversed Ball)
Notes: #81032 Long Chassis Brace
#81077 Factory Team Aluminum Hubs (Pin Height = Middle)
#81319 RC8T3 Kit Hex
Rear Sway Bar Link Moved 3mm Back

Hub Shim: 2.5 mm

Wheelbase Shim: 0 mm

Arm Mount C:
Arm Mount D:


Electronics and Engine:

Radio: Airtronics M12S
Receiver Battery: Reedy 2100 mAh #315
Throttle Servo: Reedy RS2207A
Steering Servo: Reedy RS2207A
EPA: Throttle: 50 % Brake: 44 %
Brake Bias: 40F / 60R D/R: 100 %
Engine: O.S. Spec 2 Temp: 240*
Muffler: O.S. 2090SC Fuel: 30%
Restrictor: 7mm Glow Plug: P3

Differential Fluid:

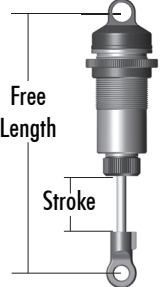
Front: 10,000
Center: 30,000
Rear: 7,000
Notes:

Clutch and Gearing:

Spur Gear: 46	Bell: 13
Shoes: 3 x Aluminum	
Springs: 2 x 1.0 + 1 x 1.1	
Notes:	

Shocks:

	Front	Rear
Piston:	6 x 1.3 Flat Kit	6 x 1.3 Flat Kit
Fluid:	37.5 wt	32.5 wt
Spring:	Yellow (Cut 2 Coils)	Blue
Stroke:	N/A	N/A
Free Length:	107 mm	126 mm
Notes:	Bladder Shock;	



Track Info:

Size: Small <input type="checkbox"/> Medium <input type="checkbox"/> Large <input checked="" type="checkbox"/> Extra Large <input type="checkbox"/>
Surface: Dirt <input checked="" type="checkbox"/> Carpet <input type="checkbox"/> Astroturf <input type="checkbox"/> Multi Surface <input type="checkbox"/>
Traction: Low <input checked="" type="checkbox"/> Medium <input checked="" type="checkbox"/> High <input type="checkbox"/> Very High <input type="checkbox"/>
Moisture: Dry <input checked="" type="checkbox"/> Damp <input type="checkbox"/> Wet <input type="checkbox"/>
Condition: Indoor <input type="checkbox"/> Outdoor <input checked="" type="checkbox"/> Dusty <input checked="" type="checkbox"/> Hard Packed <input checked="" type="checkbox"/> Bumpy <input type="checkbox"/> Grooved <input type="checkbox"/> Smooth <input type="checkbox"/> Loamy <input type="checkbox"/>
Temperature: Ambient: 65 Track: 60
Notes:

Tires:

Front Tires: JConcepts Reflex
Front Compound: Green
Front Insert: N/A
Rear Tires: JConcepts Reflex
Rear Compound: Green
Rear Insert: N/A
Wheel (F/R): N/A
Notes:

Body, Wings:

Body: Team Associated Kit
Wing: Team Associated Kit
Wing Height: High: <input checked="" type="checkbox"/> Low: <input type="checkbox"/>
Gap to Tower: Stock Holes
Weight:
Total Vehicle Weight: 4000g
Notes: 40g Under Center Rear Driveshaft

Vehicle Comments:

Notes: #27122 Reedy Aluminum Servo Horn;