



# RC8B TRUCK TEAM KIT



#80943 RC8T3.2 TEAM KIT  
#80944 RC8T3.2e TEAM KIT

1:8 Scale Nitro & Electric 4WD Off Road Competition Truggy Kit Manual & Catalog



**CHAMPIONS** *by* DESIGN

AssociatedElectrics



## :: Introduction

Thank you for purchasing this Team Associated product. This assembly manual contains instructions and tips for building and maintaining your new RC8T3.2/RC8T3.2e Kit. Please take a moment to read through this manual to help familiarize yourself with these steps. We are continually changing and improving our designs; therefore, actual parts may appear slightly different than in the illustrations. New parts will be noted on supplementary sheets located in the appropriate parts bags. Check each bag for these sheets before you start to build.

## :: RC8T3.2 / RC8T3.2e KIT Features

- New suspension arm design with inserts for flex adjustments
- Longer rear suspension arm length with narrow rear arm mounts
- New stiff shock bladder design improves jumping and handling performance
- Updated shock cap works for bladder or emulsion style shock setups
- Shorter and lower front bumper reduces drag and allows easier access to anti-roll bar screws
- I.F.M.A.R. approved rear wing
- Updated chassis with chamfered front edges to reduce drag
- Side guards are now threaded into the chassis from the top side of the car
- Two-piece sliding motor mount for easy gear mesh adjustment and motor removal
- 90% parts compatibility with RC8T3.1 and RC8T3.1e

### RC8T3.2 Specific Features:

- 4-shoe clutch provides precise power transfer and is easy to maintain.
  - Optional clutch spring rates and clutchbells allows custom tuning for varying grip levels.

### RC8T3.2e Specific Features:

- Two-piece sliding motor mount for easy gear mesh adjustment and motor removal.

## :: Additional

Your new R/C vehicle comes as an unassembled kit. There are some items you will need to complete your kit.

Part numbers suggested are currently offered by Associated Electrics.

- 2 channel radio/transmitter set with switch (FM/PCM/2.4GHz)
- Steering / Throttle servos (#27100, 27101, 27107)
- 1/8th scale Truggy tires
- Needle nose pliers
- Hobby knife
- Polycarbonate specific spray paint or polycarbonate specific bottled paint and airbrush
- Transmitter batteries (#302)
- Tire Balancer (#1498)
- Reamer/hole punch (#1499)
- Ride height gauge (#1449)
- CA (Cyanoacrylic) glue (#1597)
- Thread locking compound (#1596)
- Shock shaft pliers (#1675)

### RC8T3.2 Specific Items:

- .21 class rear exhaust engine
- 6.6 - 7.4 flat receiver battery pack (Lipo: #27313 - LiFe: #27315)
- Fuel bottle (#1747)
- Glow igniter
- Muffler & manifold springs
- Nitro RC fuel (30% nitro recommended)
- Starter box (#1751)

### RC8T3.2e Specific Items:

- 14.8v LiPo battery pack (#27353, 27354, 27341 recommended)
- 1/8 scale specific electronic speed control (#27007, 27008)
- 1/8 scale specific electric motor (27407)
- Quick charger (#616, 27200 recommended)

## :: Other Helpful Items

- Silicone Shock/Diff Fluids (Refer to catalog for complete listings)
- FT Turnbuckle Wrench (#89240)
- FT Hex Wrenches (#1519, 1655)
- FT Nut Drivers (#1663-1668)
- Soldering Iron
- Calipers or Precision Ruler
- Green Slime shock lube (#1105)
- Body Scissors (#1737)
- Wire Cutters
- T Handle Ratchet Driver (#1679)














**Associated Electrics, Inc.**  
21062 Bake Parkway.  
Lake Forest, CA 92630



**Customer Service**  
Tel: 949.544.7500  
Fax: 949.544.7501



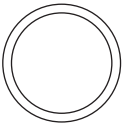
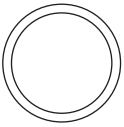

**:: Hardware - 1:1 Scale View**

**Flat Head (FHCS)**













	<b>2.5x6mm (4675)</b>
	<b>2.5x8mm (31448)</b>
	<b>3x6mm (31541)</b>
	<b>3x8mm (25201) Titanium (91592)</b>
	<b>3x10mm (25202) Titanium (91593)</b>
	<b>3x12mm (25203) Titanium (91594)</b>
	<b>3x14mm (89208) Titanium (91595)</b>
	<b>3x30mm (89212)</b>
	<b>4x10mm (81262)</b>
	<b>4x12mm (89214)</b>
	<b>4x14mm (89217)</b>
	<b>4x16mm (81263)</b>
	<b>4x20mm (81264)</b>

**Shims**






**Differential Shim Set (81381)**

	<b>3.5x12x0.12mm</b>
	<b>6x8x0.20mm</b>
	<b>13.5x15.8x0.20mm</b>
	<b>13.5x15.8x0.10mm</b>
	<b>5.5x1.0mm (31382)</b>










**Button Head (BHCS)**

	<b>2.5x6mm (31520)</b>
	<b>2.5x8mm (31521)</b>
	<b>2.5x18mm (81259)</b>
	<b>3x6mm (31531) Titanium (91580)</b>
	<b>3x10mm (25211)</b>
	<b>3x14mm (25187) Titanium (91584)</b>
	<b>3x16mm (89203) Titanium (91585)</b>
	<b>3x20mm (25188)</b>
	<b>3x24mm (89204) Titanium (91589)</b>
	<b>4x10mm (89206)</b>
	<b>4x14mm (81260)</b>
	<b>4x16mm (81261)</b>







**Socket Head (SHCS)**

	<b>2x5mm (31511)</b>
	<b>2x16mm (7184)</b>
	<b>3x8mm (89223)</b>
	<b>3x10mm (25620)</b>
	<b>3x24mm (89225)</b>








**Nuts (lock/plain)**

	<b>M3 Nut (91477)</b>
	<b>M3 Alum. Locknut, Blue (31550)</b>
	<b>M3 Locknut, Black (25215)</b>
	<b>M3 Locknut w/Flange (25612)</b>
	<b>FT 3mm Locknuts, Blue(25392)</b>
	<b>M4 Locknut (89216)</b>
	<b>M4 Locknut Knurled w/Flange (91148)</b>
	<b>FT M4 Locknut, Blue (31551)</b>
	<b>M4 Locknut, Serrated (91738)</b>

**Set Screws**

	<b>3x3mm (25225)</b>
	<b>3x6mm (81257)</b>
	<b>3x10mm (4671)</b>
	<b>3x12mm (81258)</b>
	<b>4x4mm (7732)</b>
	<b>5x4mm (89221)</b>

**Ball Bearings**

	<b>5x8x2.5mm (8680)</b>
	<b>5x10x4mm (91560)</b>
	<b>6x10x3mm (31404)</b>
	<b>6x12x4mm (91561)</b>
	<b>8x16x5mm (91564)</b>
	<b>8x16x5mm flanged (91565)</b>
	<b>15x21x4mm (91566)</b>

**:: Table of Contents**

1.....	Cover	20.....	RC8T3.2e Radio Tray Build (10.1, 10.2)
2.....	Introduction	21.....	RC8T3.2e Receiver Box/ Linkage Build (Bag 11.1, 11.2)
3.....	1:1 Hardware "Fold Out"	22 - 23.....	RC8T3.2 Center Bulkhead/ Brakes (Bag 7.2, 7.2)
4.....	Table of Contents	23 - 25.....	RC8T3.2 Radio Tray Build (Bag 10.1, 10.2)
5 - 7.....	Differentials Build (Bag 1.1, 1.2)	26 - 27.....	RC8T3.2 Servo / Linkage Build (Bag 11.1, 11.2)
7 - 8.....	Steering / Chassis Build (Bag 2.1, 2.2)	27 - 30.....	Engine / Tank Build (Bag 12.1, 12.2)
9 - 10.....	Front Gearbox Build (Bag 3.1, 3.2)	31.....	Wheels / Tires / Body (Misc)
11 - 12.....	Front Uprights Build (Bag 4.1, 4.2)	32.....	Droop Settings
12 - 14.....	Rear Gearbox Build (Bag 5.1, 5.2)	33 - 45.....	Catalog
15 - 16.....	Rear Uprights / Turnbuckles Build (5.2, 6.1)	46.....	Back Cover
16 - 17.....	RC8T3.2e Center Bulkhead/ Brakes Build (Bag 7.1, 7.2)		
17 - 18.....	Anti-Roll Bars Build (8.1)		
18 - 19.....	Shocks Build (Bag 9.1)		

**:: Notes**

***This symbol indicates a special note or instruction in the manual.***



***This symbol indicates a Racers Tip.***



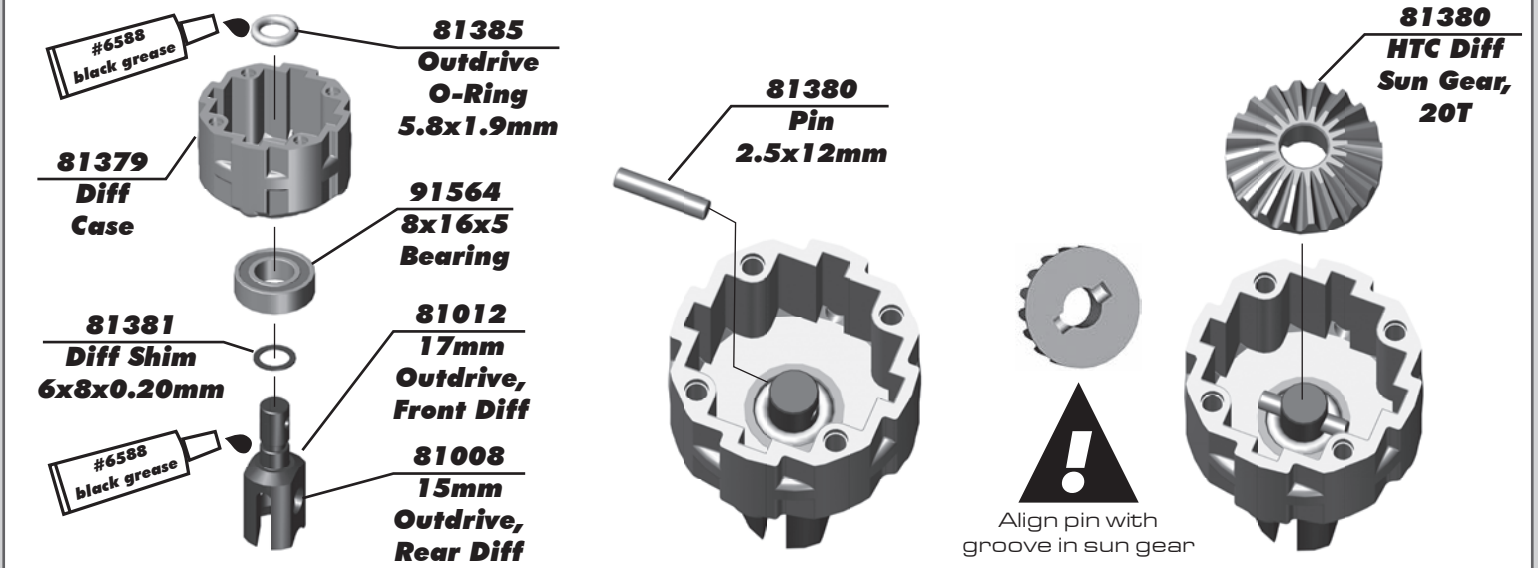
***There is a 1:1 hardware foldout page in the front of the manual. To check the size of a part, line up your hardware with the correct drawing until you find the exact size. Each part in the foldout has a number assigned to it for ordering replacement parts.***

**Associated Electrics, Inc.  
21062 Bake Parkway.  
Lake Forest, CA 92630**

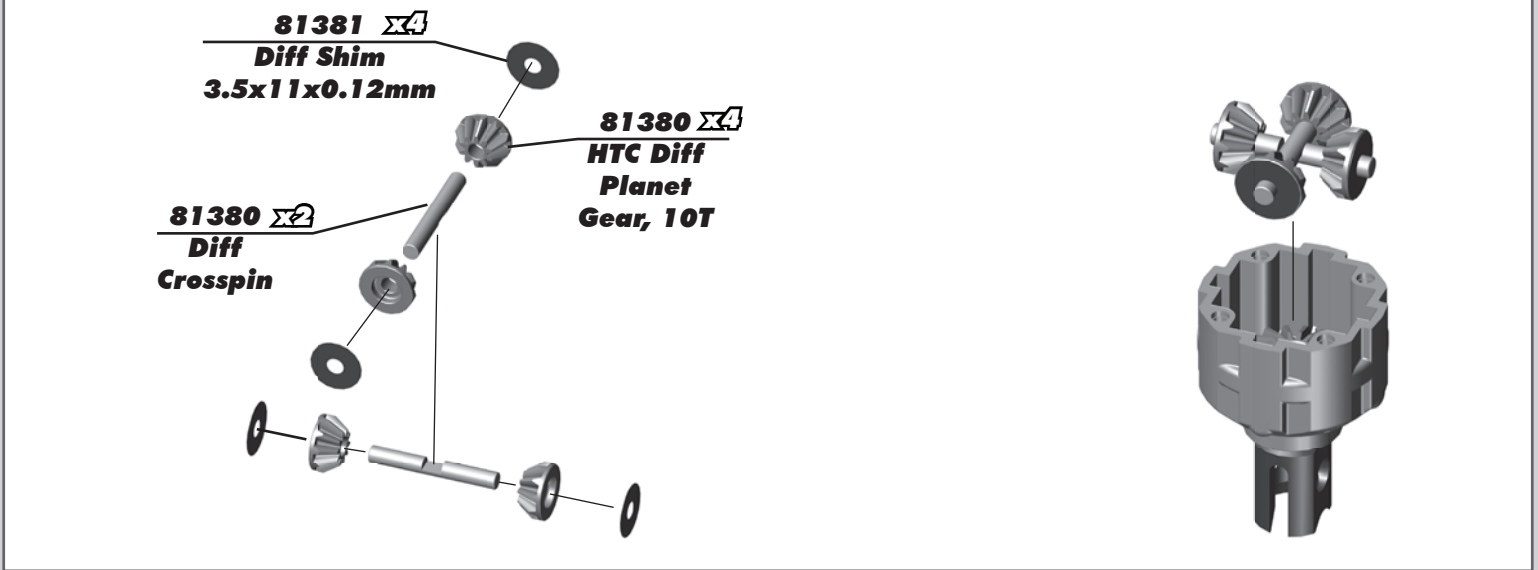


**Customer Service  
Tel: 949.544.7500  
Fax: 949.544.7501**

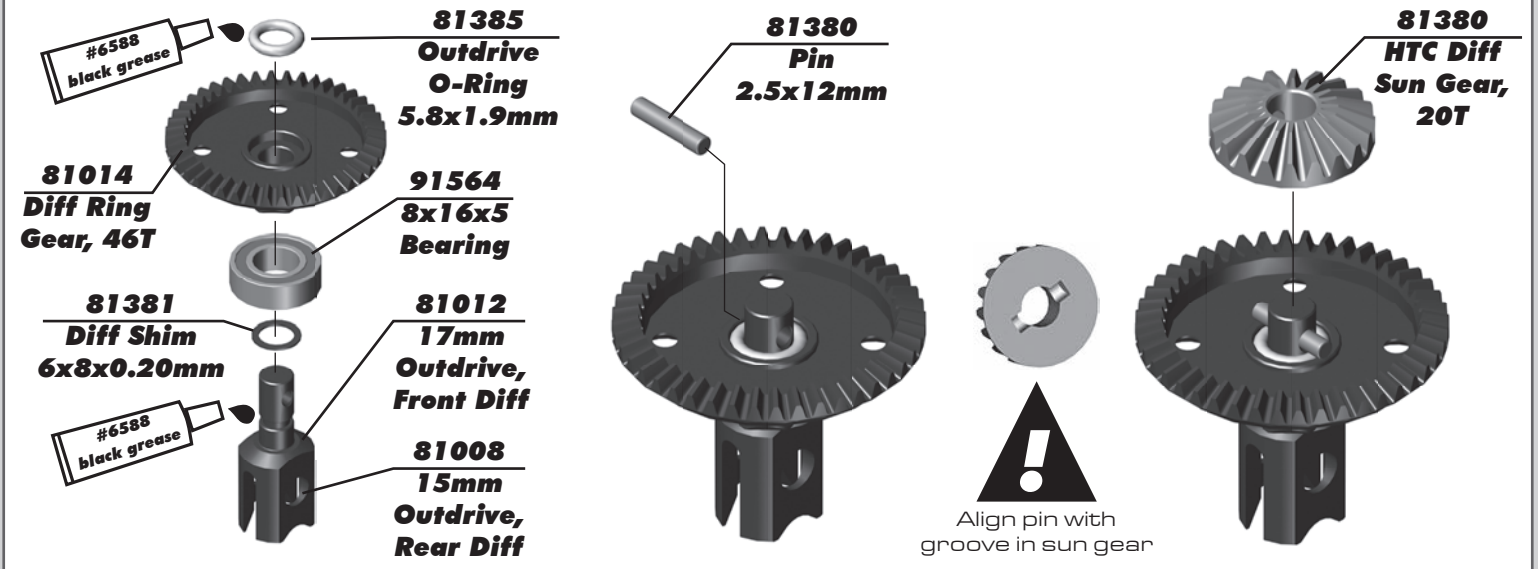
**:: Differential Build (Front and Rear) - Bag 1.1, 1.2 - Step 1**



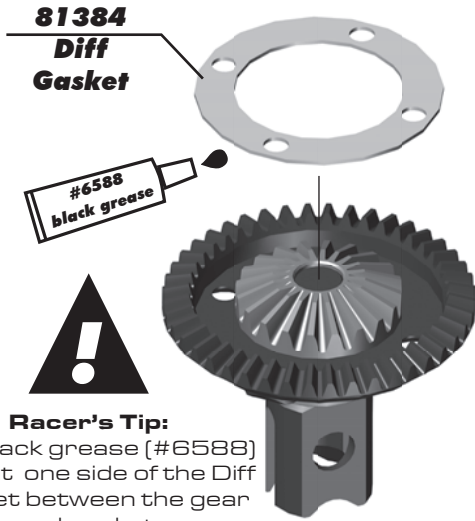
**:: Differential Build (Front and Rear) - Bag 1.1, 1.2 - Step 2**



**:: Differential Build (Front and Rear) - Bag 1.1, 1.2 - Step 3**



**:: Differential Build (Front and Rear) - Bag 1.1, 1.2 - Step 4**



**81384**  
**Diff**  
**Gasket**

**#6588**  
**black grease**

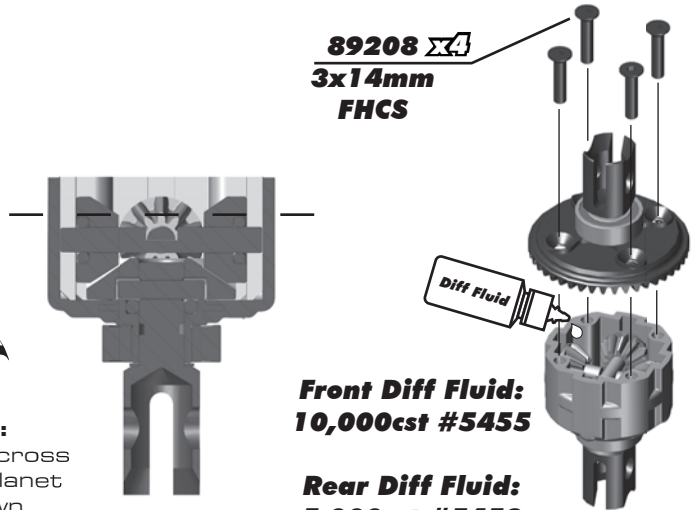
**Racer's Tip:**

Use black grease (#6588) to coat one side of the Diff Gasket between the gear and gasket.



**Racer's Tip:**

Fill diff above the cross pins, below the planet gears as shown.



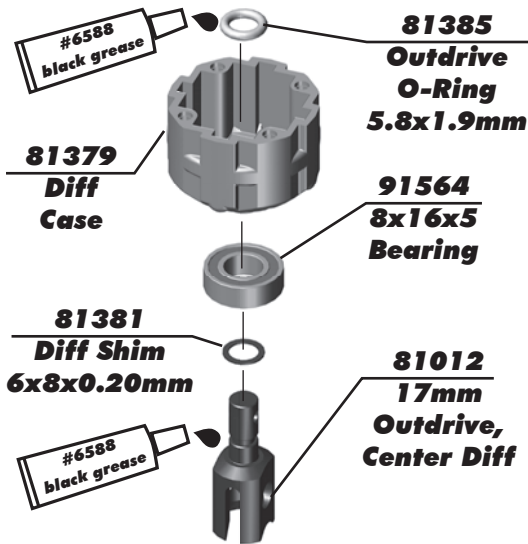
**89208**  $\Sigma 4$   
**3x14mm**  
**FHCS**

**Diff Fluid**

**Front Diff Fluid:**  
**10,000cst #5455**

**Rear Diff Fluid:**  
**5,000cst #5453**

**:: Differential Build (Center) - Bag 1.1, 1.2 - Step 5**



**81379**  
**Diff**  
**Case**

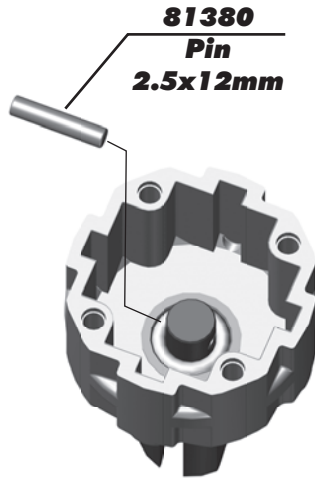
**81385**  
**Outdrive**  
**O-Ring**  
**5.8x1.9mm**

**91564**  
**8x16x5**  
**Bearing**

**81381**  
**Diff Shim**  
**6x8x0.20mm**

**81012**  
**17mm**  
**Outdrive,**  
**Center Diff**

**#6588**  
**black grease**



**81380**  
**Pin**  
**2.5x12mm**

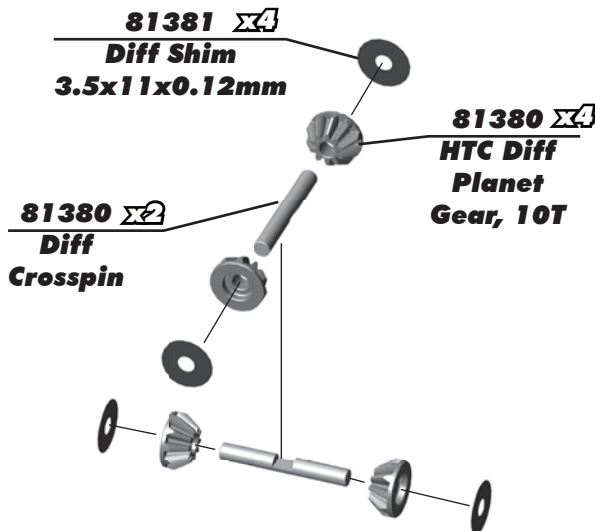


Align pin with groove in sun gear



**81380**  
**HTC Diff**  
**Sun Gear,**  
**20T**

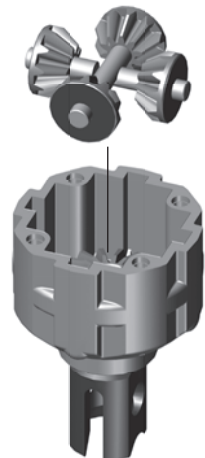
**:: Differential Build (Center) - Bag 1.1, 1.2 - Step 6**



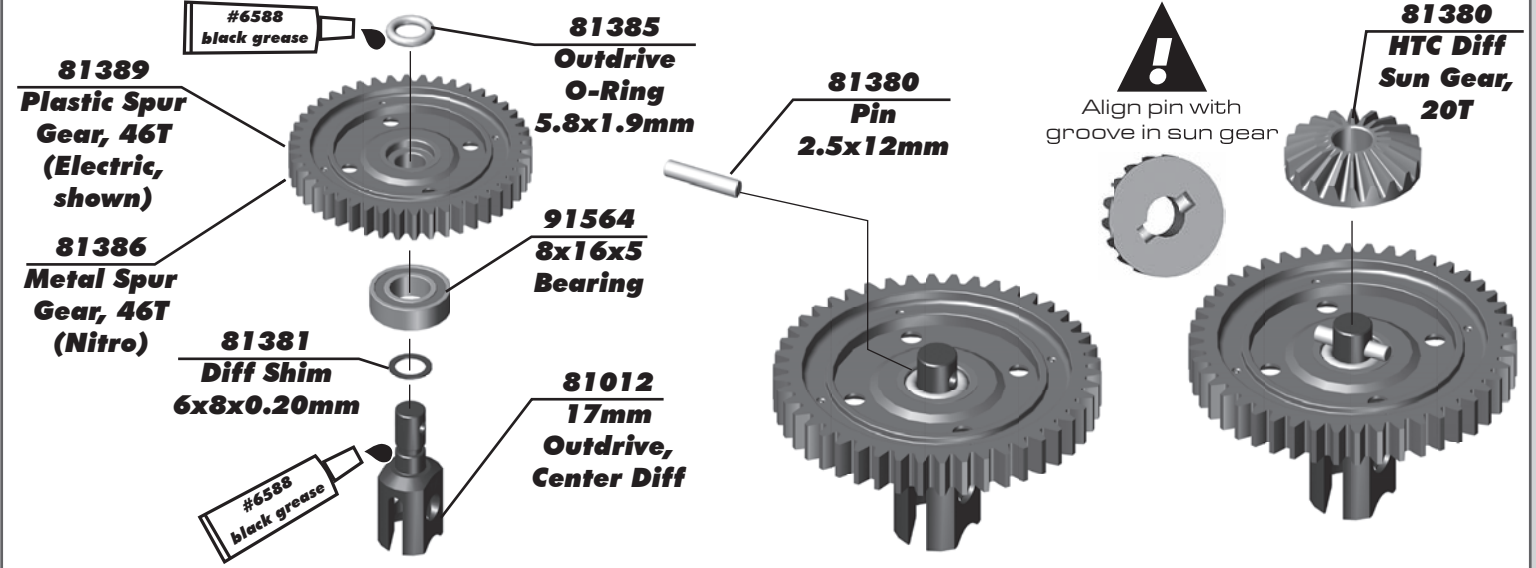
**81381**  $\Sigma 4$   
**Diff Shim**  
**3.5x11x0.12mm**

**81380**  $\Sigma 4$   
**HTC Diff**  
**Planet**  
**Gear, 10T**

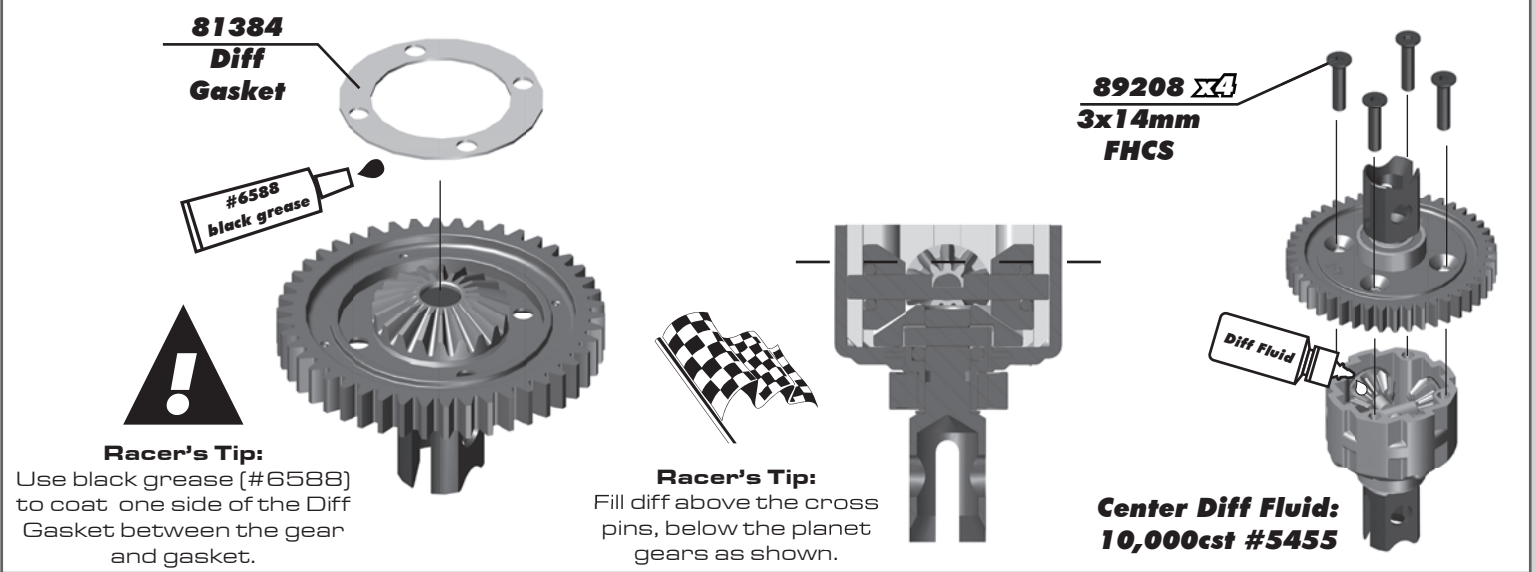
**81380**  $\Sigma 2$   
**Diff**  
**Crosspin**



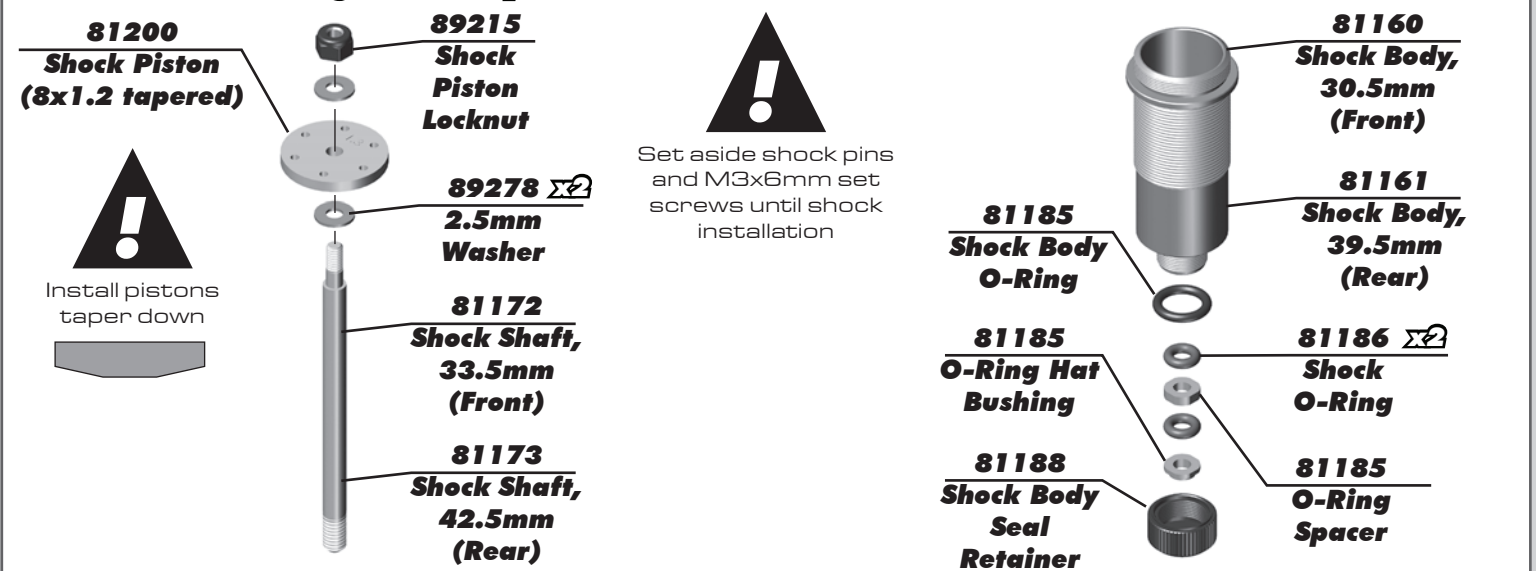
**:: Differential Build (Center) - Bag 1.1, 1.2 - Step 7**



**:: Differential Build (Center) - Bag 1.1, 1.2 - Step 8**



**:: Shocks Build - Bag 2.1 - Step 1**



**:: Shocks Build - Bag 2.1 - Step 2**

**Racer's Tip:**  
Use green slime (#1105) to lube the O-Rings before installation! (not included)

**81191 Shock Boots**

**81194 Shock Rod End and Ball**

**81452 RC8B3.2 Shock Cap**

**81453 Bladder, Stiff**

**81181 Shock Cap Insert**

**91492 2x4mm BHCS**

**91492 Gasket**

When installing the shock bladder, make sure it is correctly seated within the shock cap as shown.

**:: Shocks Build - Bag 2.1 - Step 3**

**Front Shock Fluid: 40wt #5423**

**Rear Shock Fluid: 35wt #5429**

Leave a gap when installing the shock cap.

Compress shock shaft fully. Let shock fluid bleed from bleeder screw hole, then tighten the screw.

For more rebound, do not compress shock shaft as far before tightening the shock cap.

**:: Shocks Build - Bag 2.1 - Step 4**

The shock springs come with colored heat shrink tubing. Install them on the springs for easy identification.

**81221 Spring Collar O-Ring, 20mm**

**81221 Spring Collar, 20mm**

**81225 Front Spring V2, Blue (5.55lb/in)**

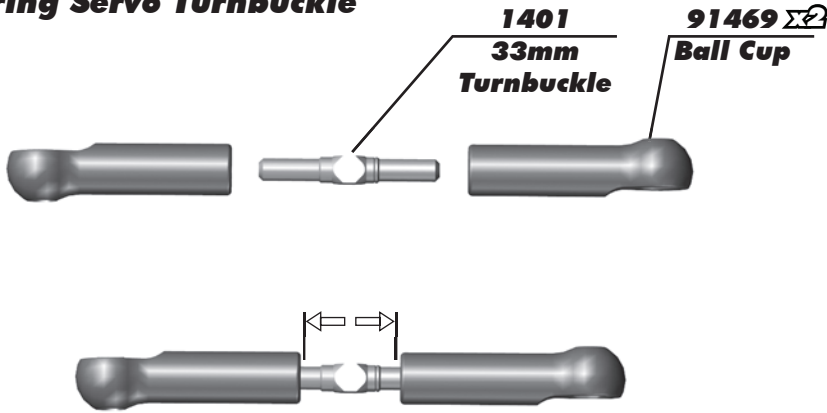
**81231 Rear Spring V2, Blue (4.30lb/in)**

**81194 Spring Cup, 20mm**



**:: Turnbuckles Build - Bag 3.1, 3.2 - Step 1**

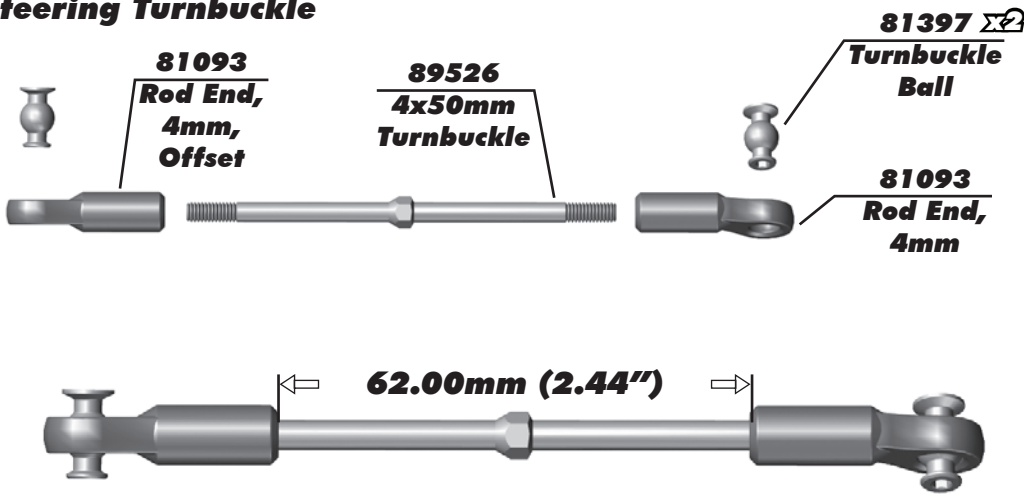
**Steering Servo Turnbuckle**



**Steering Servo Turnbuckle  
11.50mm (0.45")**

**:: Turnbuckles Build - Bag 3.1, 3.2 - Step 2**

**Steering Turnbuckle**

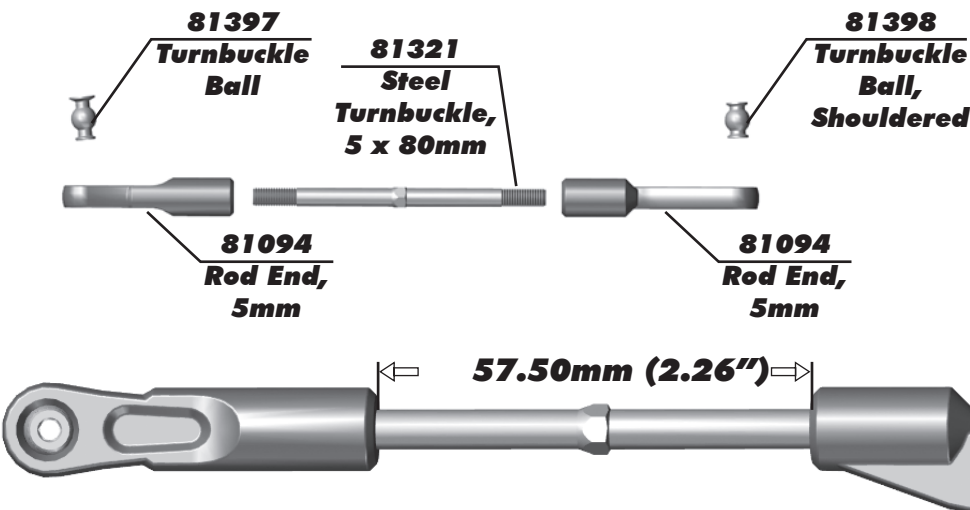


**!**  
Note direction of  
turnbuckle ball

**!**  
Set aside until page  
22 - RC8T3.2e  
25 - RC8T3.2

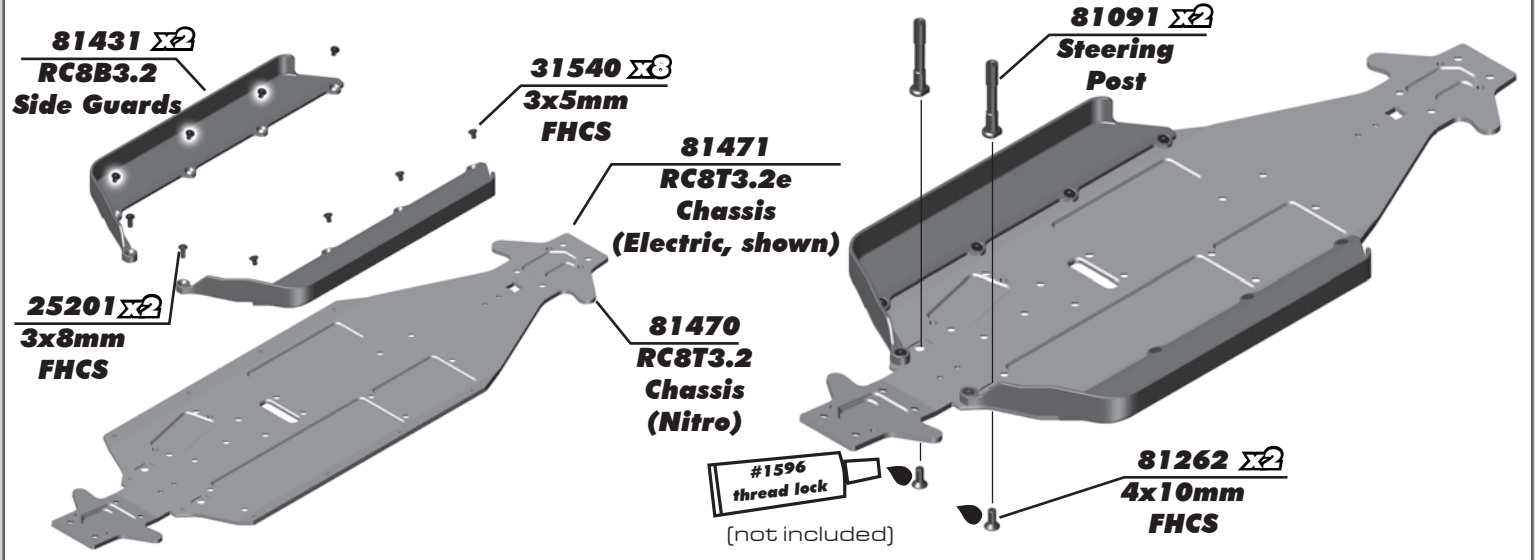
**:: Turnbuckles Build - Bag 3.1, 3.2 - Step 3**

**Rear Hub Turnbuckle**

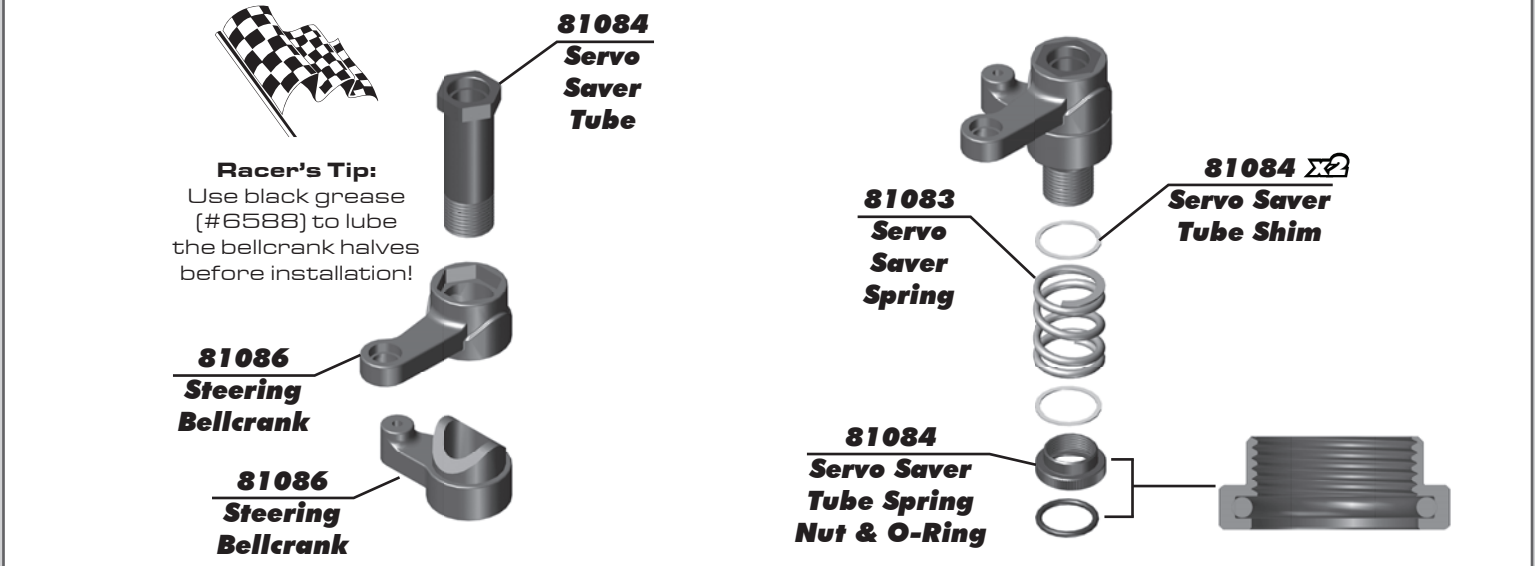


**!**  
Set aside until page  
22 - RC8T3.2e  
25 - RC8T3.2

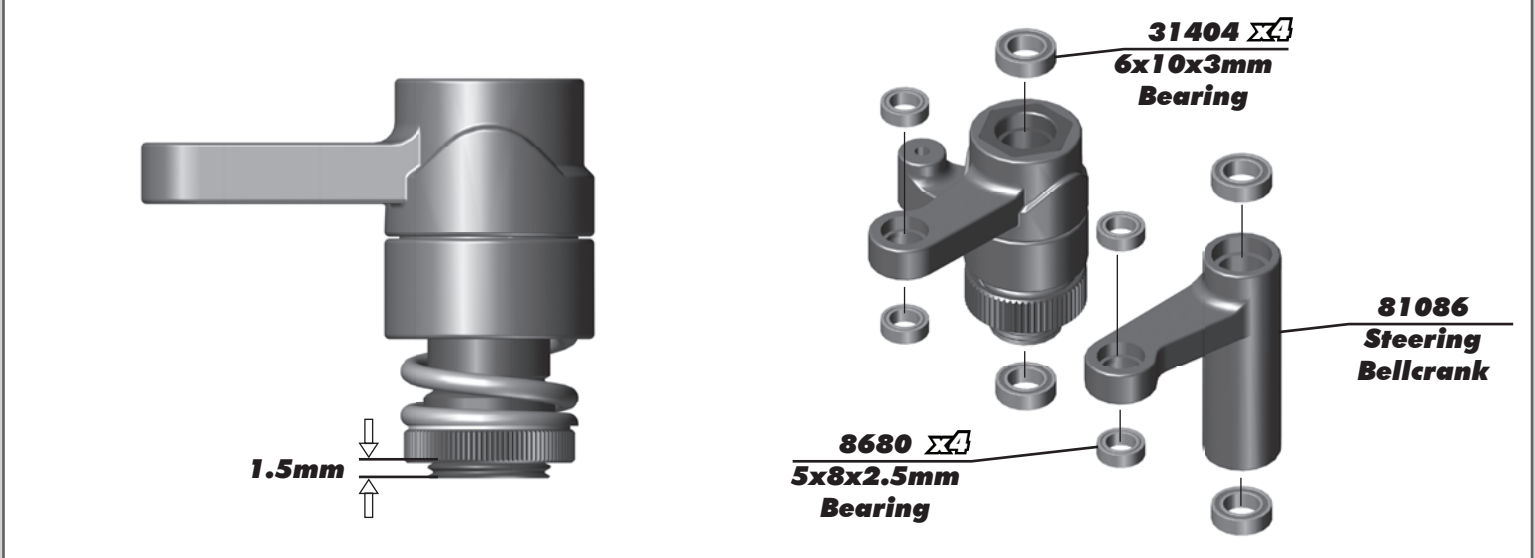
**:: Steering / Chassis Build - Bag 4.1, 4.2 - Step 1**



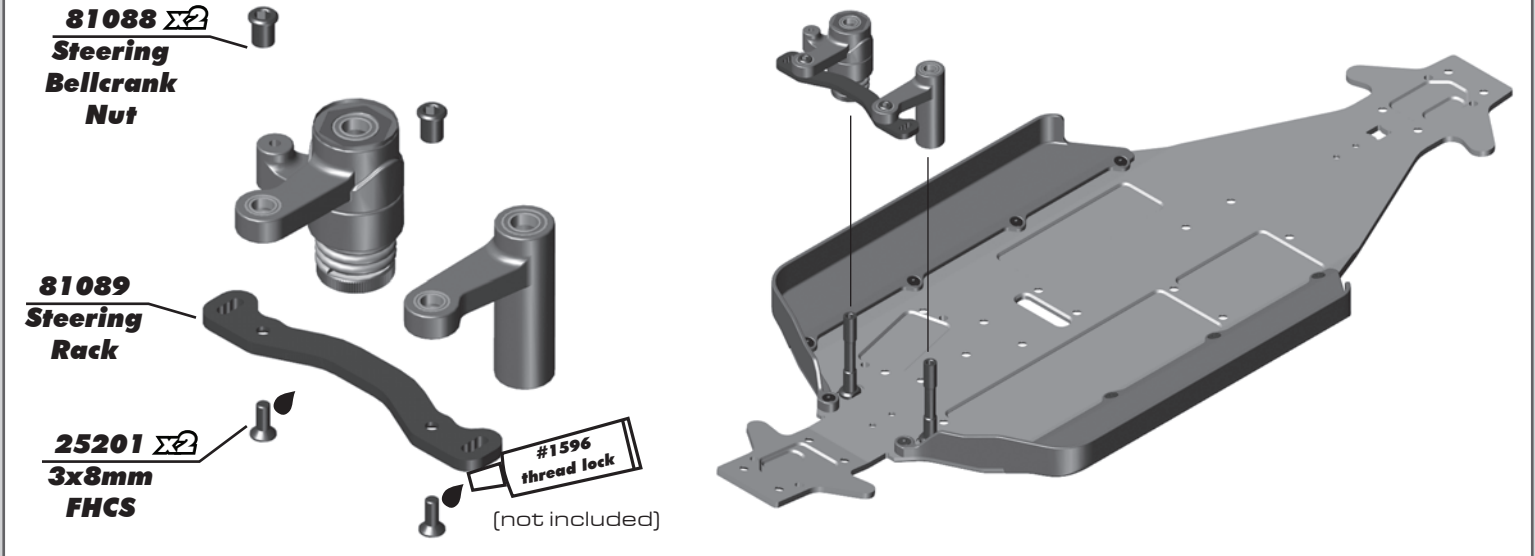
**:: Steering / Chassis Build - Bag 4.1, 4.2 - Step 2**



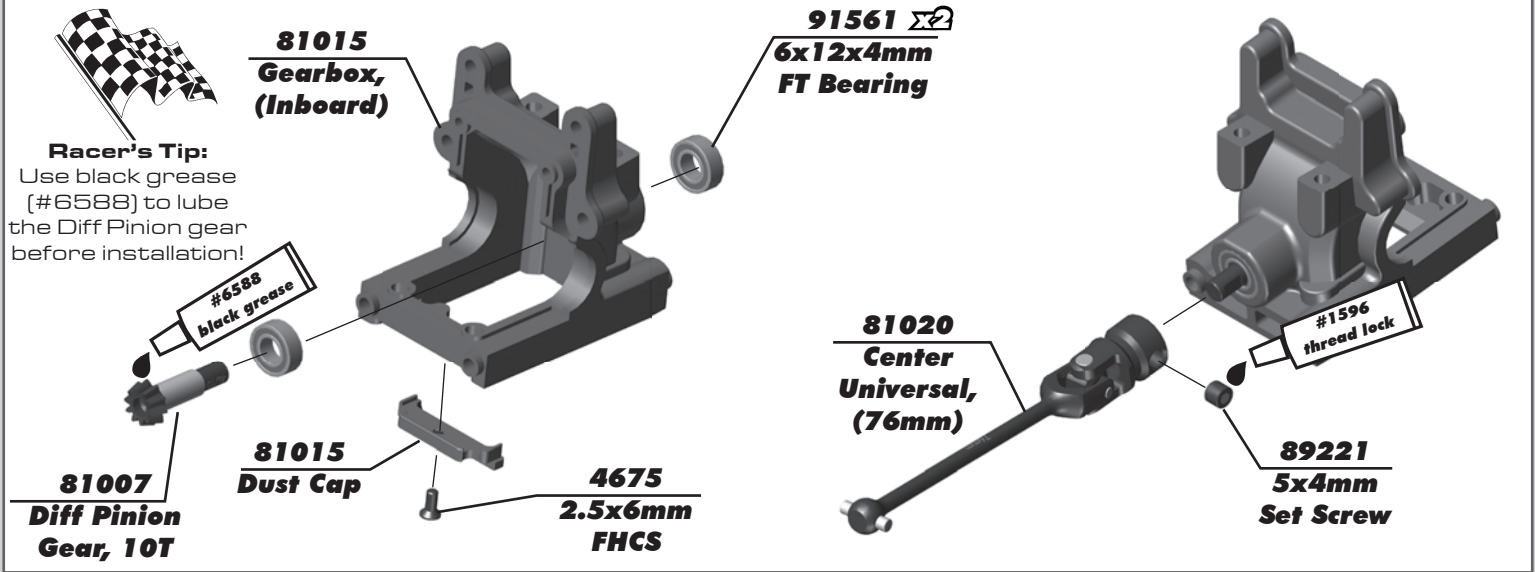
**:: Steering / Chassis Build - Bag 4.1, 4.2 - Step 3**



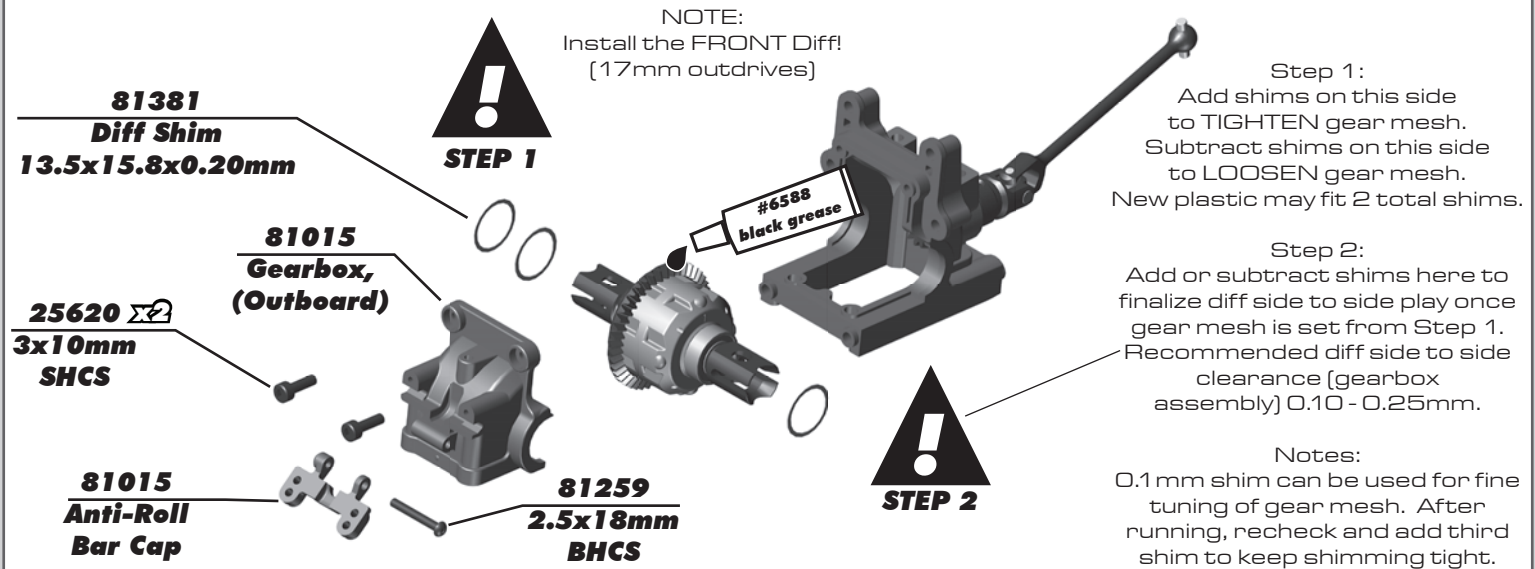
**:: Steering / Chassis Build - Bag 4.1, 4.2 - Step 4**



**:: Front Gearbox Build - Bag 5.1, 5.2, 5.3 - Step 1**



**:: Front Gearbox Build - Bag 5.1, 5.2, 5.3 - Step 2**

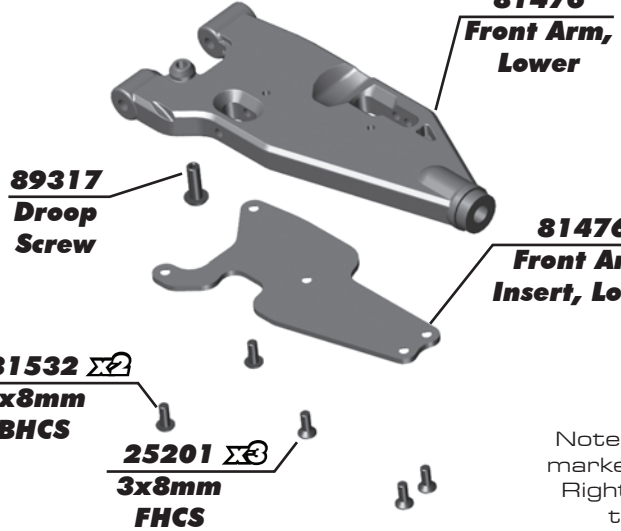
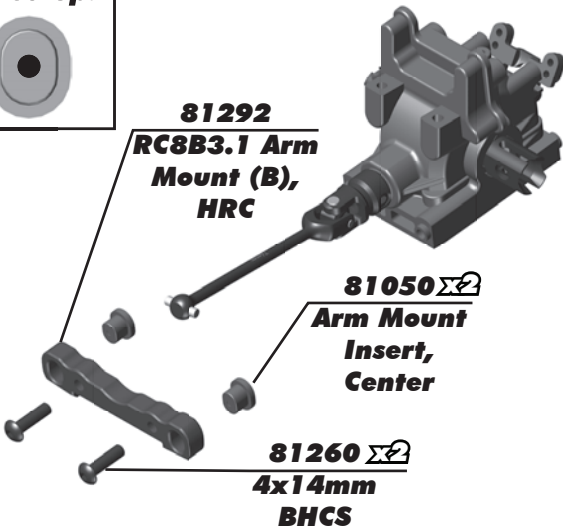


**:: Front Gearbox Build - Bag 5.1, 5.2, 5.3 - Step 3**

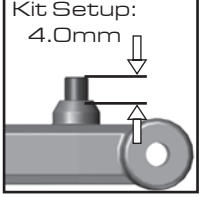
**Kit Setup:**



**Build left and right side!**



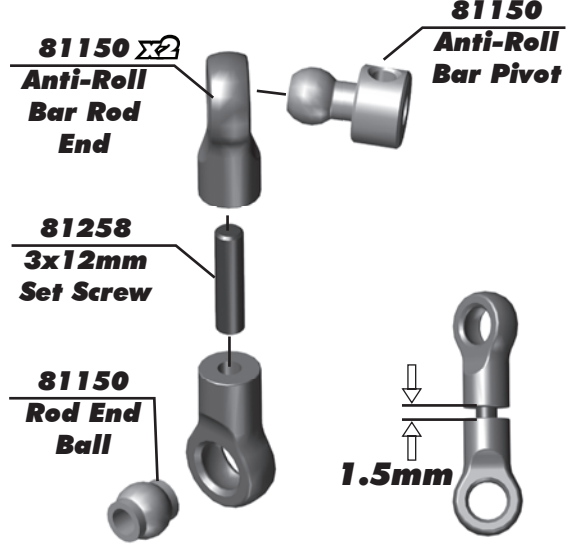
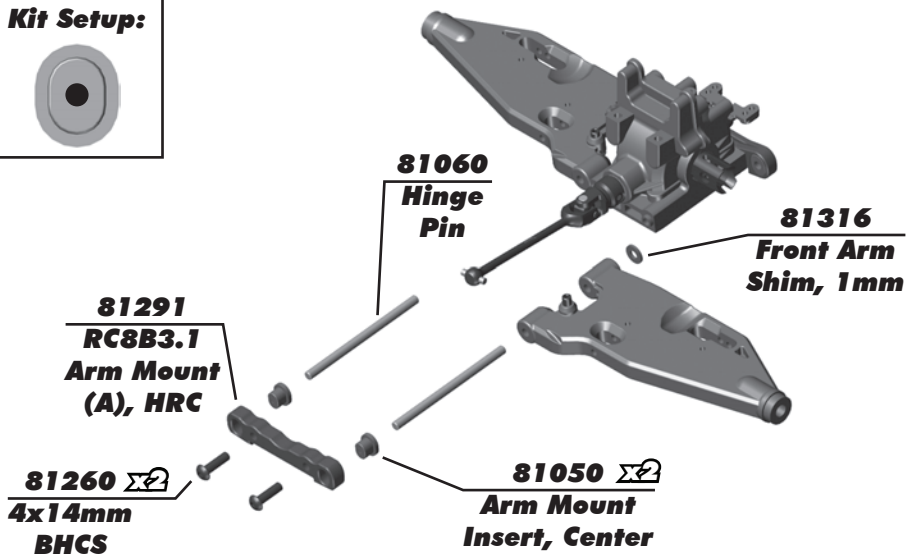
**Droop Screw:**



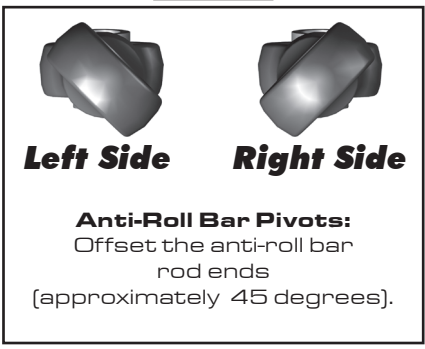
Note that each arm is marked with a R for the Right Arm or an L for the Left Arm.

**:: Front Gearbox Build - Bag 5.1, 5.2, 5.3 - Step 4**

**Kit Setup:**

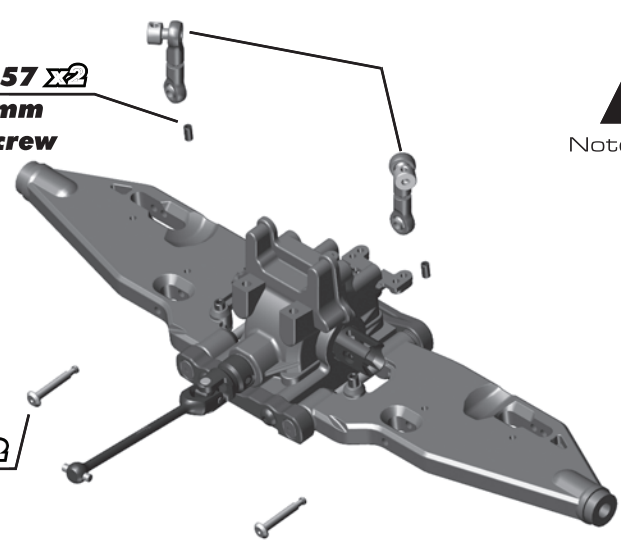


**:: Front Gearbox Build - Bag 5.1, 5.2, 5.3 - Step 5**



**81257 x2 3x6mm Set Screw**

**81197 x2 Shock Pin**



Note direction

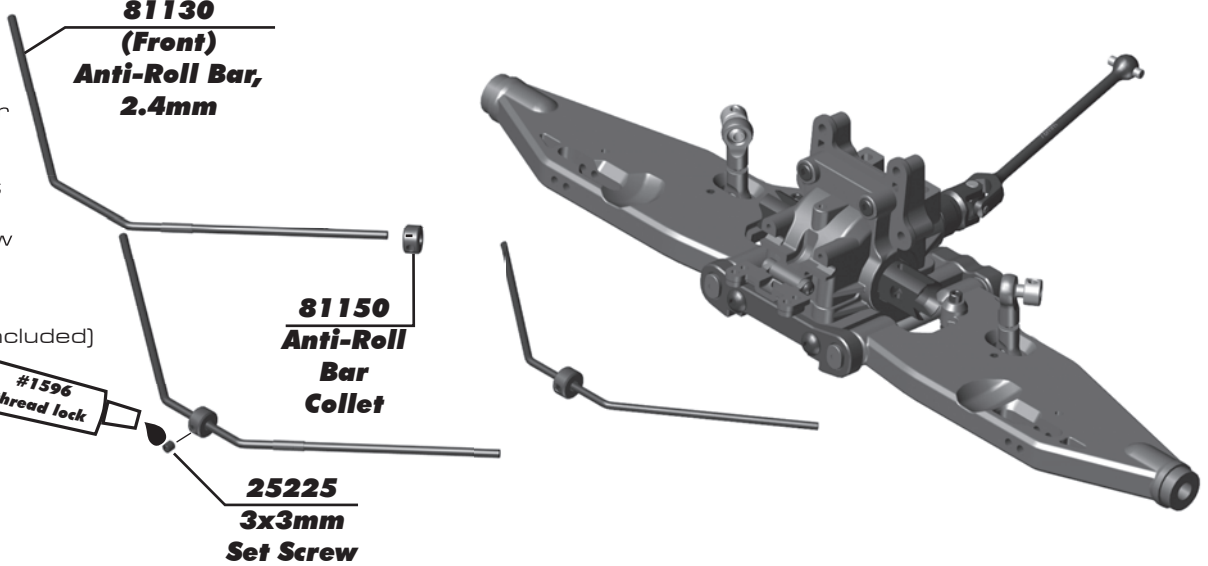
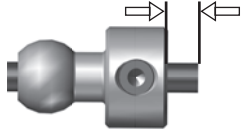
**:: Front Gearbox Build - Bag 5.1, 5.2, 5.3 - Step 6**



Center the Anti-Roll Bar Collet on the Anti-Roll Bar, then tighten the (#25225) 3x3mm set screw. Angle the set screw up slightly to allow access once installed.



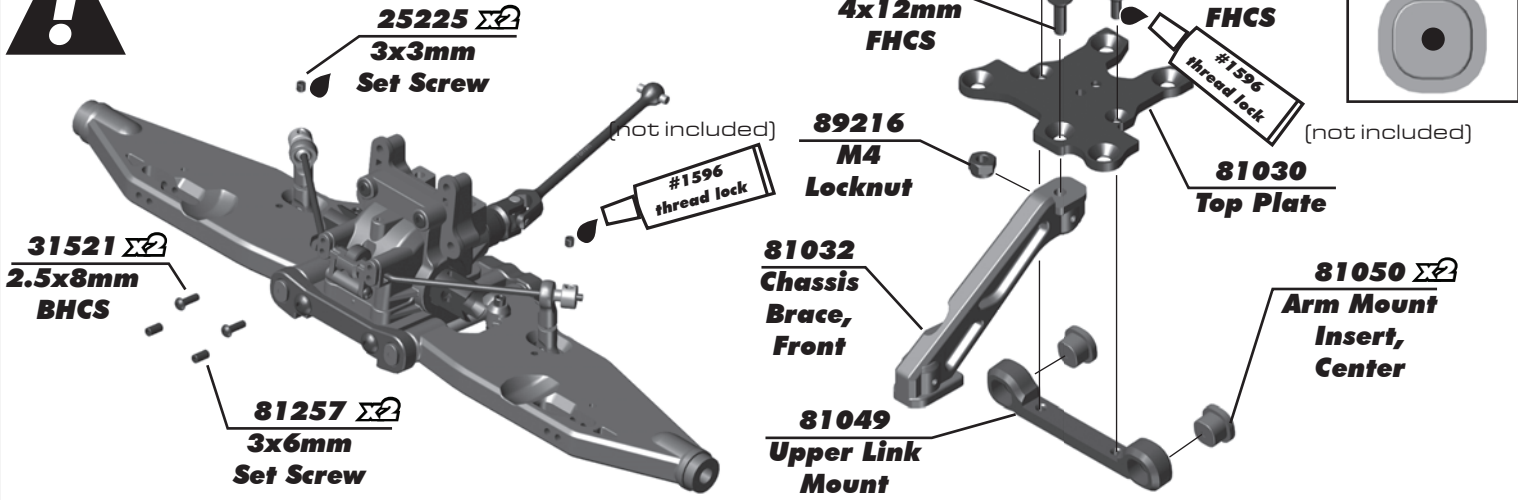
Front anti-roll bar gap: 2.0mm



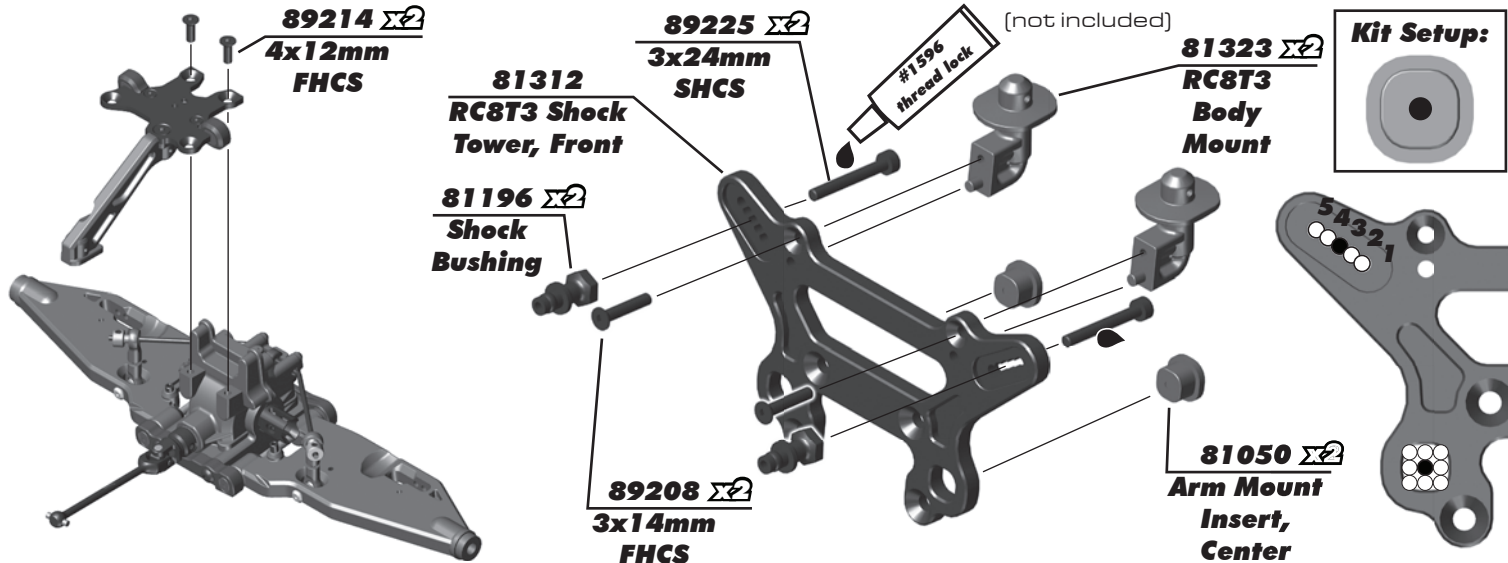
**:: Front Gearbox Build - Bag 5.1, 5.2, 5.3 - Step 7**



Tighten 3x6mm set screws just enough to still allow the anti-roll bar to move freely.



**:: Front Gearbox Build - Bag 5.1, 5.2, 5.3 - Step 8**



**:: Front Gearbox Build - Bag 5.1, 5.2, 5.3 - Step 9**

**Build left and right side!**

**25201**  $\Sigma 3$   
3x8mm  
FHCS

**81480**  
Front Arm  
Insert,  
Upper

**81480**  
Front Arm,  
Upper

**89214**  $\Sigma 4$   
4x12mm  
FHCS

**81317**  
Caster Clip,  
1.1mm

**81317**  
Caster Clip,  
1.0mm

**81060**  
Hinge Pin,  
Front Upper

**NOTE**  
Use caster shims here to adjust arm play.

Use included extra clips to finish shimming upper arm. Start with 1x1.0mm and 1x1.1mm

Do not overtighten screws!

**:: Steering Blocks Build - Bag 6.1, 6.2 - Step 1**

**Build left and right side!**

**81331**  
CVA Bone,  
133mm

**81328**  
CVA Coupler  
Pin

**#6588**  
black grease

**81328**  
CVA  
Coupler

**91566**  
15x21x4mm  
Bearing

**25225**  
3x3mm  
Set Screw

**89096**  
Wheel  
Hex Pin

**81326**  
CVA Axle,  
Steel

**81065**  
Steering  
Block

**91565**  
8x16x5mm  
Bearing,  
Flanged

**81319**  
Hex Drive,  
17mm,  
(Blue)

**81319**  
Hex Drive  
Clamp

**#1596**  
thread lock  
(not included)

**89221**  
5x4mm  
Set Screw

Slide the Hex Drive Clamp **PAST** the groove on the 17mm Hex Drive. Then install onto the CVA Drive Shaft.

Once the Wheel Hex Pin and 5x4mm Set Screw has been installed, slide the Hex Drive Clamp **IN** the groove on the 17mm Hex Drive.

**:: Steering Blocks Build - Bag 6.1, 6.2 - Step 2**

**81067**  $\Sigma 2$   
Pillow  
Ball, Steel

**25211**  
3x10mm  
BHCS

**25202**  $\Sigma 2$   
3x10mm  
FHCS

**81063**  
Steering  
Block Arm  
(+2 degree)

**#1596**  
thread lock  
(not included)

**81070**  $\Sigma 2$   
Pillow Ball  
Nut, Blue  
Aluminum

**81093**  
Turnbuckle  
Ball, 4mm

**81065**  $\Sigma 2$   
Pillow  
Ball Cap

Tighten pillow ball nut (#81070) until pillow ball (#81067) begins to bind, then loosen until pillow ball moves freely.

**:: Steering Blocks Build - Bag 6.1, 6.2 - Step 3**

**81056**  $\Sigma$ 2  
Suspension Arm Endcap

**81072**  
Pillow Ball Shim (0.70mm)

**25211**  
3x10mm BHCS

**81072**  
Pillow Ball Shim (0.35mm)

Note: Pillow balls have a 2.5mm hex in them for assembly.

**Pillow Ball Shims**  
0.35mm 0.70mm 1.40mm

Note the turnbuckle orientation!

Left Side Right Side

**:: Steering Blocks Build - Bag 6.1, 6.2 - Step 4**

**81262**  $\Sigma$ 2  
4x10mm FHCS

**89216**  
M4 Locknut, Black

**89214**  $\Sigma$ 2  
4x12mm FHCS

**25211**  
3x10mm BHCS

#1596 thread lock (not included)

**81447**  
Front Bumper

**81264**  $\Sigma$ 2  
4x20mm FHCS

**89214**  $\Sigma$ 2  
4x12mm FHCS

**Kit Setup:**  
1 2 3

For attaching steering link to steering rack

Install center universal underneath steering rack

**:: Steering Blocks Build - Bag 6.1, 6.2 - Step 5**

**25612**  
M3 Locknut with flange, Black

**81197**  
Shock Pin

**81257**  
3x6mm Set Screw

**Kit Setup:**  
Mount the front shock in the outside hole on the front arm.

**Kit Setup:**  
Mount the front shock in the outside hole on the front arm.

**:: Rear End Build - Bag 7.1, 7.2, 7.3 - Step 1**

**Racer's Tip:**  
Use black grease (#6588) to lube the Diff Pinion gear before installation!

**81015 Gearbox, (Inboard)**

**91561  $\Sigma 2$  6x12x4mm FT Bearing**

**81007 Diff Pinion Gear, 10T**

**#6588 black grease**

**81015 Dust Cap**

**4675 2.5x6mm FHCS**

**81023 Center Universal, (165mm)**

**#1596 thread lock** (not included)

**89221 5x4mm Set Screw**

**:: Rear End Build - Bag 7.1, 7.2, 7.3 - Step 2**

**NOTE:**  
Install the REAR Diff!

**STEP 1**

**81381 Diff Shim 13.5x15.8x0.20mm**

**81015 Gearbox, (Outboard)**

**25620  $\Sigma 2$  3x10mm SHCS**

**#6588 black grease**

**81015 Anti-Roll Bar Cap**

**81259 2.5x18mm BHCS**

**STEP 2**

**Step 1:**  
Add shims on this side to TIGHTEN gear mesh. Subtract shims on this side to LOOSEN gear mesh. New plastic may fit 2 total shims.

**Step 2:**  
Add or subtract shims here to finalize diff side to side play once gear mesh is set from Step 1. Recommended diff side to side clearance [gearbox assembly] 0.10 - 0.25mm.

**Notes:**  
0.1 mm shim can be used for fine tuning of gear mesh. After running, recheck and add third shim to keep shimming tight.

**:: Rear End Build - Bag 7.1, 7.2, 7.3 - Step 3**

**Kit Setup:**

**81454 RC8B3.2 Arm Mount HRC, Narrow (C)**

**81050  $\Sigma 2$  Arm Mount Insert, Center**

**81260  $\Sigma 2$  4x14mm BHCS**

**Drop Screw Kit Setup: 4.0mm**

**89317 Drop Screw**

**31532  $\Sigma 2$  3x8mm BHCS**

**81472 RC8T3.2 Rear Arm**

**81472 RC8T3.2 Rear Arm Insert**

**25201  $\Sigma 4$  3x8mm FHCS**

**Build left and right arm!**

**Do not overtighten screws!**



**:: Rear End Build - Bag 7.1, 7.2, 7.3 - Step 4**

**Kit Setup:**

**81446**  
Suspension  
Arm Shim

**81060**  
Hinge  
Pin

**81050 x2**  
Arm Mount  
Insert,  
Center

**81260 x2**  
4x14mm  
BHCS

**81455**  
Arm Mount  
HRC, Narrow  
(D)

**81150**  
Anti-Roll  
Bar Rod  
End

**81258**  
3x12mm  
Set Screw

**81150**  
Rod End  
Ball

**81150**  
Anti-Roll  
Bar Pivot

0mm

**:: Rear End Build - Bag 7.1, 7.2, 7.3 - Step 5**

Center the anti-roll bar collet on the anti-roll bar, then tighten the 3x3mm set screw.

**81257 x2**  
3x6mm  
Set Screw

**81140**  
(Rear) Anti-Roll  
Bar, 2.8mm

**81150**  
Anti-Roll  
Bar  
Collet

**25225**  
3x3mm  
Set Screw

**81197 x2**  
Shock  
Pin

(not included)

#1596  
thread lock

#1596  
thread lock

**Left Side**      **Right Side**

**Anti-Roll Bar Pivots:**  
Offset the anti-roll bar  
rod ends  
(approximately 45 degrees).

**:: Rear End Build - Bag 7.1, 7.2, 7.3 - Step 6**

**25225 x2**  
3x3mm  
Set Screw

#1596  
thread lock

#1596  
thread lock

(not included)

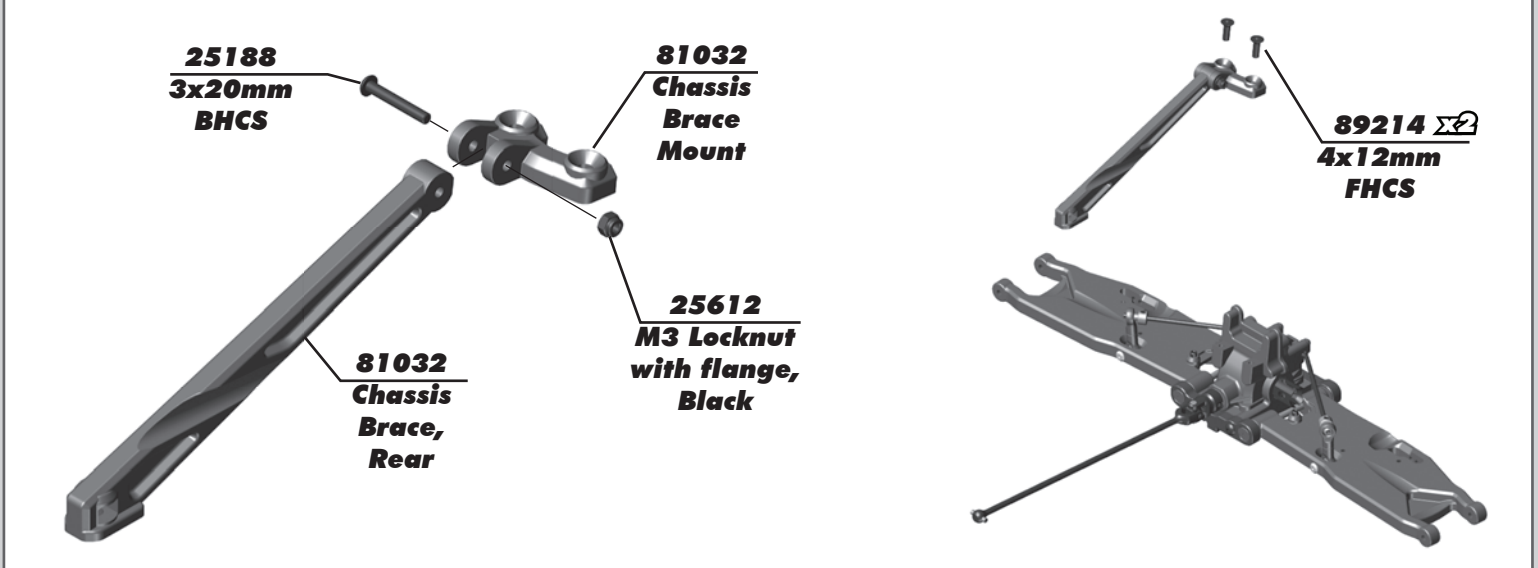
**31521 x2**  
2.5x8mm  
BHCS

**81257 x2**  
3x6mm  
Set Screw

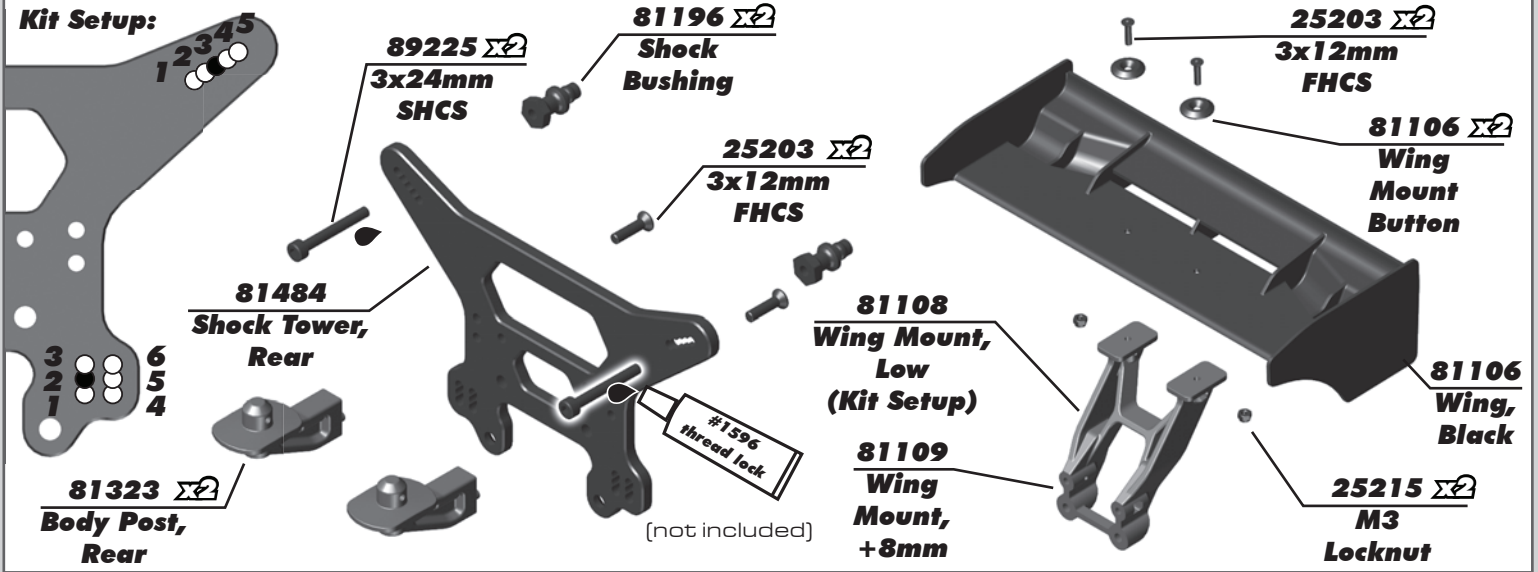
Rear Anti-Roll  
Bar Gap: 0mm

Tighten 3x6mm set screws just enough to still allow the anti-roll bar to move freely.

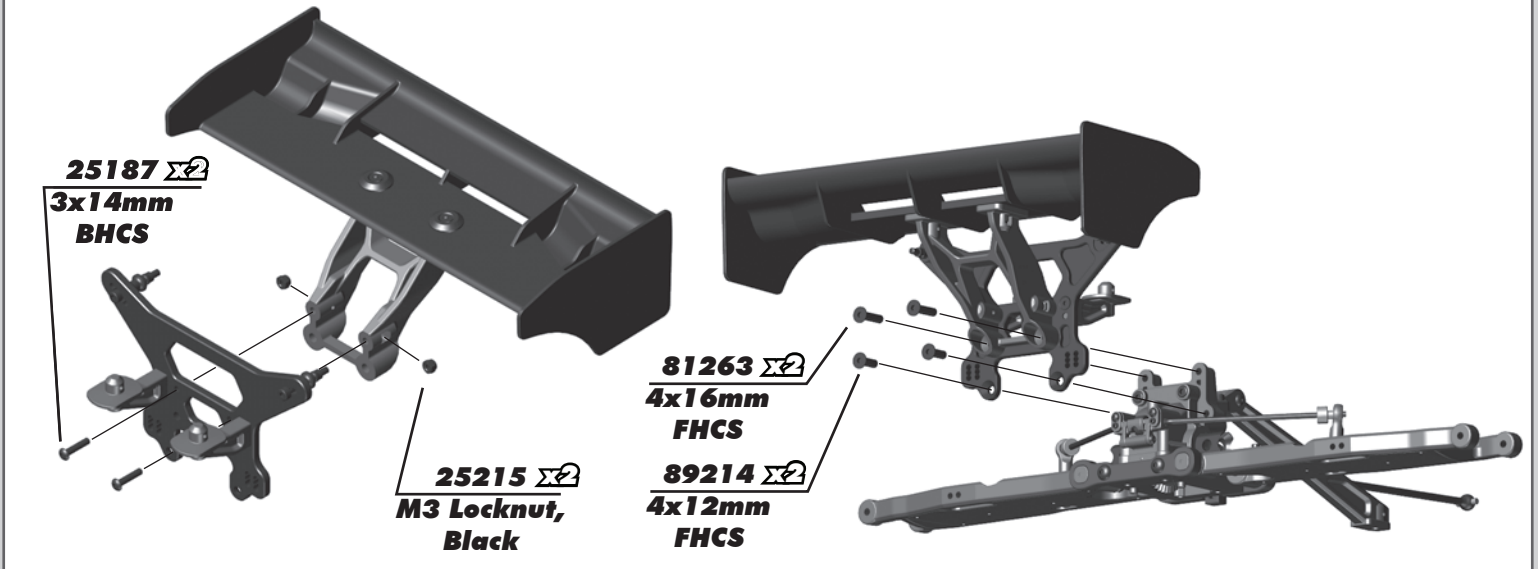
**:: Rear End Build - Bag 7.1, 7.2, 7.3 - Step 7**



**:: Rear End Build - Bag 7.1, 7.2, 7.3 - Step 8**



**:: Rear End Build - Bag 7.1, 7.2, 7.3 - Step 9**



**:: Rear Hubs Build - Bag 8.1, 8.2 - Step 1**

**81331**  
CVA Bone, 133mm

**91566**  
15x21x4mm Bearing

**81328**  
CVA Coupler Pin

**81328**  
CVA Coupler

**81326**  
CVA Axle, Steel

**25225**  
3x3mm Set Screw

**81075**  
Rear Hub

**91565**  
8x16x5mm Bearing, Flanged

**89096**  
Wheel Hex Pin

**81319** (not included)  
Hex Drive, 17mm Offset (Blue)

**89221**  
5x4mm Set Screw

**81319**  
Hex Drive Clip, 17mm

**#6588**  
black grease

**#1596**  
thread lock

**!**  
Slide the Hex Drive Clamp **PAST** the groove on the 17mm Hex Drive when installing onto the CVA Drive Shaft.

**Clamp**

**Clamp**

Once the Wheel Hex Pin and 5x4mm Set Screw has been installed, slide the Hex Drive Clamp **IN** the groove on the 17mm Hex Drive.

**:: Rear Hubs Build - Bag 8.1, 8.2 - Step 2**

**Kit Setup:**  
Mount the rear camber link in the outside hole on the rear hub.

**Kit Setup:**  
Mount the rear hub to the rear arm in the upper hole.

**25612**  
M3 Locknut with flange, Black

**81075**  
Rear Hub Shim, 2.5mm

**81076**  
Hub Hinge Pin

**81075**  
Rear Hub Shim, 1.0mm & 1.5mm

**25211**  $\times 2$   
3x10mm BHCS

**25612**  
M3 Locknut with flange, Black

**89204**  
3x24mm BHCS

**6**  
**5**  
**4**

**3**  
**2**  
**1**

**:: Rear Hubs Build - Bag 8.1, 8.2 - Step 3**

**Kit Setup:**  
Mount the rear shock in the inside hole on the rear arm.

**89216**  
M4 Locknut, Black

**81264**  $\times 2$   
4x20mm FHCS

**89214**  $\times 3$   
4x12mm FHCS

**25612**  
M3 Locknut with flange, Black

**81197**  
Shock Pin

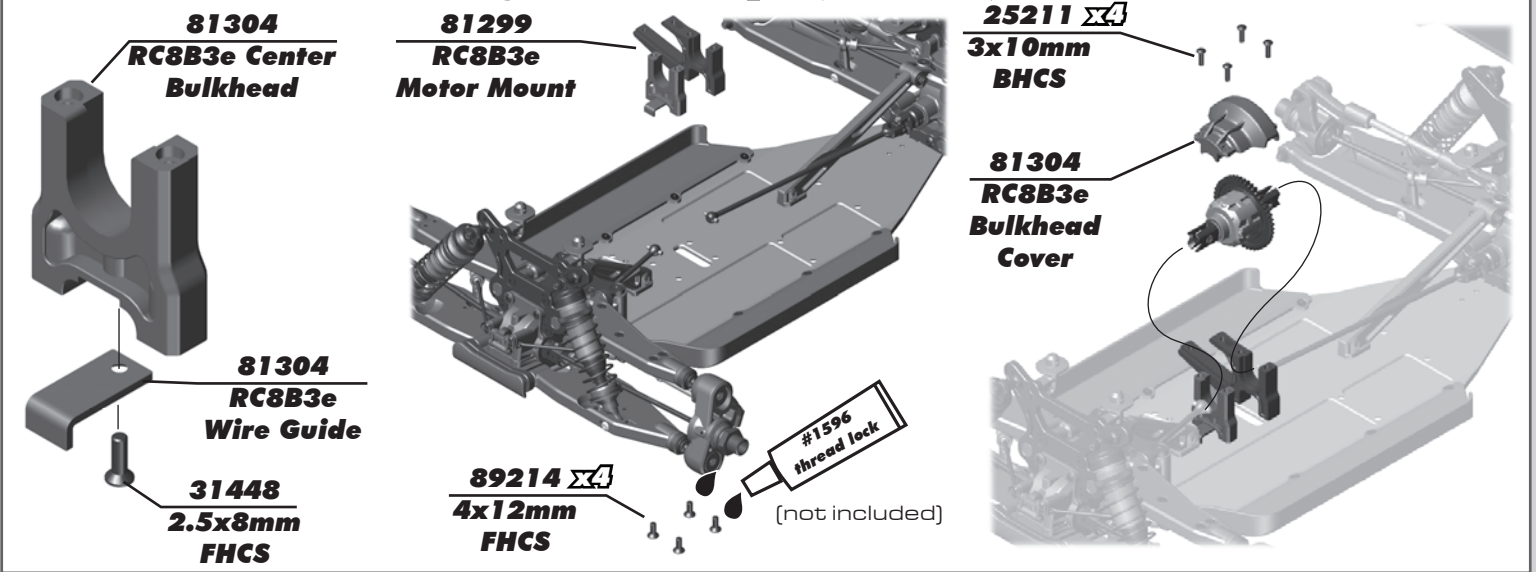
**81257**  
3x6mm Set Screw

**RC8T3.2e Electric Kit and RC8T3.2 Nitro Kit**

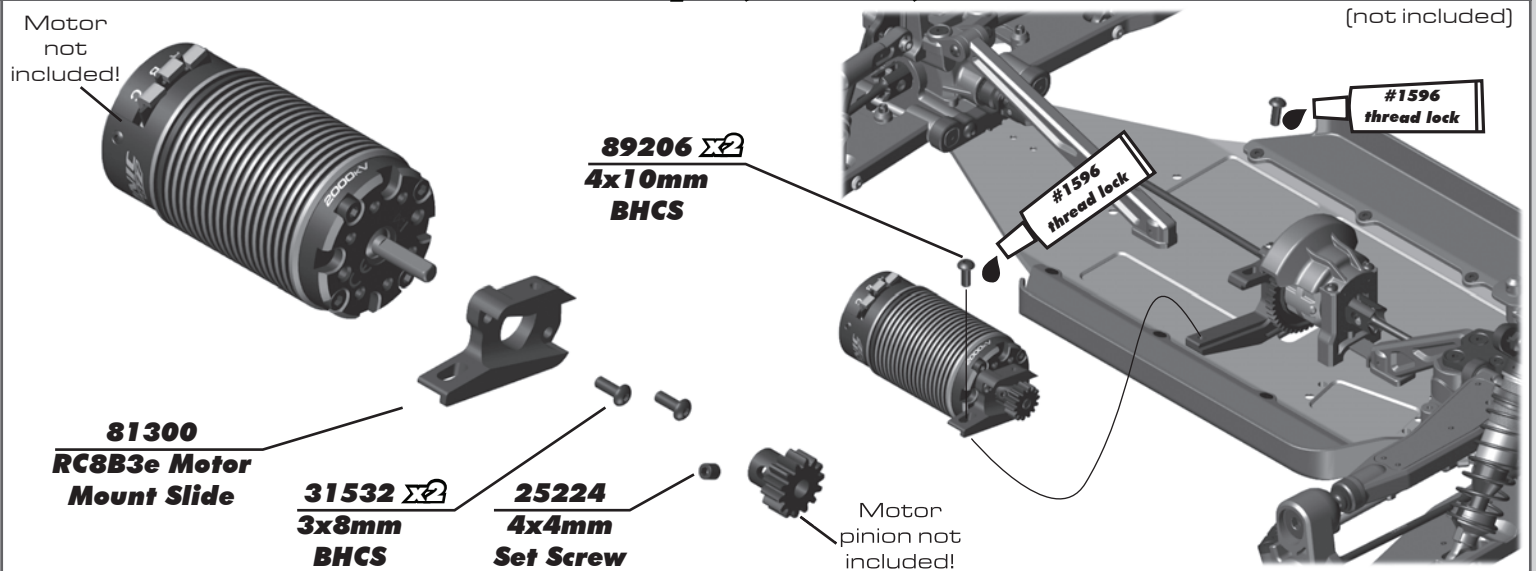
**If you are building an RC8T3.2e Electric kit, continue on to Center Bulkhead Build below this step.**

**If you are building an RC8T3.2 Nitro kit, go to page 23 to build the Center Bulkhead.**

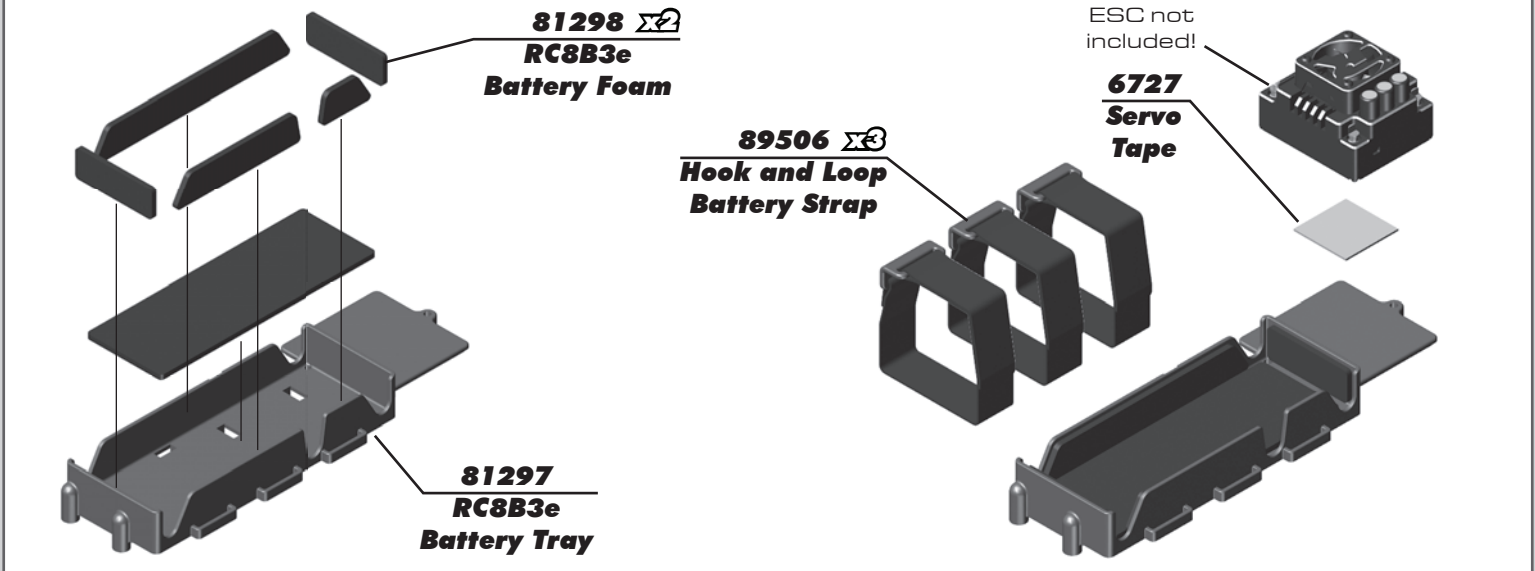
**:: Center Bulkhead Build - Bag 9.1, 9.2 - Step 1 (RC8T3.2e)**



**:: Center Bulkhead Build - 9.1, 9.2 - Step 2 (RC8T3.2e)**



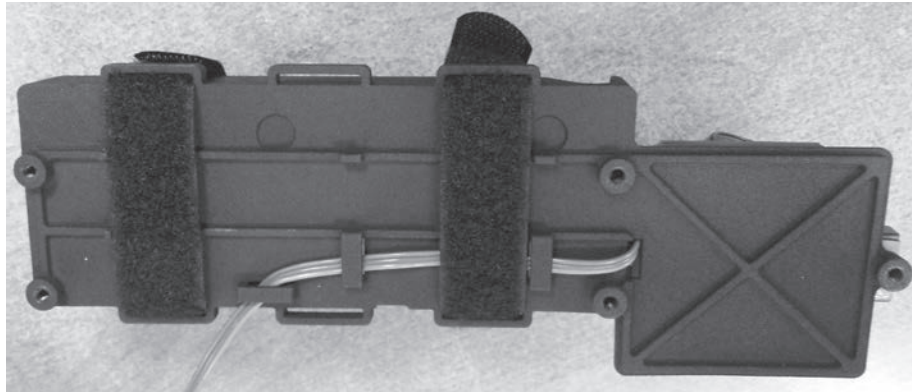
**:: Battery Tray Build - Bag 10.1, 10.2 - Step 1 (RC8T3.2e)**



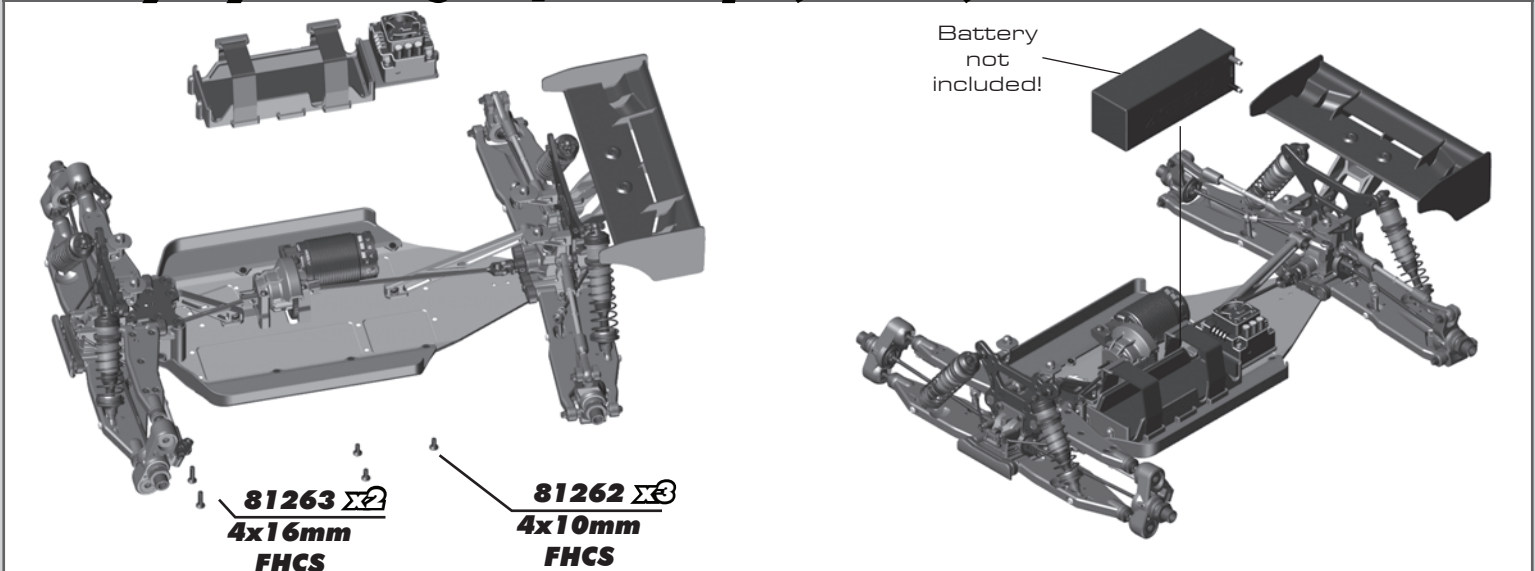
**:: Battery Tray Build - Bag 10.1, 10.2 - Step 2 (RC8T3.2e)**



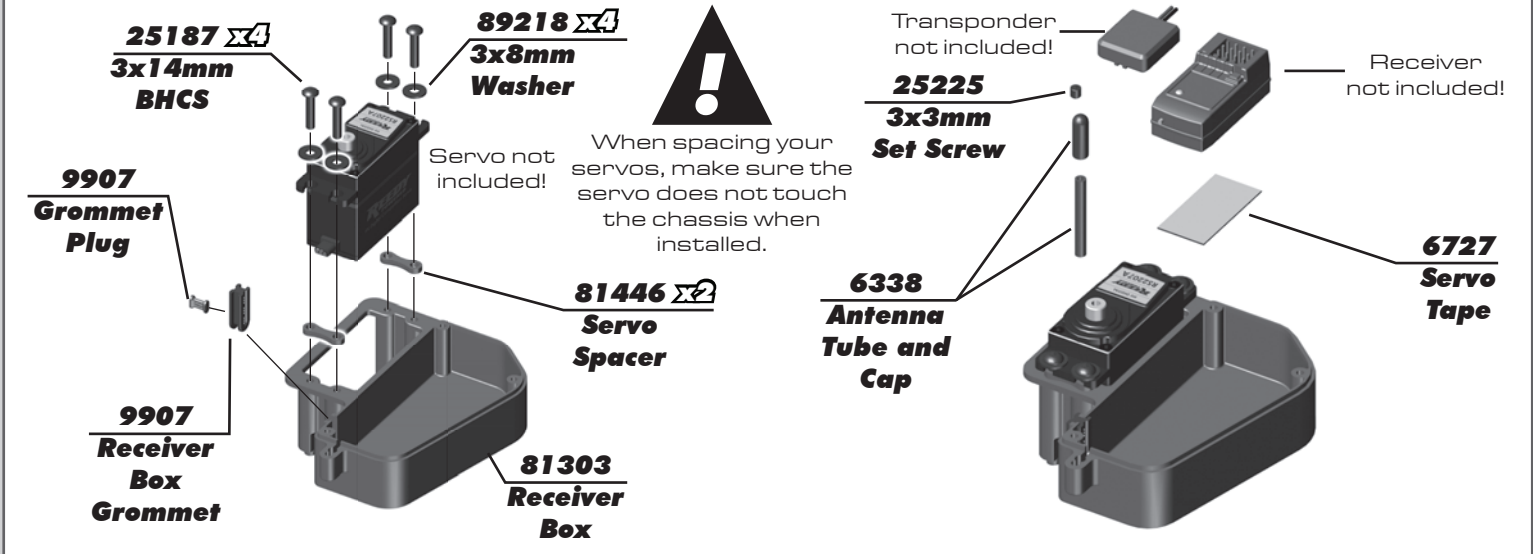
Install the ESC wire as shown first.  
Then run the hook and loop straps  
as shown.



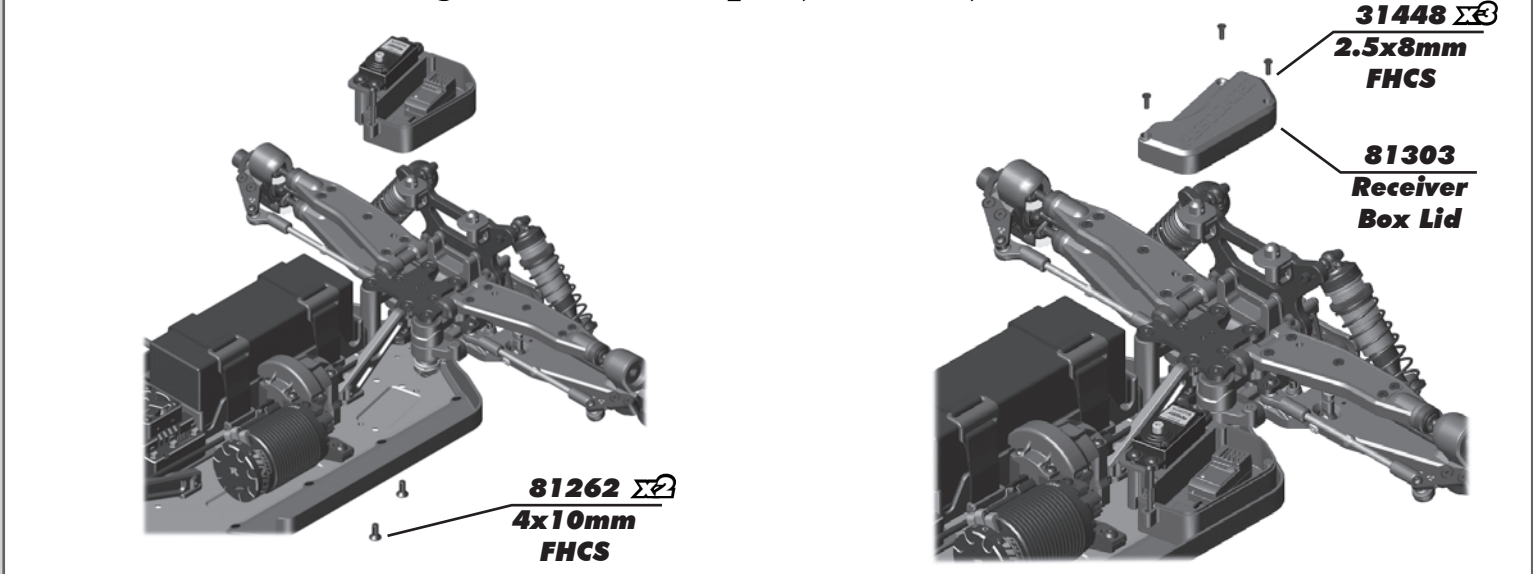
**:: Battery Tray Build - Bag 10.1, 10.2 - Step 3 (RC8T3.2e)**



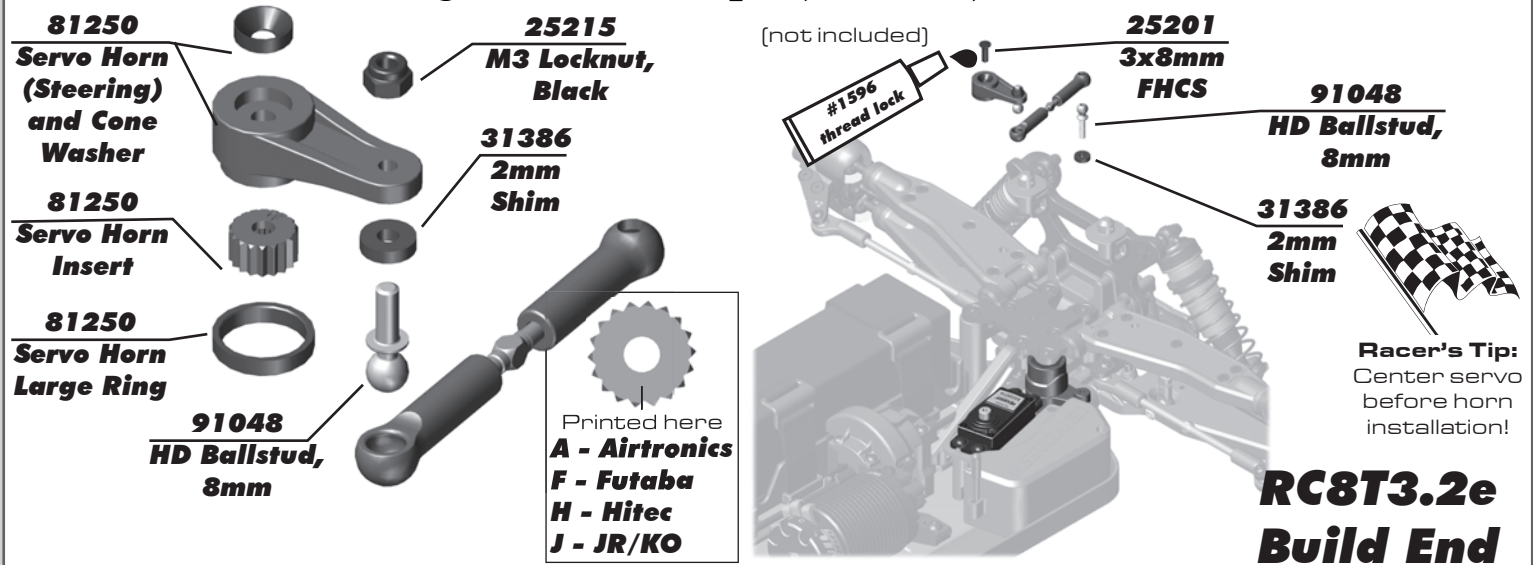
**:: Receiver Box Build - Bag 11.1, 11.2 - Step 1 (RC8T3.2e)**



**:: Receiver Box Build - Bag 11.1, 11.2 - Step 2 (RC8T3.2e)**

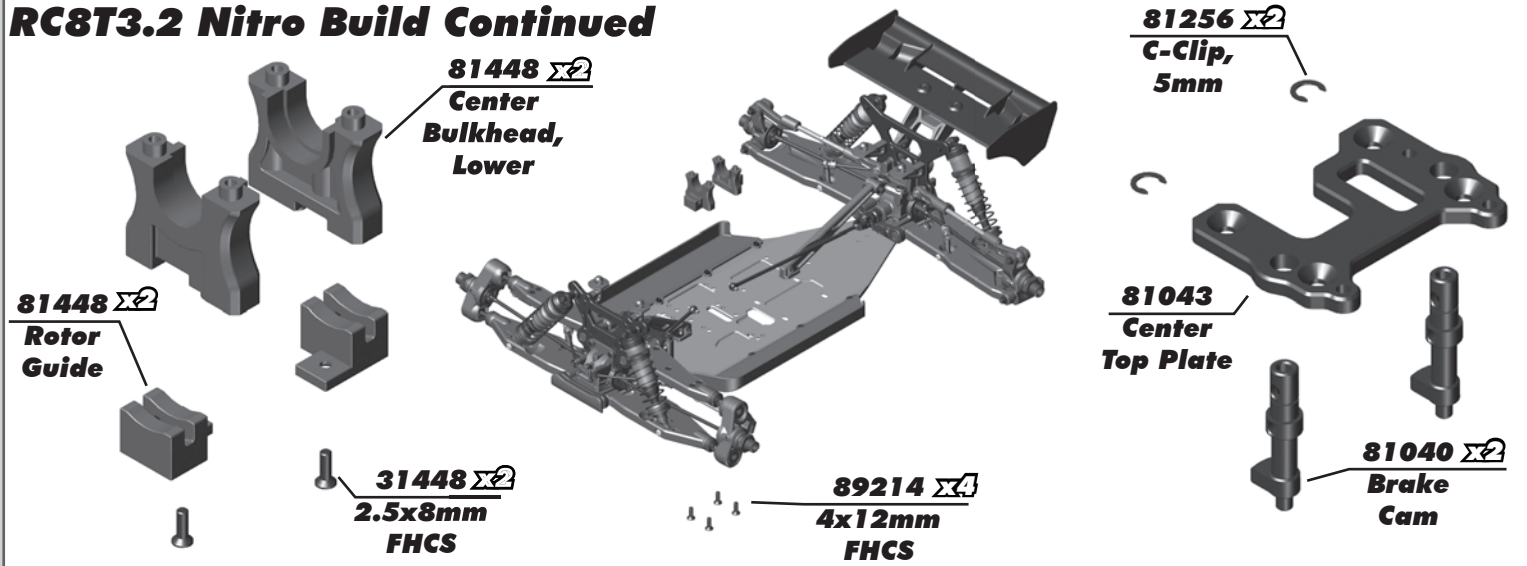


**:: Receiver Box Build - Bag 11.1, 11.2 - Step 3 (RC8T3.2e)**

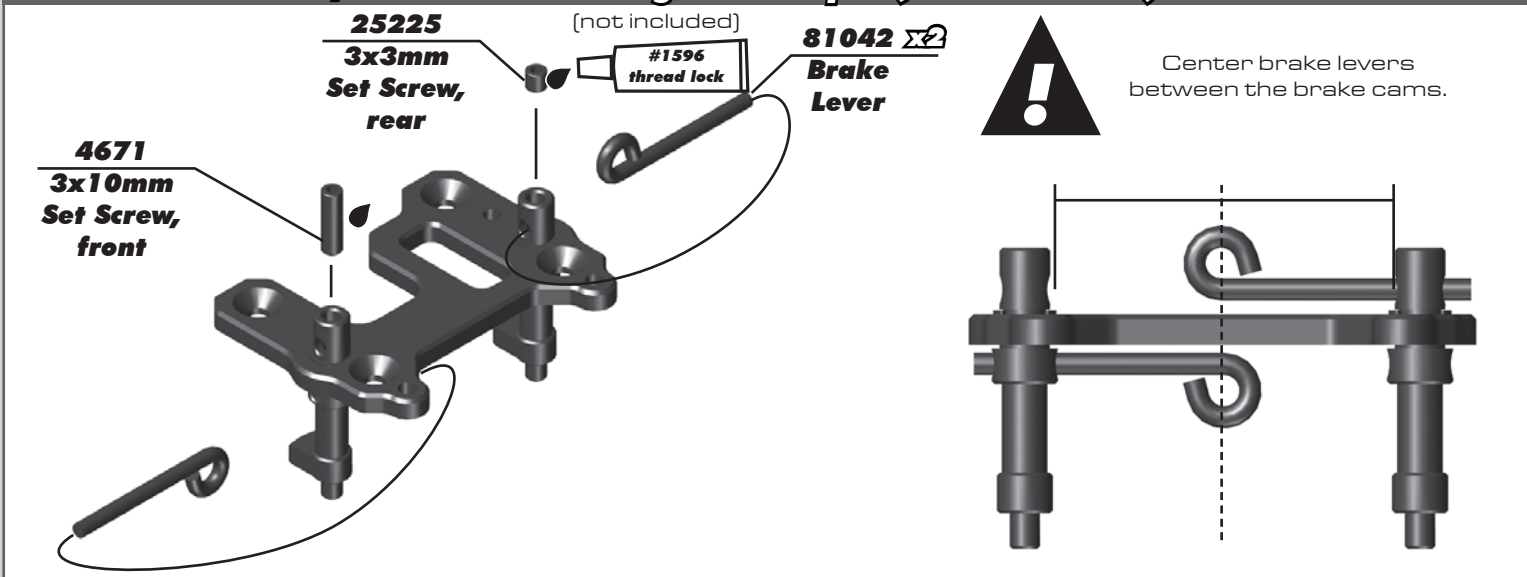


**:: Center Bulkhead / Brakes Build - Bag 9.1 - Step 1 (RC8T3.2 Nitro)**

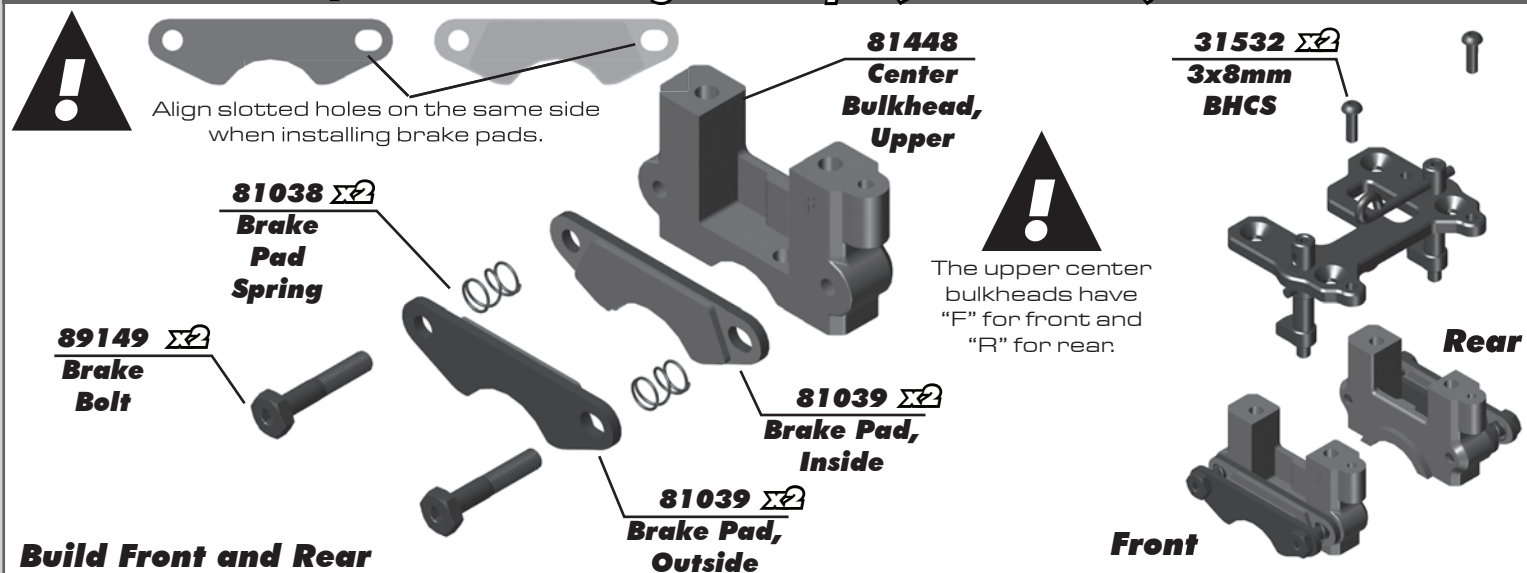
**RC8T3.2 Nitro Build Continued**



**:: Center Bulkhead / Brakes Build - Bag 9.1 - Step 2 (RC8T3.2 Nitro)**

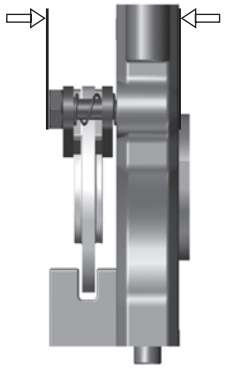


**:: Center Bulkhead / Brakes Build - Bag 9.1 - Step 2 (RC8T3.2 Nitro)**



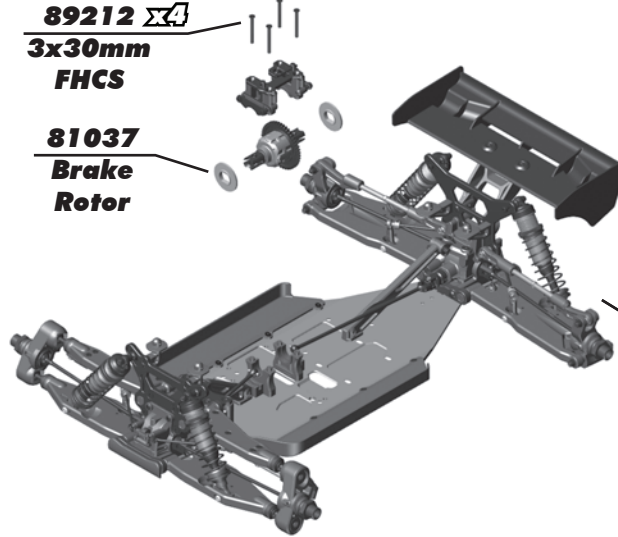
**:: Center Bulkhead - 9.1 - Step 4 (RC8T3.2 Nitro)**

18.40mm (0.72")



89212  $\Sigma$ 4  
3x30mm  
FHCS

81037  
Brake  
Rotor



Note direction of center diff.

**:: Linkages Build - Bag 10.1 - Step 1 (RC8T3.2 Nitro)**

7184  
2x16mm  
SHCS

81251  $\Sigma$ 3  
Servo  
Horn Pivot

81251  
Pivot  
Bushing,  
Brake

81250  
Servo Horn,  
Throttle

81250  
Servo Horn,  
Ring

81250  
Cone  
Washer

81251  
2x10mm  
SHCS

81251  $\Sigma$ 3  
Washer

81251  
Pivot  
Bushing,  
Throttle

81250  
Servo Horn  
Insert

(not included)  
#1596  
thread lock

81251  
Throttle  
Link

81251  
Throttle  
Spring


81251  
Set Collar

81251  
Throttle  
Ball Cup

81251  $\Sigma$ 2  
Brake  
Link

81251  $\Sigma$ 3  
Brake Bias  
Collar

25225  $\Sigma$ 4  
3x3mm  
Set Screw

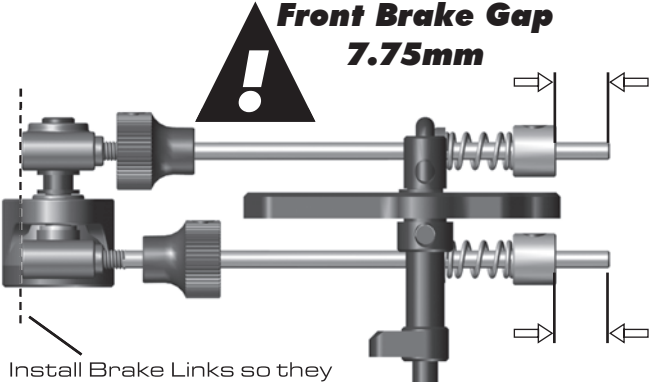


Printed here  
A - Airtronics  
F - Futaba  
H - Hitec  
J - JR/KO

**:: Linkages Build - Bag 10.1 - Step 2 (RC8T3.2 Nitro)**

**Recommended Starting Positions:**

**Front Brake Gap**  
7.75mm



Install Brake Links so they are flush with the back of the servo horn pivots.

**Rear Brake Gap**  
4.5mm

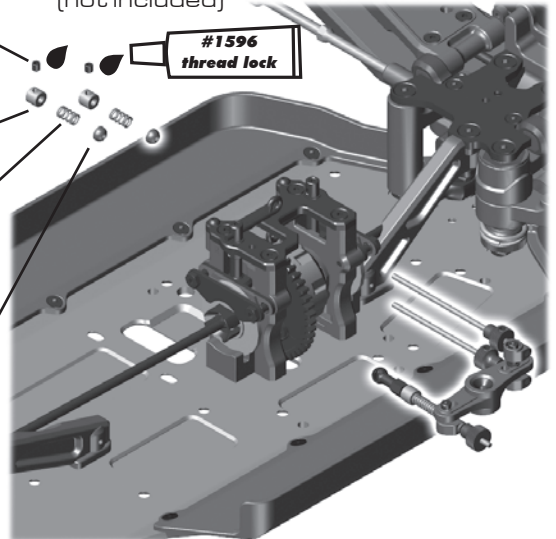
(not included)  
#1596  
thread lock

25225  $\Sigma$ 2  
3x3mm  
Set Screw

81251  $\Sigma$ 2  
Set Collar

81251  $\Sigma$ 2  
Brake  
Spring

81251  $\Sigma$ 2  
Brake Linkage  
Spring Ball





**:: Linkages Build - Bag 10.1 - Step 3 (RC8T3.2 Nitro)**

Printed here  
**A - Airtronics**  
**F - Futaba**  
**H - Hitec**  
**J - JR/KO**

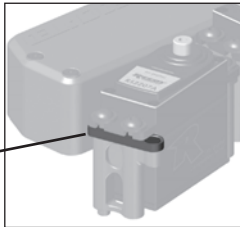
**:: Radio Tray Build - Bag 11.1 - Step 1 (RC8T3.2 Nitro)**

**Radio Tray Configuration:**

The radio tray on RC8B3.2 can be configured in four different ways. Each configuration changes the amount and location of flex in the chassis.

Experiment with different configurations when running on different surfaces.

When removing either graphite radio tray brace or transponder mount, utilize included plastic shims to maintain proper servo height.

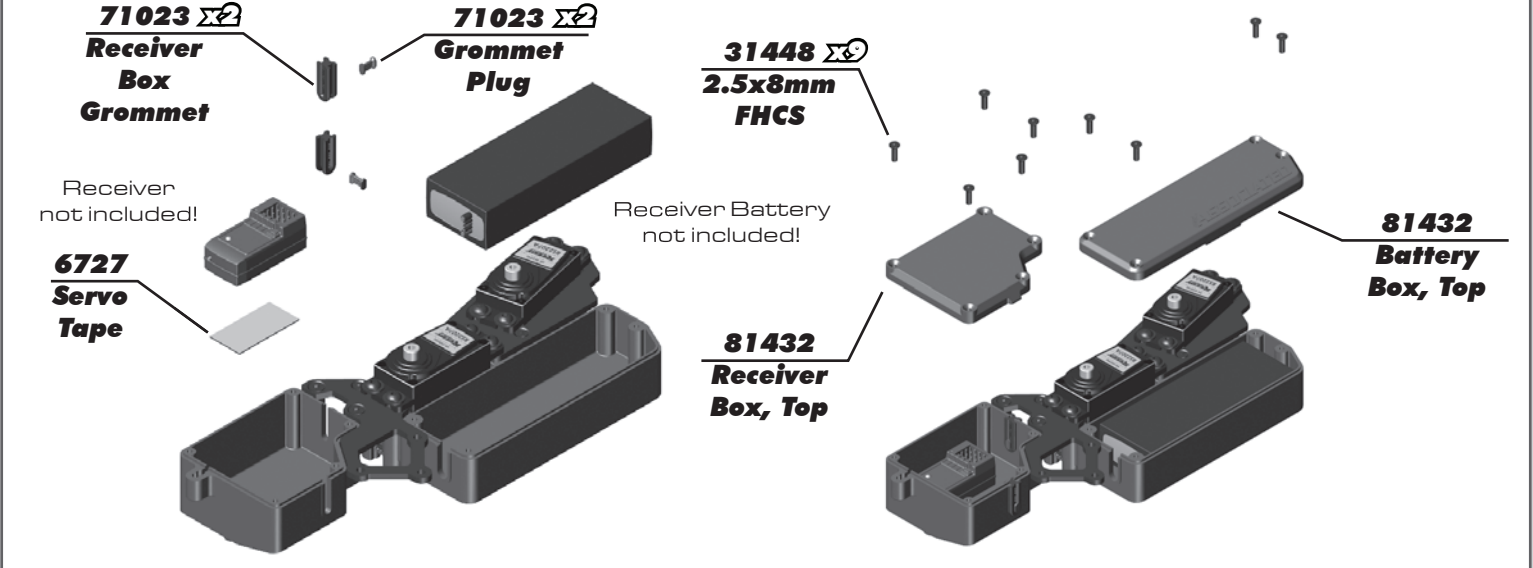


**81433**  
**Radio Tray**  
**Spacer**

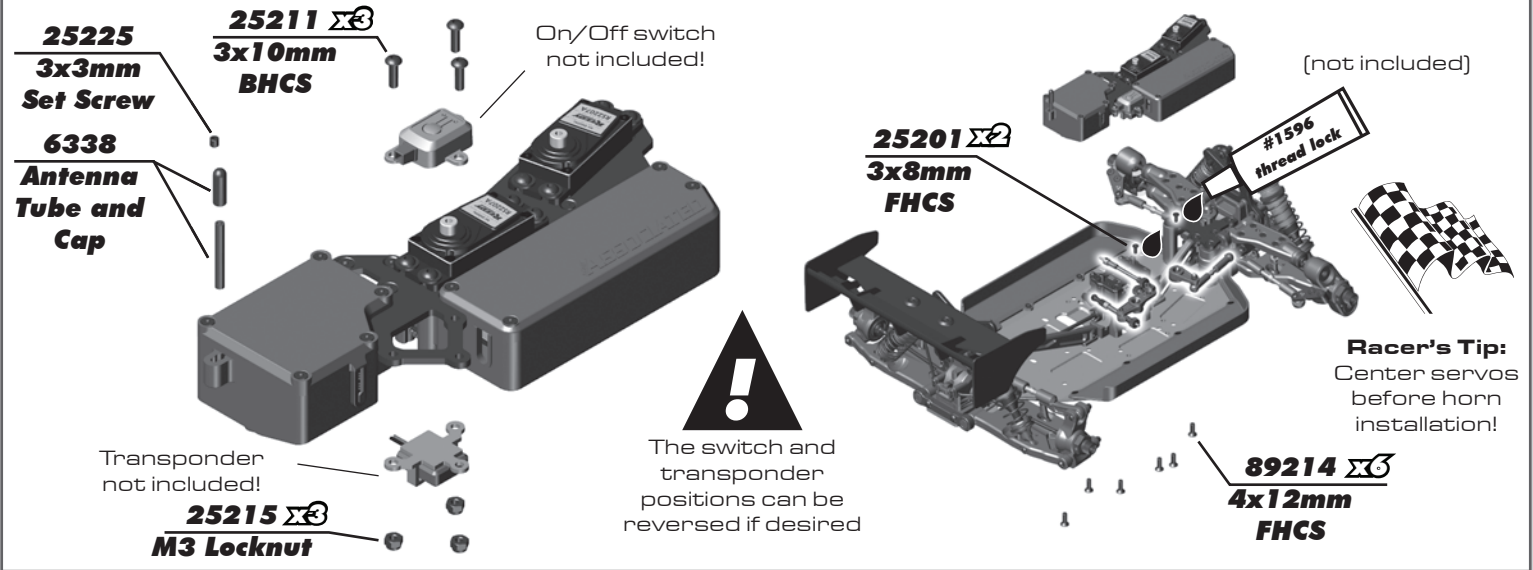
Option 1	Option 2	Option 3	Option 4
<b>Least Flex</b> <b>(Kit Setup)</b>	<b>Most Flex</b>	<b>More Rearward</b> <b>Flex</b>	<b>More Frontward</b> <b>Flex</b>

**:: Radio Tray Build - Bag 11.1 - Step 2 (RC8T3.2 Nitro)**

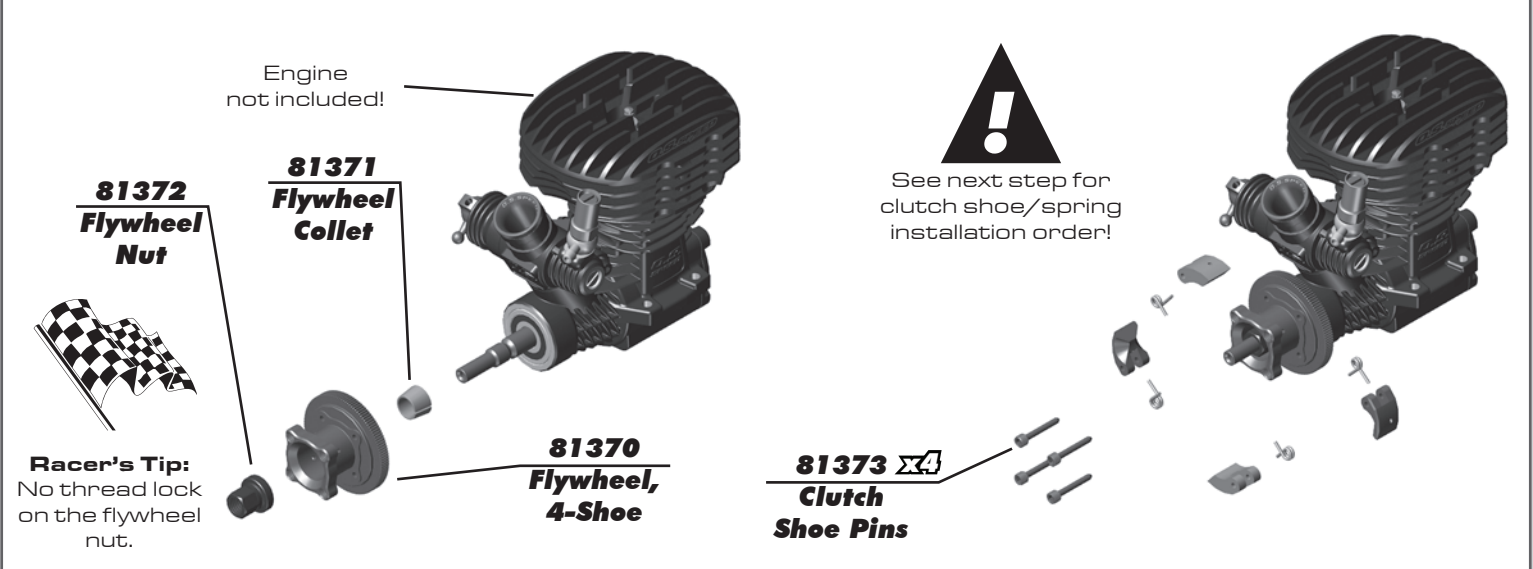
**:: Radio Tray Build - Bag 11.1 - Step 3 (RC8T3.2 Nitro)**



**:: Radio Tray Build - Bag 11.1 - Step 4 (RC8T3.2 Nitro)**



**:: Clutch / Filter Build - Bag 12.1, 12.2 - Step 1 (RC8T3.2 Nitro)**

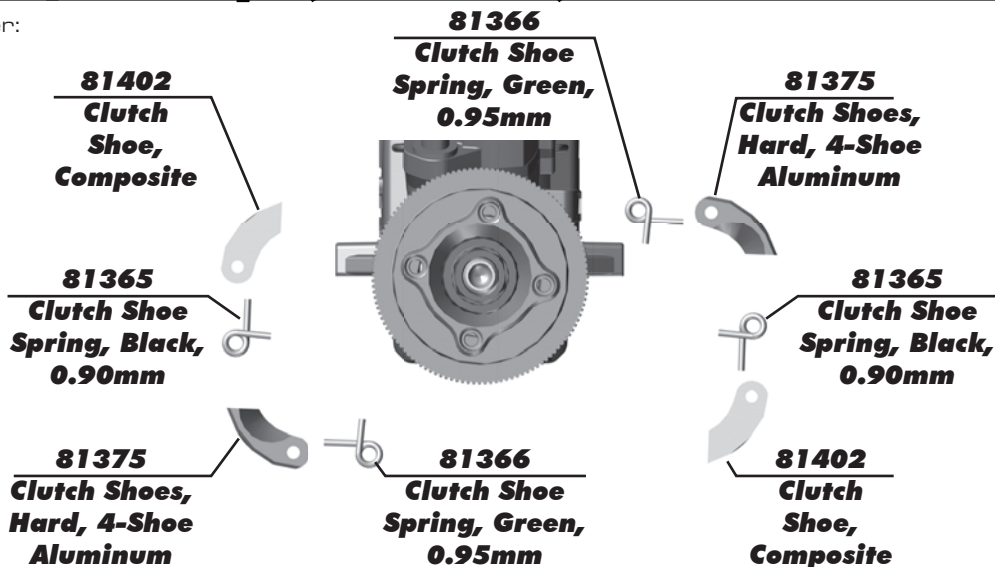


**:: Clutch / Filter Build - Bag 12.1, 12.2 - Step 2 (RC8T3.2 Nitro)**

Clutch Shoe / Spring Installation Order:



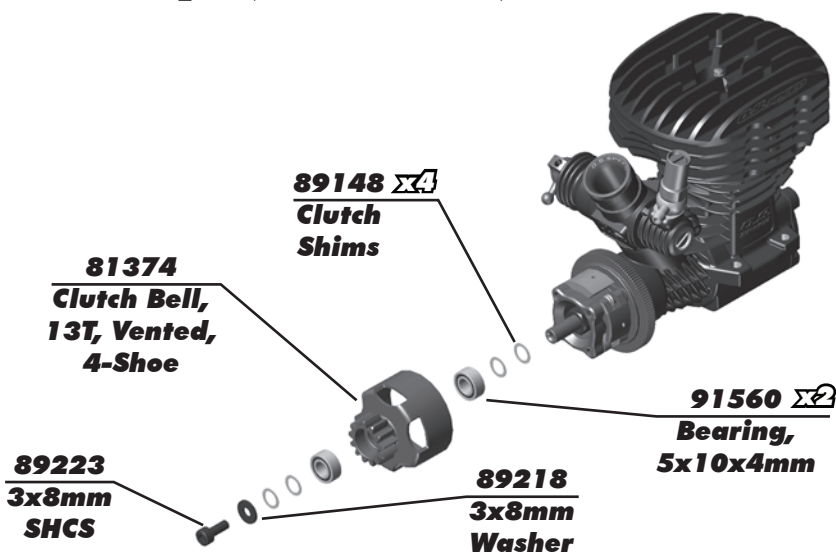
Short end of clutch shoe spring installed into flywheel.  
Long end of clutch shoe spring installed into clutch shoe.



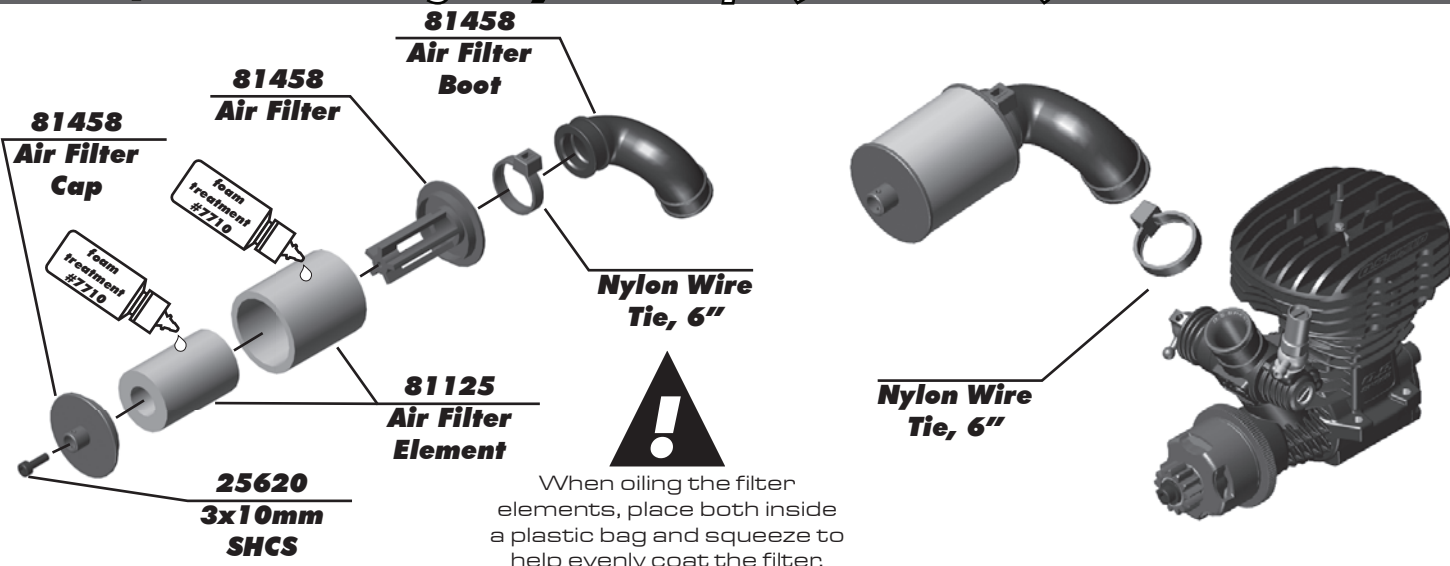
**:: Clutch / Filter Build - Bag 12.1, 12.2 - Step 3 (RC8T3.2 Nitro)**

Clutch shimming instructions:

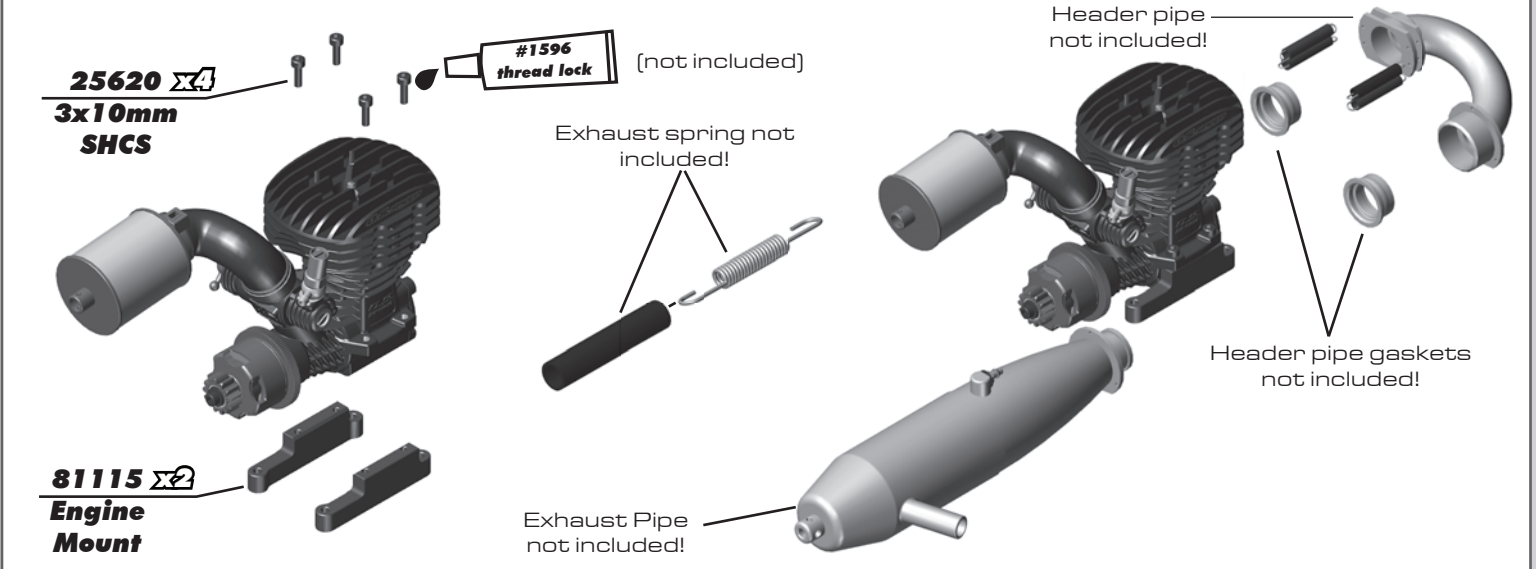
- Build assembly with shims as shown
- If clutchbell does not spin freely:
  - A) Move shim from behind clutch bell to in front of clutch bell
  - B) Remove one shim from front of clutch bell
- Recommended axial play in clutch bell = 0.2mm - 0.5mm



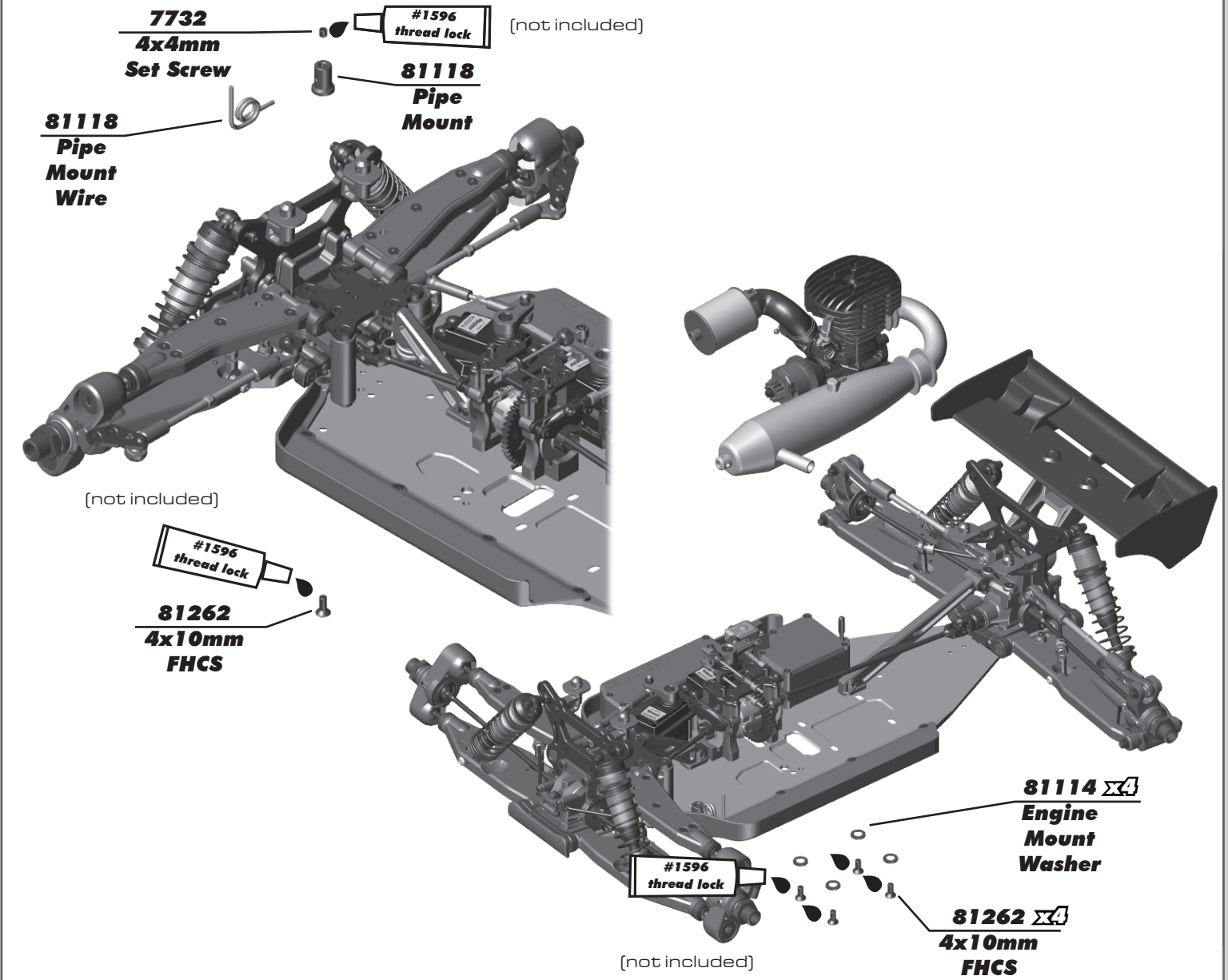
**:: Clutch / Filter Build - Bag 12.1, 12.2 - Step 4 (RC8T3.2 Nitro)**



**:: Clutch / Filter Build - Bag 12.1, 12.2 - Step 5 (RC8T3.2 Nitro)**



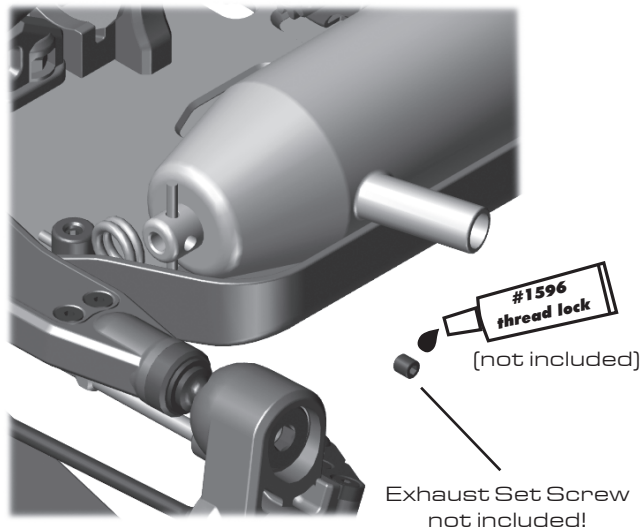
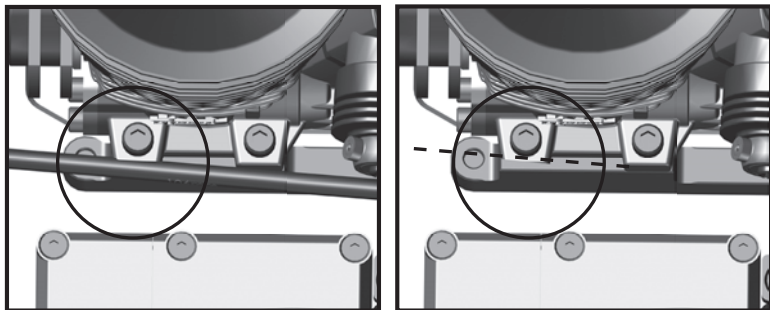
**:: Clutch / Filter Build - Bag 12.1, 12.2 - Step 6 (RC8T3.2 Nitro)**



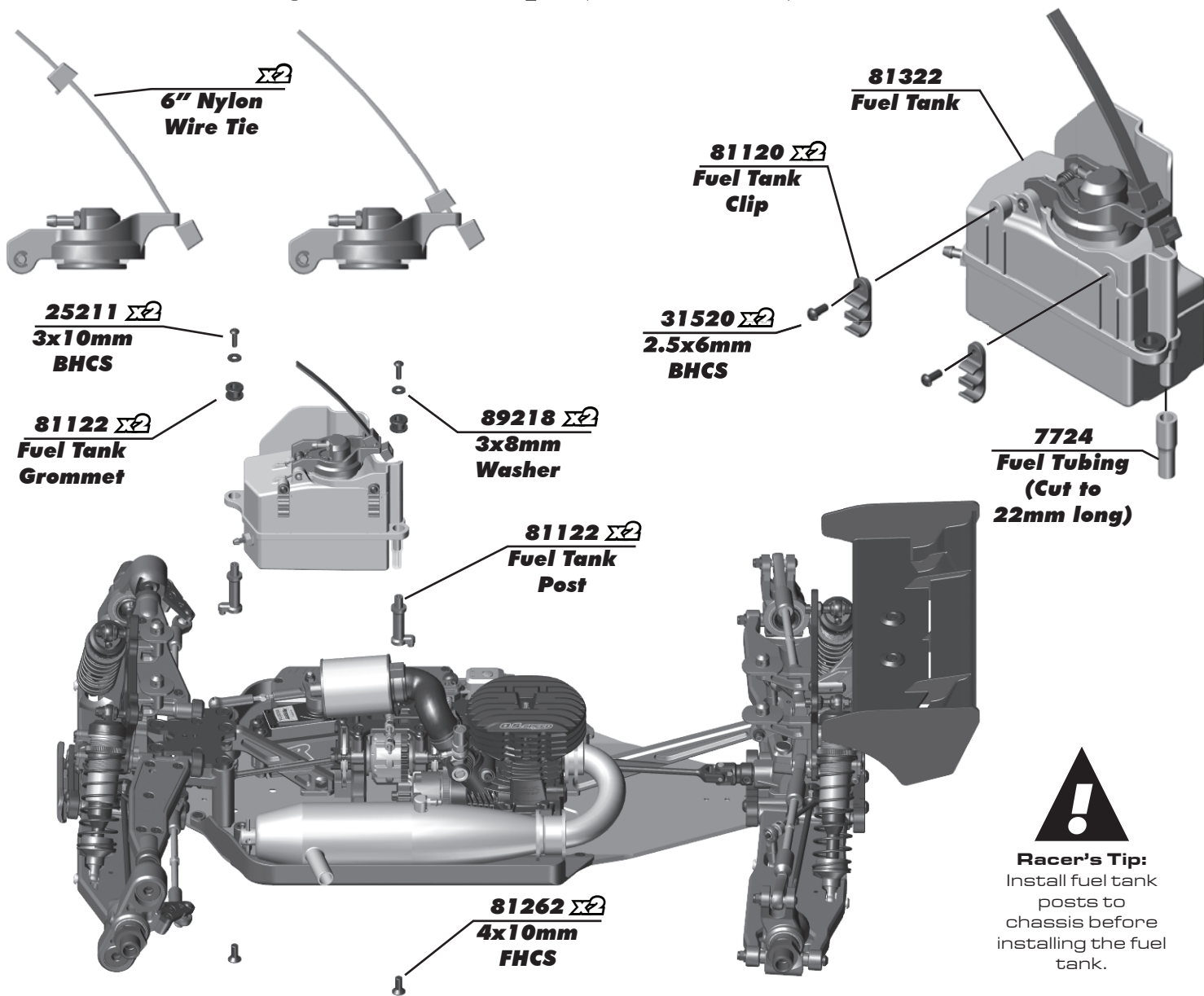
**:: Clutch / Filter Build - Bag 12.1, 12.2 - Step 7 (RC8T3.2 Nitro)**



When installing your engine, make sure the rear drive shaft does not interfere with the engine block. You may need to remove material from the engine block for fitment.



**:: Fuel Tank Build - Bag 13.1, 13.2 - Step 1 (RC8T3.2 Nitro)**

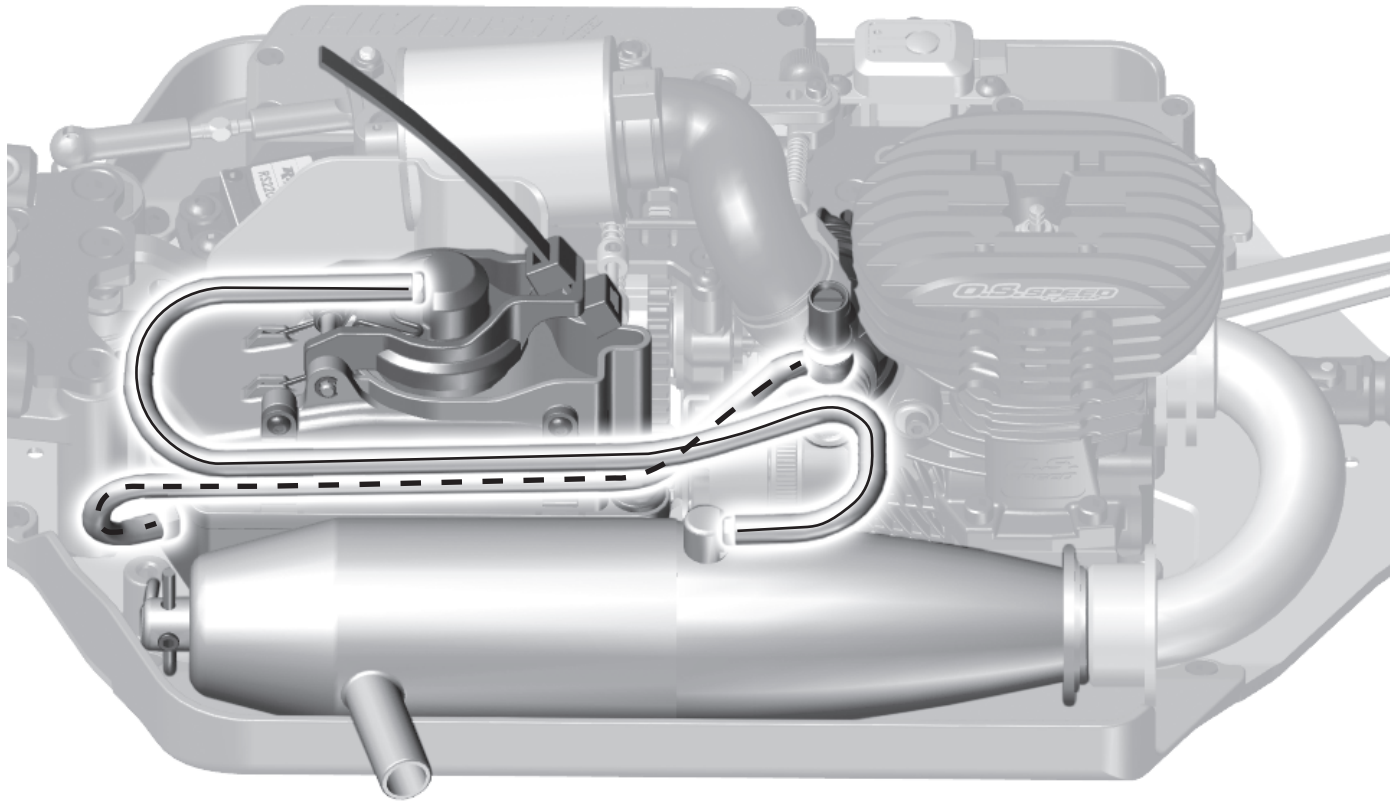


**Racer's Tip:** Install fuel tank posts to chassis before installing the fuel tank.

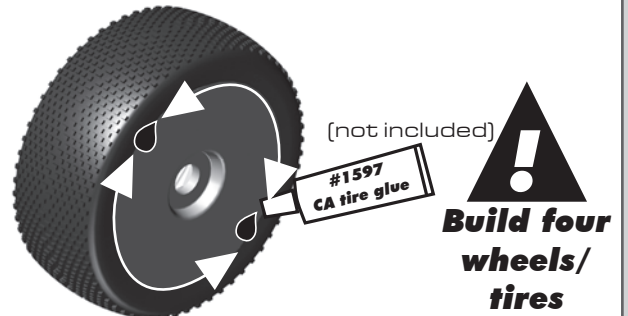
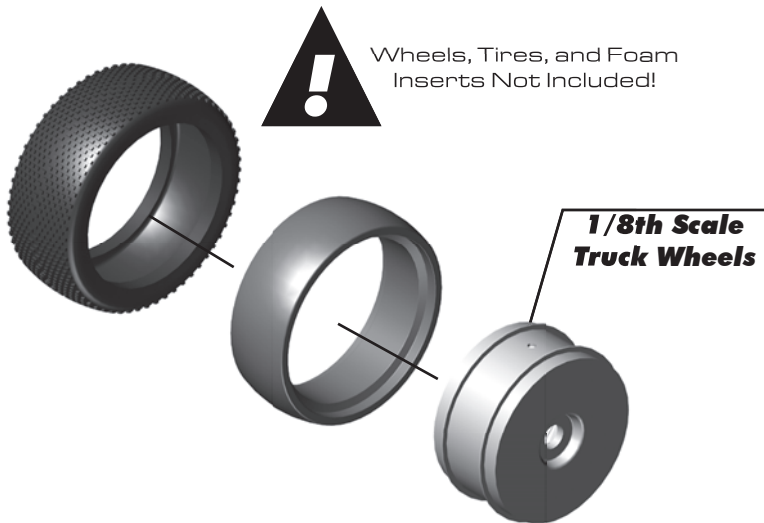
**:: Fuel Tank Build - Bag 13.1, 13.2 - Step 2 (RC8T3.2 Nitro)**

**Pressure line from fuel tank lid to exhaust pipe**

**Fuel line from fuel tank to carburetor**



**:: Wheels / Tires / Body - Misc. - Step 1**



**Tires:**  
When gluing tires to wheels, use a fast-curing tire glue (CA) (AE # 1597). Make sure to clean the mounting surface of the tire and wheel with alcohol for best adhesion.

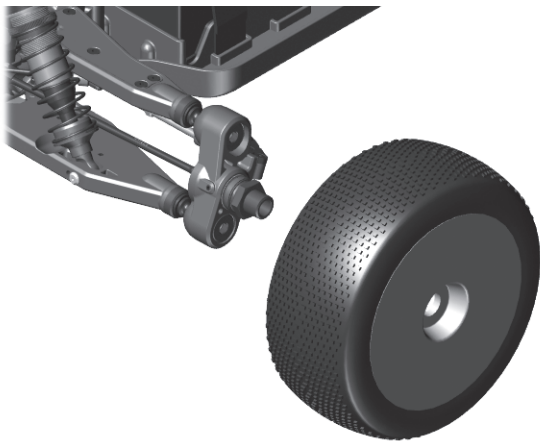
## :: Wheels / Tires / Body - Misc. - Step 2



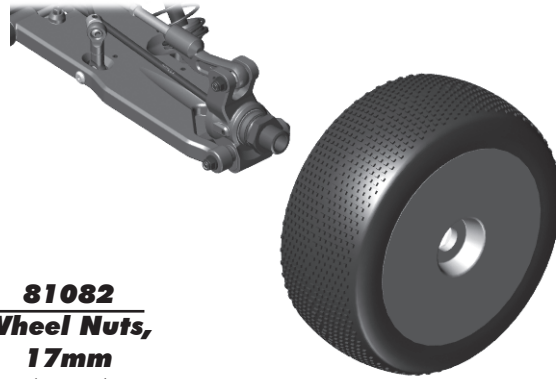
Install wheel nuts (#81082) with the serrated edge towards the wheel.



Install wheel nuts (#81082) with the serrated edge towards the wheel.

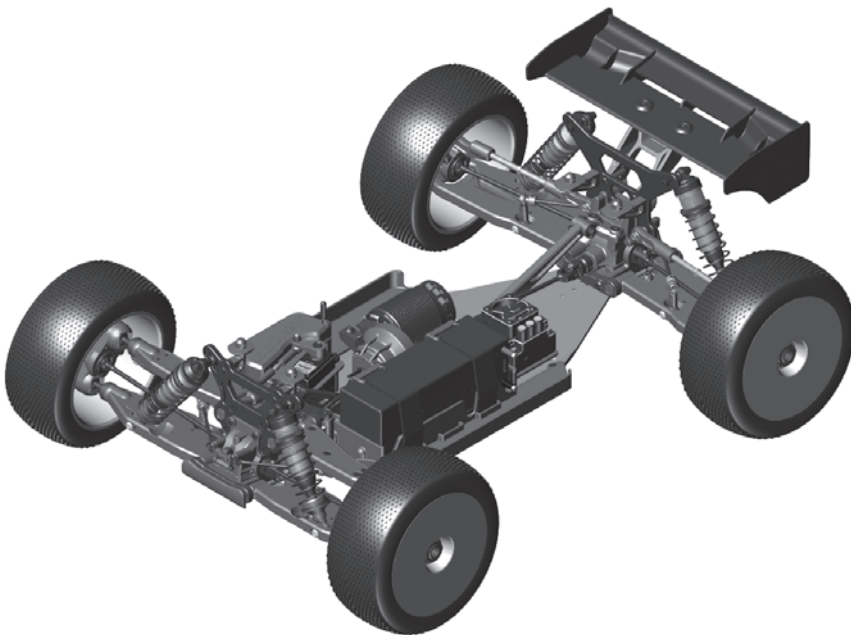


**81082**  
Wheel Nuts,  
17mm  
(Blue)



**81082**  
Wheel Nuts,  
17mm  
(Blue)

## :: Wheels / Tires / Body - Misc. - Step 3

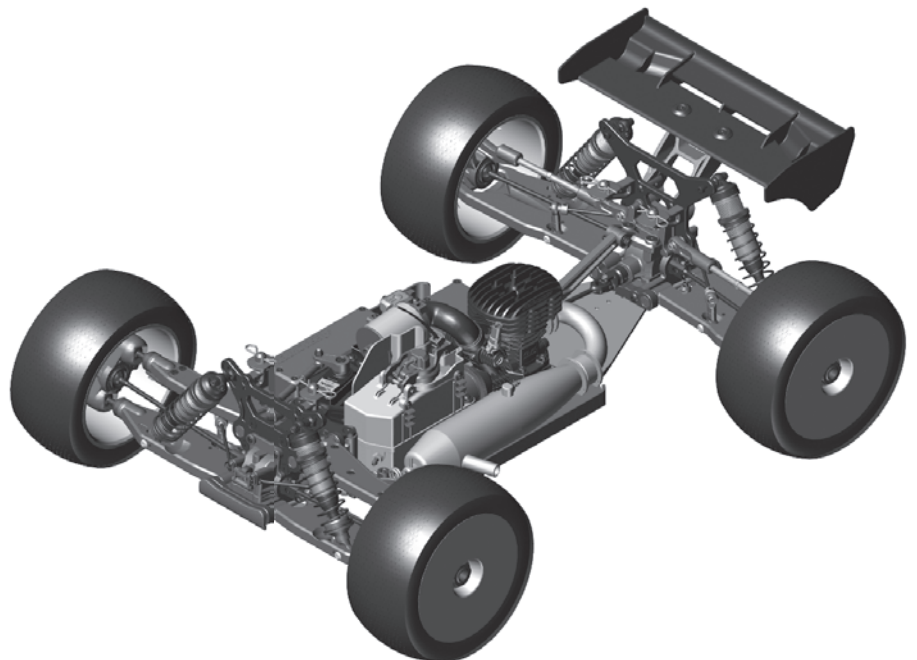


### Painting Tips:

Your new kit comes with a clear polycarbonate body. You will need to prep the body before you can paint it. Wash the inside thoroughly with warm water and liquid detergent. Dry the body using a clean, soft, lint-free cloth. Install the window masks on the inside of the body (RC car bodies get painted on the inside). If creating a design, using high quality masking tape, apply tape to the inside of the body to create a design. Spray (either rattle can or airbrush R/C specific paint) the paint to the inside of the body (preferably dark colors first, lighter colors last).

NOTE: use ONLY paint that is recommended for use with (polycarbonate) plastics. If you do not, you can destroy the polycarbonate body!!!

After painting, cut the body along the trim lines. Make sure to drill or use a body reamer to make the holes for the body mounts and antenna!



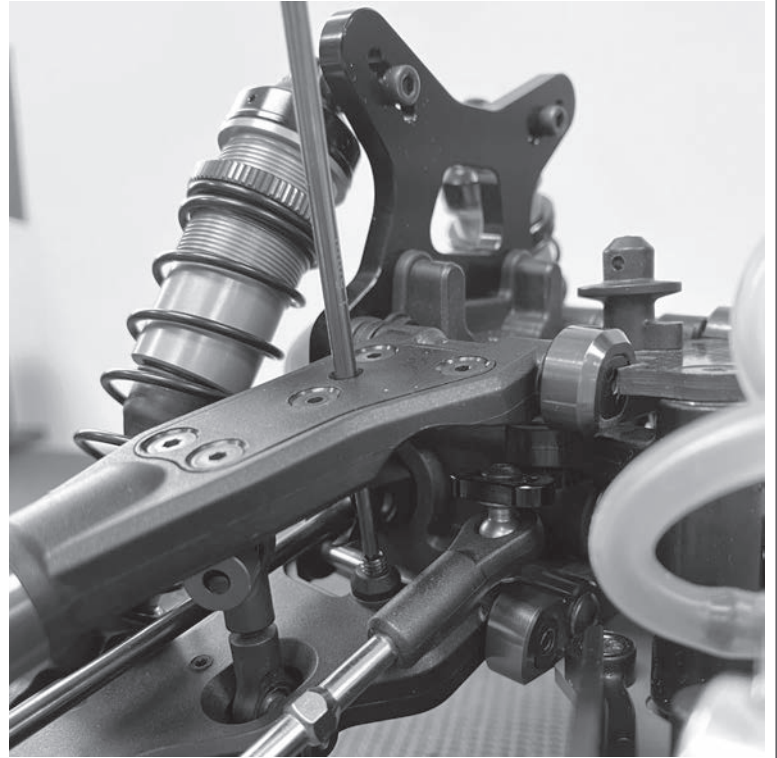
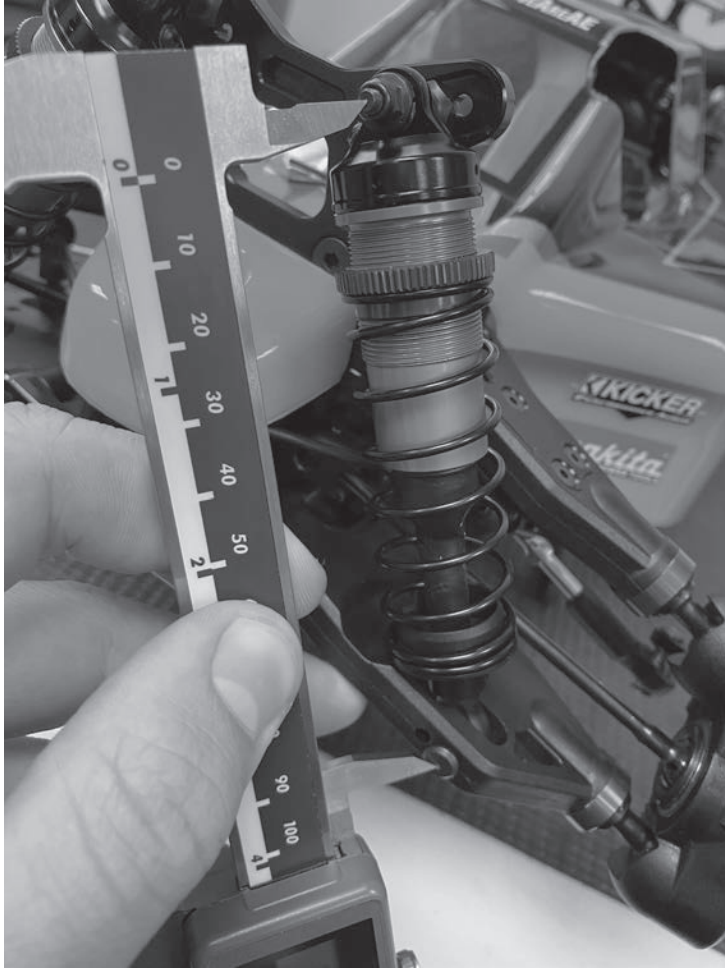
## :: Droop Settings

Set droop by measuring overall length of shock (from standoff to shock pin) while the chassis is elevated above your working surface. The shocks should be fully extended.

Kit setup for front droop is 107.5mm shock length, and 128mm shock length for the rear.

If the shock length is too long, adjust by turning the droop screws clockwise.

If the shock length is too short, adjust by turning the droop screws counter-clockwise.



**Front Droop:** Increasing front droop (loosen droop screws) will increase off-throttle steering. It also allows the front end to lift more, giving more rear grip and less front grip on-power. Remember to never loosen the screws beyond the FULL DROOP setting. Decreasing front droop (tighten droop screws) yields more on-power steering and quicker response at the expense of some stability in bumpy sections. It will also give less off-throttle steering.

**Rear Droop:** Increasing rear droop (loosen droop screws) will increase traction in bumpy sections, but will reduce high-speed stability. Remember to never loosen the screws beyond the FULL DROOP setting. Decreasing rear droop (tighten droop screws) will increase stability in high speed sections, but will reduce stability in bumpy sections.

### Setup Sheets:

To find different setups for your kit, visit our website, [www.rc10.com](http://www.rc10.com) and click on the "Setup Sheets" link, and then the link to your model. Our team of professional drivers help develop these setups at races worldwide. Additionally, most drivers have a "base" setup that they use as a starting point for most races. Try running some of our base setups or look for track conditions and tires that are similar to your local track and replicate that setup. Remember, each adjustment has a purpose, so copy everything from the setup sheet and then make adjustments based on the recommendations in here.

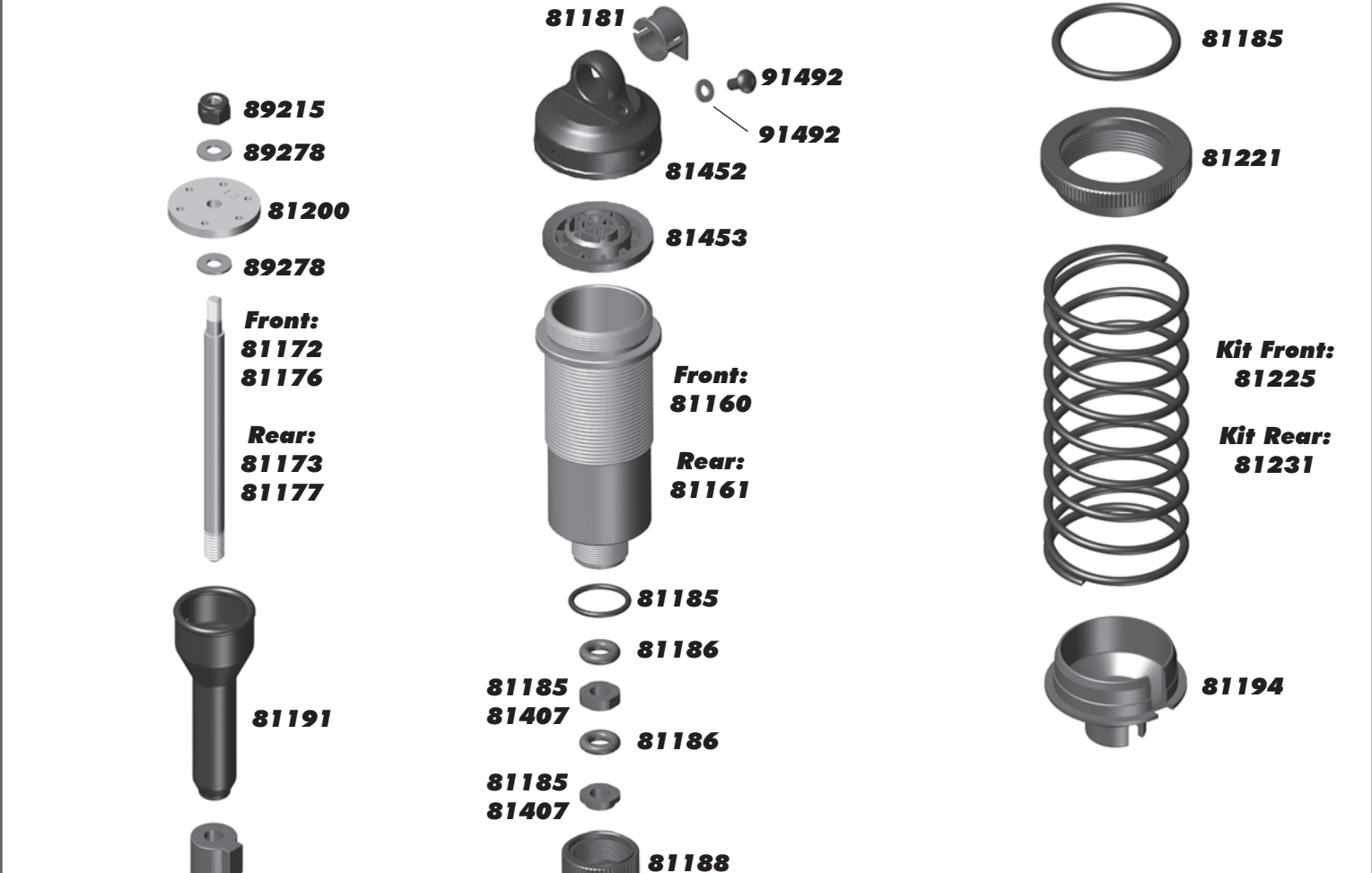
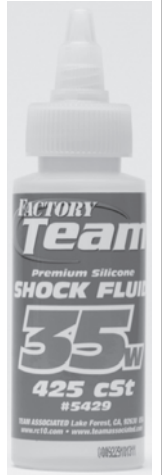


**:: Shocks**

81160	RC8B3 Shock Body, 30.5mm	2
81161	RC8B3 Shock Body, 39.5mm	2
81172	RC8T3 Shock Shaft, 33.5mm (TiN)	2
81173	RC8T3 Shock Shaft, 42.5mm (TiN)	2
81176	RC8T3 FT Chrome Shock Shafts, 3.5x33.5 mm	2
81177	RC8T3 FT Chrome Shock Shafts, 3.5x42.5 mm	2
81181	RC8B3 Shock Cap Insert	4
81185	RC8B3 Shock Rebuild Kit	1
81186	RC8B3 Shock O-Ring	8
81188	RC8B3 Shock Body Seal Retainer	2
81191	RC8T3 Shock Boots	4
81194	Shock Rod Ends & Spring Cups, 20mm	4 ea.
81200	RC8B3 Shock Pistons (6x1.3, 6x1.3 T, 8x1.2 T)	2 ea.
89215	M2.5 Locknut (silver)	10
81221	Spring Collars & O-Rings, 20mm	2 ea.
81407	RC8B3.1 Shock Seal Bushing Set	4 ea.
81452	RC8B3.2 16mm Shock Caps	2
81453	RC8B3 16mm Shock Bladders, stiff	4
81461	RC8B3.2 Front Shock Kit	1
81462	RC8B3.2 Rear Shock Kit	1
89278	Washer, 2.5mm	20
91492	12mm V2 Bleeder Gaskets and Screws	2 ea.

**:: Shock Fluid**

5420	10 Weight Silicone Shock Fluid	2oz.
5421	20 Weight Silicone Shock Fluid	2oz.
5422	30 Weight Silicone Shock Fluid	2oz.
5423	40 Weight Silicone Shock Fluid	2oz.
5424	22.5 Weight Silicone Shock Fluid	2oz.
5425	80 Weight Silicone Shock Fluid	2oz.
5426	27.5 Weight Silicone Shock Fluid	2oz.
5427	15 Weight Silicone Shock Fluid	2oz.
5428	25 Weight Silicone Shock Fluid	2oz.
5429	35 Weight Silicone Shock Fluid	2oz.
5430	45 Weight Silicone Shock Fluid	2oz.
5431	55 Weight Silicone Shock Fluid	2oz.
5432	32.5 Weight Silicone Shock Fluid	2oz.
5433	37.5 Weight Silicone Shock Fluid	2oz.
5434	42.5 Weight Silicone Shock Fluid	2oz.
5435	50 Weight Silicone Shock Fluid	2oz.
5436	60 Weight Silicone Shock Fluid	2oz.
5437	70 Weight Silicone Shock Fluid	2oz.
5438	47.5 Weight Silicone Shock Fluid	2oz.



**:: Springs**

81222	Front Spring, V2, 4.9lb/in, Green	Pr.
81223	Front Spring, V2, 5.1lb/in, White	Pr.
81224	Front Spring, V2, 5.3lb/in, Gray	Pr.
81225	Front Spring, V2, 5.5lb/in, Blue - KIT	Pr.
81226	Front Spring, V2, 5.7lb/in, Yellow	Pr.
81229	Rear Spring, V2, 4.1lb/in, White	Pr.
81230	Rear Spring, V2, 4.2lb/in, Gray	Pr.
81231	Rear Spring, V2, 4.3lb/in, Blue - KIT	Pr.
81232	Rear Spring, V2, 4.4lb/in, Yellow	Pr.

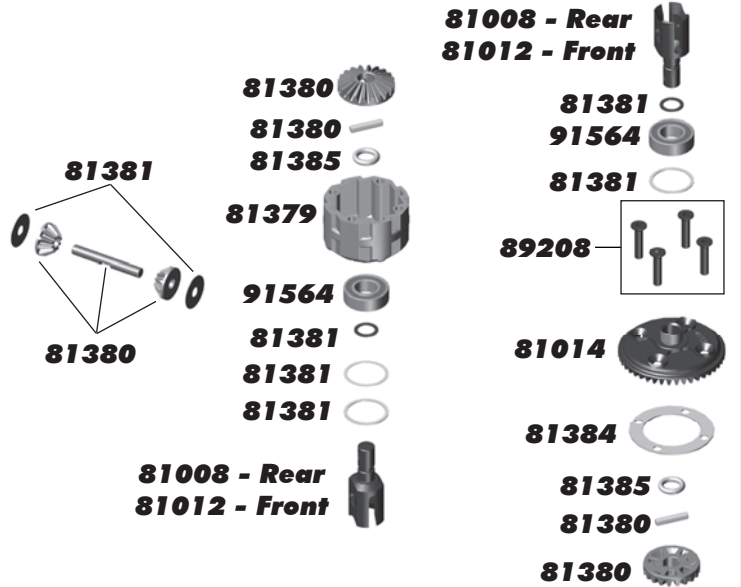
**:: Differential Fluids**

5444	Silicone Diff Fluid 4,000CST	1
5446	Silicone Diff Fluid 6,000CST	1
5447	Silicone Diff Fluid 15,000CST	1
5448	Silicone Diff Fluid 80,000CST	1
5450	Silicone Diff Fluid 1,000CST	1
5451	Silicone Diff Fluid 2,000CST	1
5452	Silicone Diff Fluid 3,000CST	1
5453	Silicone Diff Fluid 5,000CST	1
5454	Silicone Diff Fluid 7,000CST	1
5455	Silicone Diff Fluid 10,000CST	1
5456	Silicone Diff Fluid 20,000CST	1
5457	Silicone Diff Fluid 30,000CST	1
5458	Silicone Diff Fluid 60,000CST	1
5459	Silicone Diff Fluid 100,000CST	1
5461	Silicone Diff Fluid 200,000CST	1
5463	Silicone Diff Fluid 500,000CST	1
5464	Silicone Diff Fluid 1,000,000CST	1



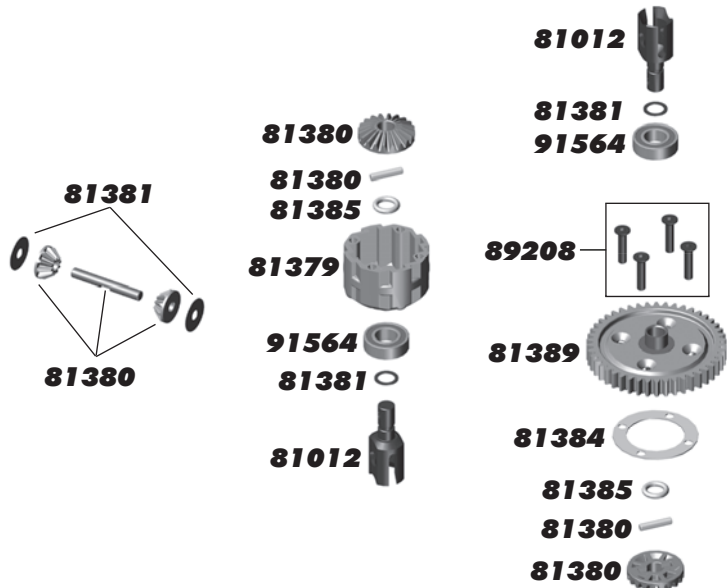
**:: Front / Rear Gear Differential**

81008	Diff Outdrives, 15mm, Rear Diff	2
81012	Diff Outdrives, 17mm, Front Diff	2
81014	RC8T3.1 Diff Ring Gear, 46T	1
81379	RC8B3.1 Differential Case	1
81380	RC8B3.1 Differential Gear Set (HTC) - KIT	1
81381	RC8B3.1 Differential Shim Set	1
81383	RC8B3.1 Differential Gear Set (LTC)	1
81384	RC8B3.1 Differential Gasket	3
81385	RC8B3.1 Differential O-Ring Set	1
89208	3 x 14mm FHCS	10
91564	8 x 16 x 5 Bearings	2



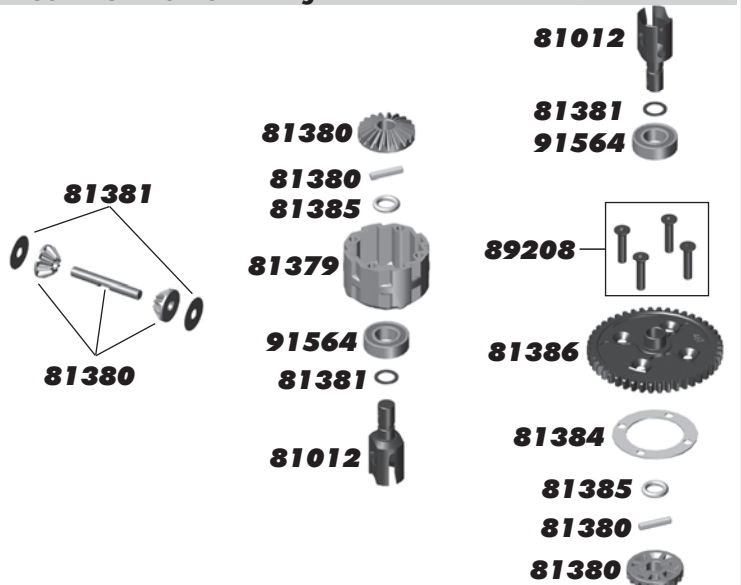
**:: Center Gear Differential (RC8T3.2e)**

81012	Diff Outdrives, 17mm, Center Diff	2
81379	RC8B3.1 Differential Case	1
81380	RC8B3.1 Differential Gear Set (HTC) - KIT	1
81381	RC8B3.1 Differential Shim Set	1
81383	RC8B3.1 Differential Gear Set (LTC)	1
81384	RC8B3.1 Differential Gasket	3
81385	RC8B3.1 Differential O-Ring Set	1
81389	RC8B3.1e Plastic Spur Gear, 46T - KIT	1
89208	3 x 14mm FHCS	10
91564	8 x 16 x 5 Bearings	2



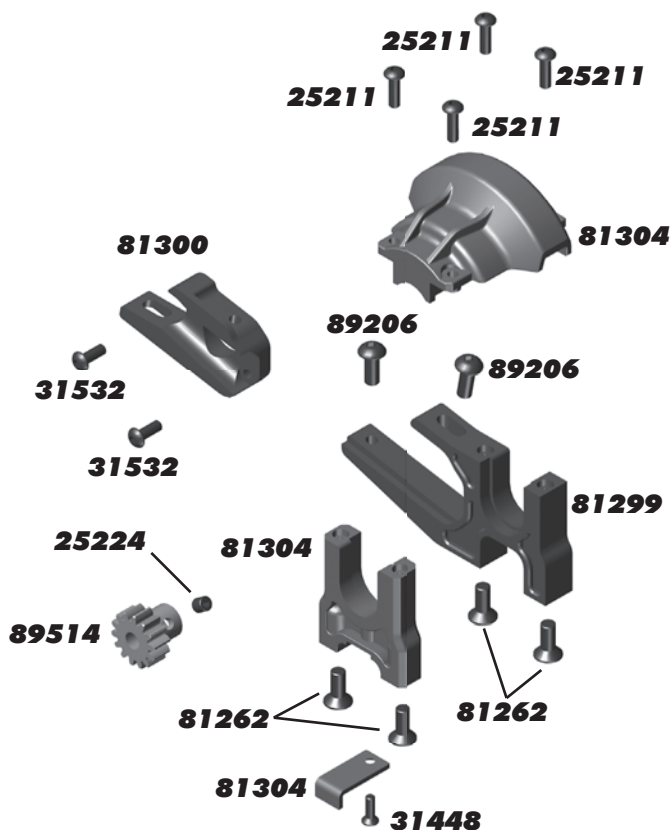
**:: Center Gear Differential (RC8T3.2 Nitro)**

81012	Diff Outdrives, 17mm, Center Diff	2
81379	RC8B3.1 Differential Case	1
81380	RC8B3.1 Differential Gear Set (HTC) - KIT	1
81381	RC8B3.1 Differential Shim Set	1
81383	RC8B3.1 Differential Gear Set (LTC)	1
81384	RC8B3.1 Differential Gasket	3
81385	RC8B3.1 Differential O-Ring Set	1
81386	RC8B3.1 Spur Gear, 46T - KIT	1
81387	RC8B3.1 Spur Gear, 47T	1
81388	RC8B3.1 Spur Gear, 48T	1
89208	3 x 14mm FHCS	10
91564	8 x 16 x 5 Bearings	2



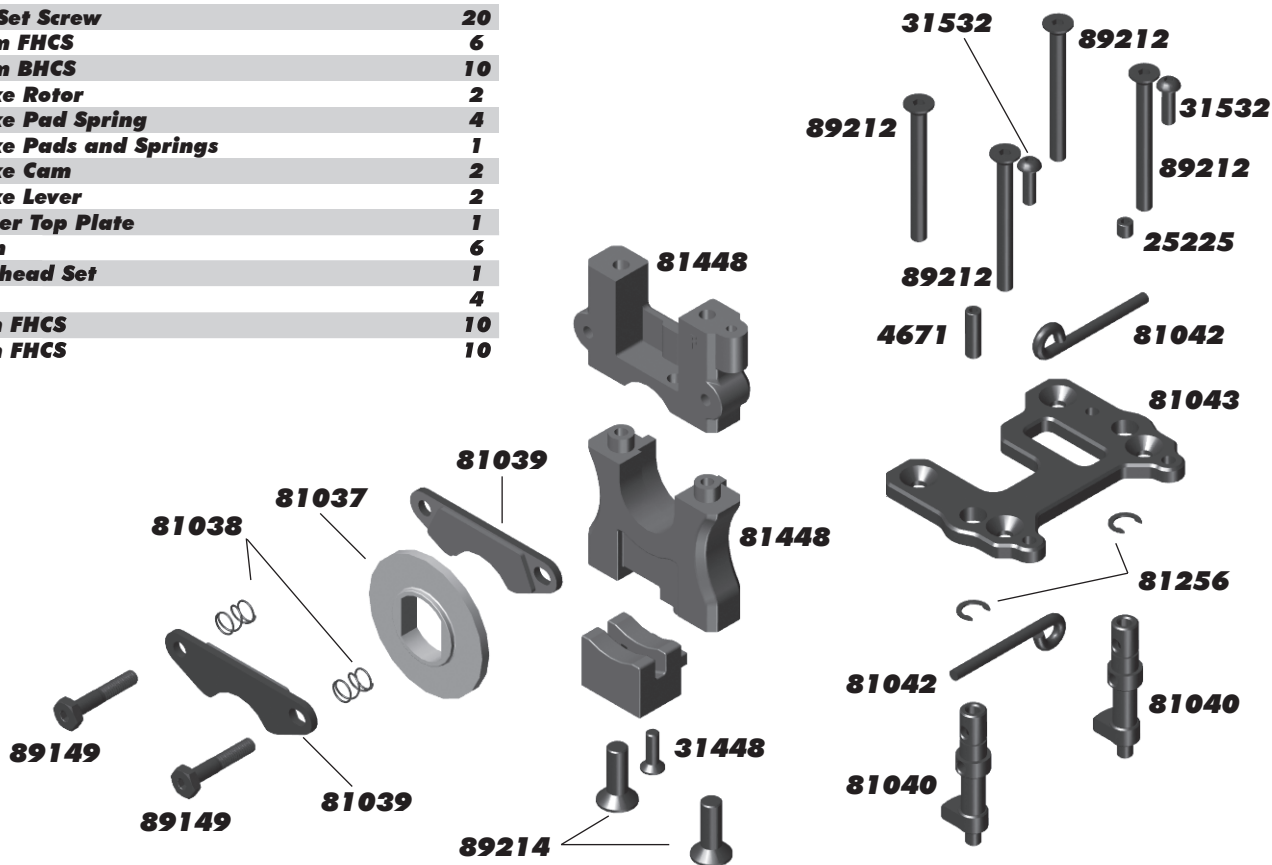
**:: Center Bulkhead (RC8T3.2e)**

25211	3 x 10mm BHCS	20
25224	M4 x 4mm Set Screw	20
31448	2.5 x 8mm FHCS	6
31532	3 x 8mm BHCS	6
81262	4 x 10mm FHCS	6
81299	RC8B3e Motor Mount	1
81300	RC8B3e Motor Mount Slide	1
81304	RC8B3e Center Bulkhead / Cover / Guide	1
89206	4 x 10mm BHCS	10
89512	Pinion, 12T	1
89513	Pinion, 13T	1
89514	Pinion, 14T	1
89515	Pinion, 15T	1
89516	Pinion, 16T	1
89517	Pinion, 17T	1
89593	Pinion, 18T	1
89594	Pinion, 19T	1
89595	Pinion, 20T	1



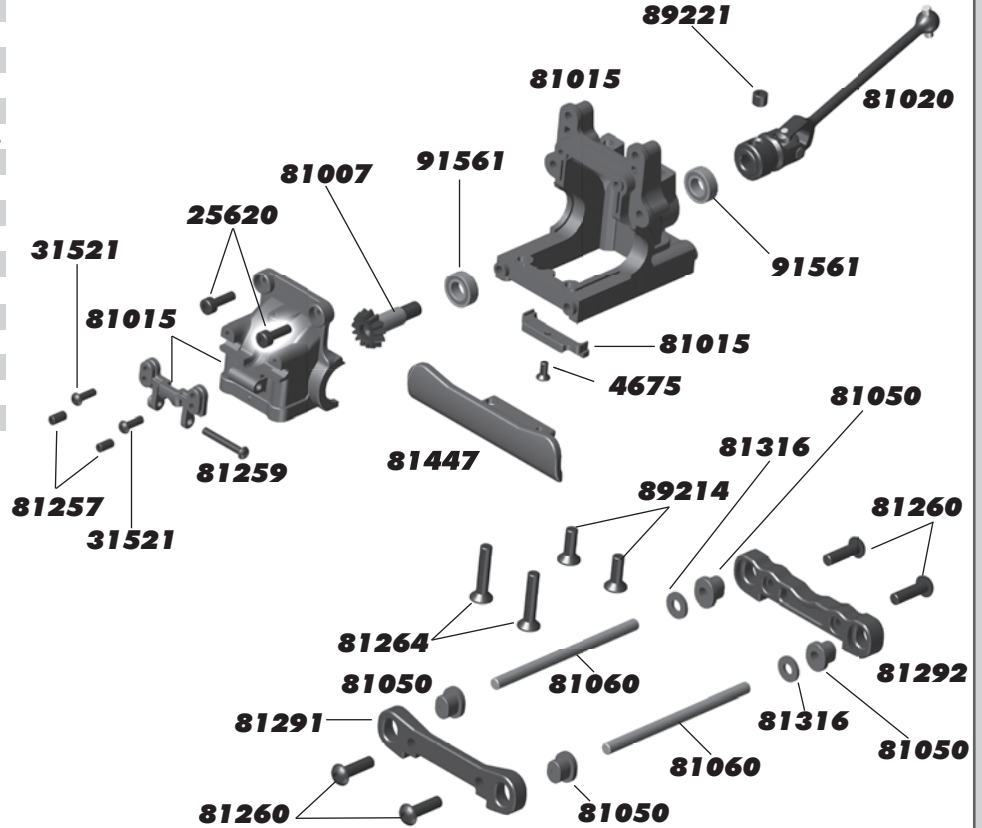
**:: Center Bulkhead**

4671	M3 x 10mm Set Screw	6
25225	M3 x 3mm Set Screw	20
31448	M2.5 x 8mm FHCS	6
31532	M2.5 x 8mm BHCS	10
81037	RC8B3 Brake Rotor	2
81038	RC8B3 Brake Pad Spring	4
81039	RC8B3 Brake Pads and Springs	1
81040	RC8B3 Brake Cam	2
81042	RC8B3 Brake Lever	2
81043	RC8B3 Center Top Plate	1
81256	C-Clip, 5mm	6
81448	Center Bulkhead Set	1
89149	Brake Bolt	4
89212	M3 x 30mm FHCS	10
89214	M4 x 12mm FHCS	10



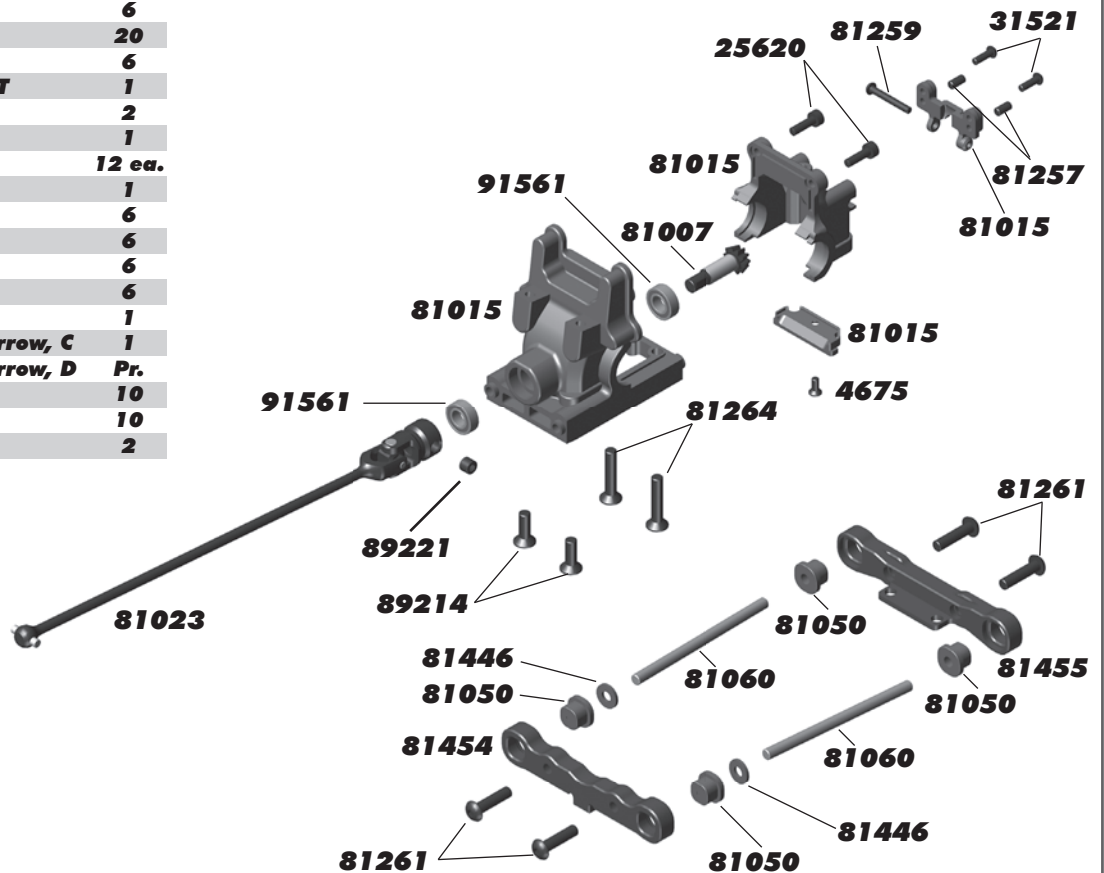
**:: Front Gearbox**

4675	2.5 x 6mm FHCS	6
25620	3 x 10mm SHCS	20
31521	2.5 x 8mm BHCS	6
81007	RC8B3 Diff Pinion Gear, 10T	1
81015	RC8B3 Gearbox	2
81020	RC8B3 Center Universal, 76mm	1
81050	RC8B3 Arm Mount Insert	12 ea.
81060	RC8B3 Hinge Pin Set	1
81257	3 x 6mm Set Screw	6
81259	2.5 x 18mm BHCS	6
81260	4 x 14mm BHCS	6
81264	4 x 20mm FHCS	6
81291	RC8B3.1 Arm Mount, A	1
81292	RC8B3.1 Arm Mount, B	1
81316	RC8T3 Front Arms/Shims	Pr.
81447	RC8B3.2 Bumper	1
89214	4 x 12mm FHCS	10
89221	5 x 4mm Set Screw	10
91561	Bearing, 6 x 12 x 4mm	2



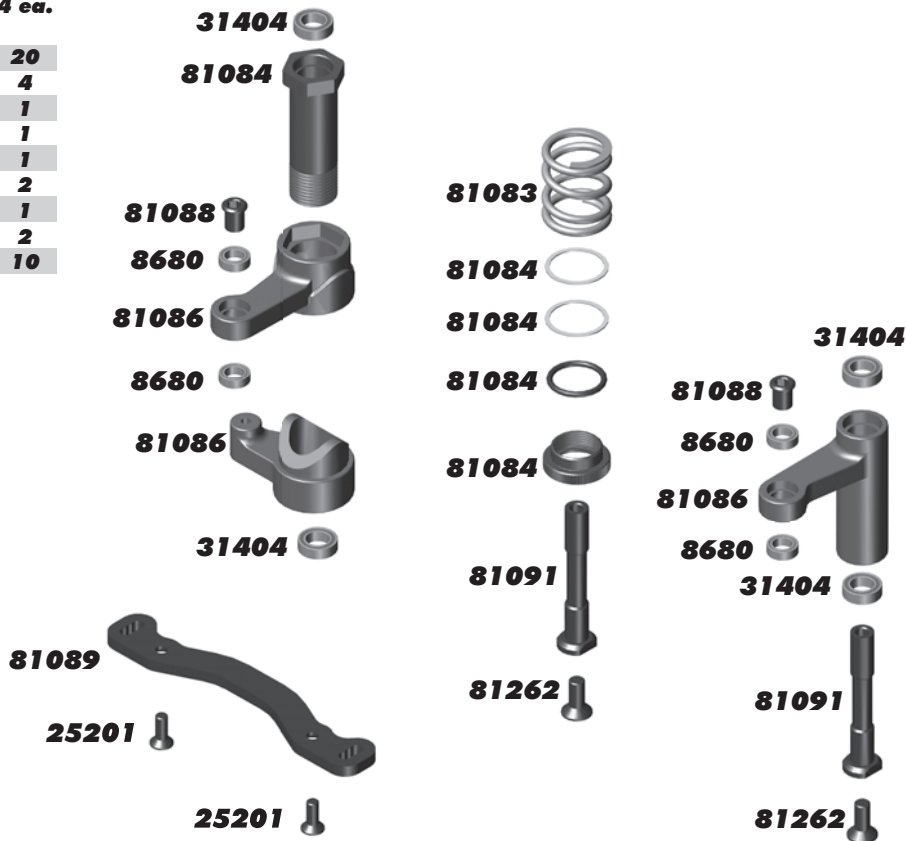
**:: Rear Gearbox**

4675	2.5 x 6mm FHCS	6
25620	3 x 10mm SHCS	20
31521	2.5 x 8mm BHCS	6
81007	RC8B3 Diff Pinion Gear, 10T	1
81015	RC8B3 Gearbox	2
81023	Center Universal, 165mm	1
81050	RC8B3 Arm Mount Insert	12 ea.
81060	RC8B3 Hinge Pin Set	1
81257	3 x 6mm Set Screw	6
81259	2.5 x 18mm BHCS	6
81261	4 x 16mm BHCS	6
81264	4 x 20mm FHCS	6
81446	RC8B3 Shim Set	1
81454	RC8B3 HRC Arm Mount, Narrow, C	1
81455	RC8B3 HRC Arm Mount, Narrow, D	Pr.
89214	4 x 12mm FHCS	10
89221	5 x 4mm Set Screw	10
91561	FT Bearing, 6 x 12 x 4mm	2



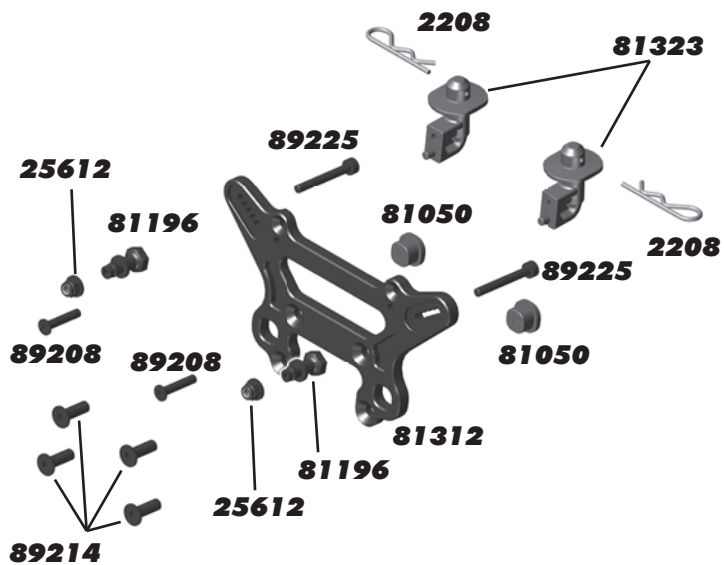
**:: Steering**

8680	FT Steering Bearing Set, 5 x 8 x 2.5mm & 6 x 10 x 3mm	4 ea.
25201	3 x 8mm FHCS	20
31404	Bearing, 6 x 10 x 3mm	4
81083	Servo Saver Spring	1
81084	RC8B3.1 Servo Saver Tube	1
81086	RC8B3 Steering Bellcrank	1
81088	RC8B3 Steering Bellcrank Nut	2
81089	RC8B3 Steering Rack	1
81091	RC8B3 Steering Post	2
81262	4 x 10mm FHCS	10



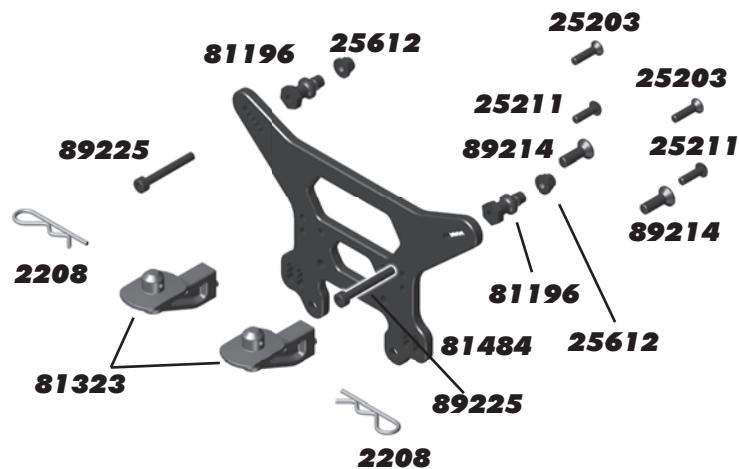
**:: Front Shock Tower**

2208	Body Clips, Large	6
25612	M3 Locknut with Flange, Black	20
81050	RC8B3 Arm Mount Inserts	12 ea.
81196	RC8B3 Shock Bushing	4
81312	RC8T3 Shock Tower, Front	1
81323	RC8T3 Body Posts, Set	1
89208	3 x 14mm FHCS	10
89214	4 x 12mm FHCS	10
89225	3 x 24mm SHCS	10



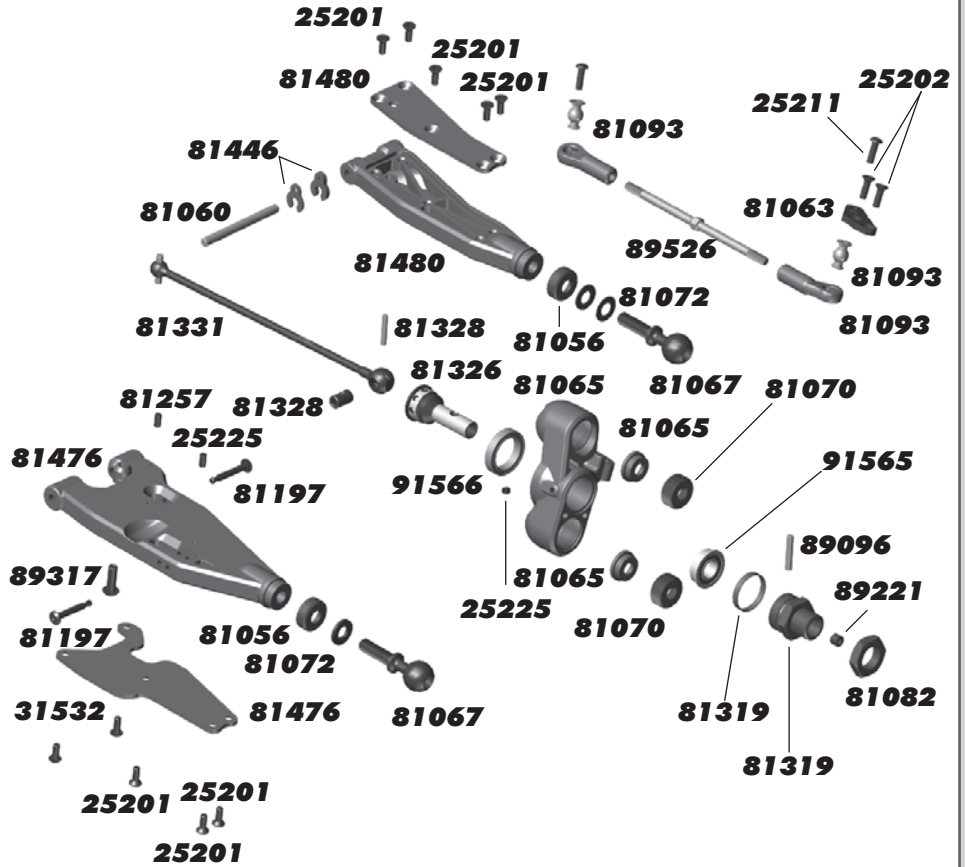
**:: Rear Shock Tower**

2208	Body Clips, Large	6
25203	3 x 12mm FHCS	20
25211	3 x 10mm BHCS	20
25612	M3 Locknut with Flange, Black	20
81196	RC8B3 Shock Bushing	4
81323	RC8T3 Body Posts, Set	1
81484	RC8T3.2 Shock Tower, Rear	1
89214	4 x 12mm FHCS	10
89225	3 x 24mm SHCS	10



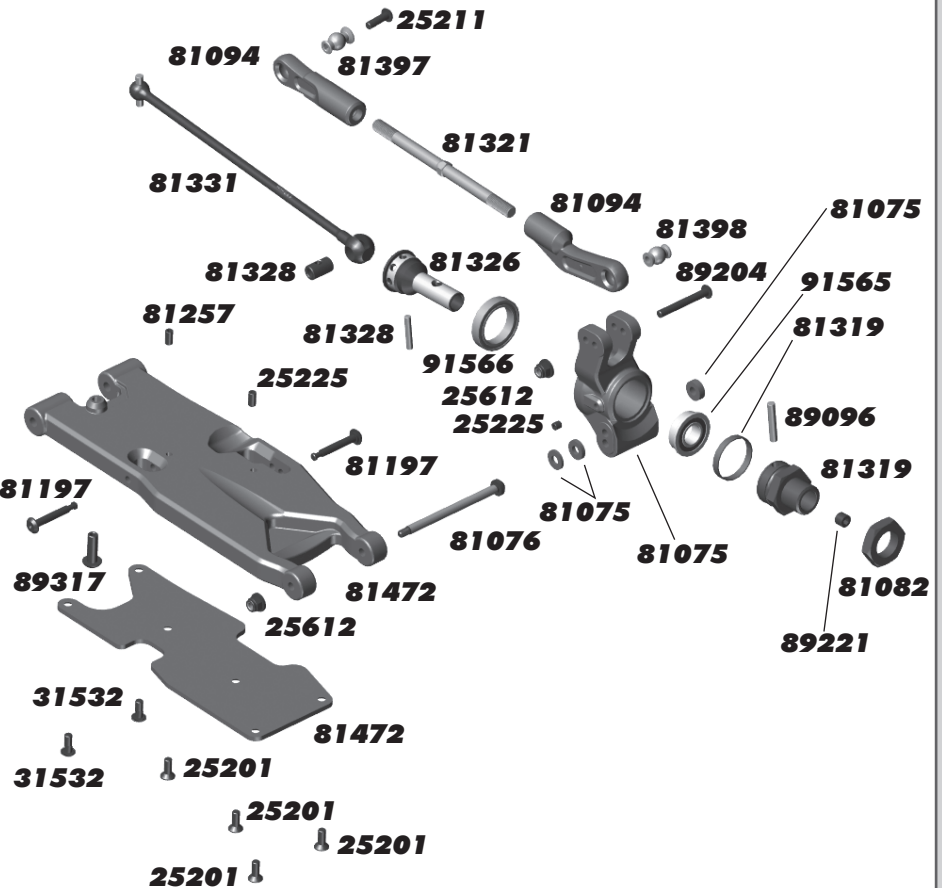
## :: Front Suspension

25201	3 x 8mm FHCS	10
25202	3 x 10mm FHCS	10
25211	3 x 10mm BHCS	10
25225	3 x 3mm Set Screw	10
31532	3 x 10mm BHCS	10
81056	RC8B3 Suspension Arm Endcap	4
81060	RC8B3 Hinge Pin Set	1
81063	Steering Block Arms, +2 deg., alum. Pr.	
81065	RC8B3 Steering Block	Pr.
81067	RC8B3 Pillow Ball	2
81070	RC8B3 Pillow Ball Nut	4
81072	RC8B3 Pillow Ball Shim	6
81082	RC8B3 Wheel Nuts, 17mm Blue	2
81093	RC8B3 Rod End, 4mm (4 ball joints, 1 2 rod ends, 2 offset rod ends)	1
81197	RC8B3 Shock Pin	4
81257	3 x 6mm Set Screw	6
81319	17mm Hex Drives, 11.5mm Offset	2
81326	RC8B3 CVA Axle, Steel	2
81328	FT RC8B3 CVA Rebuild Kit	2
81331	RC8T3 CVA Bones, 133mm	2
81446	RC8B3.2 Shim Set	1
81476	RC8T3.2 Front Lower Arms	Pr.
81480	RC8T3.2 Front Upper Arms	Pr.
89096	Wheel Hex Pin	4
89221	5 x 4mm Set Screw	10
89317	Droop Screw	8
89526	Turnbuckles, 4x50 mm/1.97 in	2
91565	FT Flanged Bearing, 8 x 16 x 5	4
91566	FT Bearings, 15 x 21 x 4mm	4



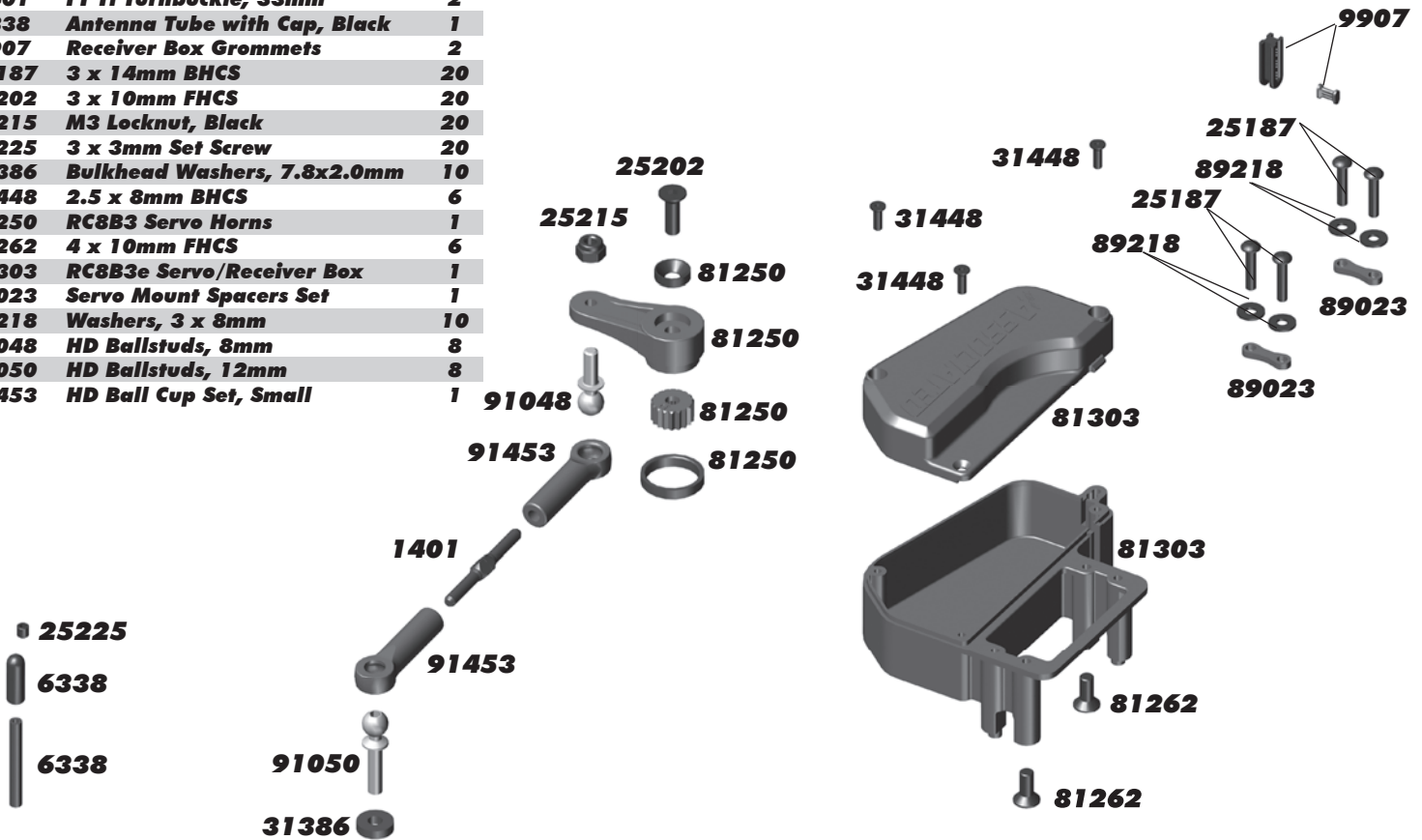
## :: Rear Suspension

25201	3 x 8mm FHCS	10
25211	3 x 10mm BHCS	10
25225	3 x 3mm Set Screw	10
25612	M3 Locknut with Flange, Black	10
31532	3 x 10mm BHCS	10
81075	RC8B3 Rear Hub	Pr.
81076	RC8B3 Hub Hinge Pin	2
81082	RC8B3 Wheel Nuts, 17mm Blue	2
81094	RC8B3 Rod End, 5mm (4 ball joints, 2 rod ends, 2 offset rod ends)	1
81197	RC8B3 Shock Pin	4
81257	3 x 6mm Set Screw	6
81319	17mm Hex Drives, 11.5mm Offset	2
81321	Turnbuckle, 5 x 80mm	2
81326	RC8B3 CVA Axle, Steel	2
81328	FT RC8B3 CVA Rebuild Kit	2
81331	RC8T3 CVA Bones, 133mm	2
81397	RC8B3.1 Turnbuckle Balls	4
81398	RC8B3.1 Turnbuckle Balls, shouldered	4
81472	RC8T3.2 Rear Arms	Pr.
89096	Wheel Hex Pin	4
89204	3 x 24mm BHCS	10
89221	5 x 4mm Set Screw	10
89317	Droop Screw	8
91565	FT Flanged Bearing, 8 x 16 x 5	4
91566	FT Bearings, 15 x 21 x 4mm	4



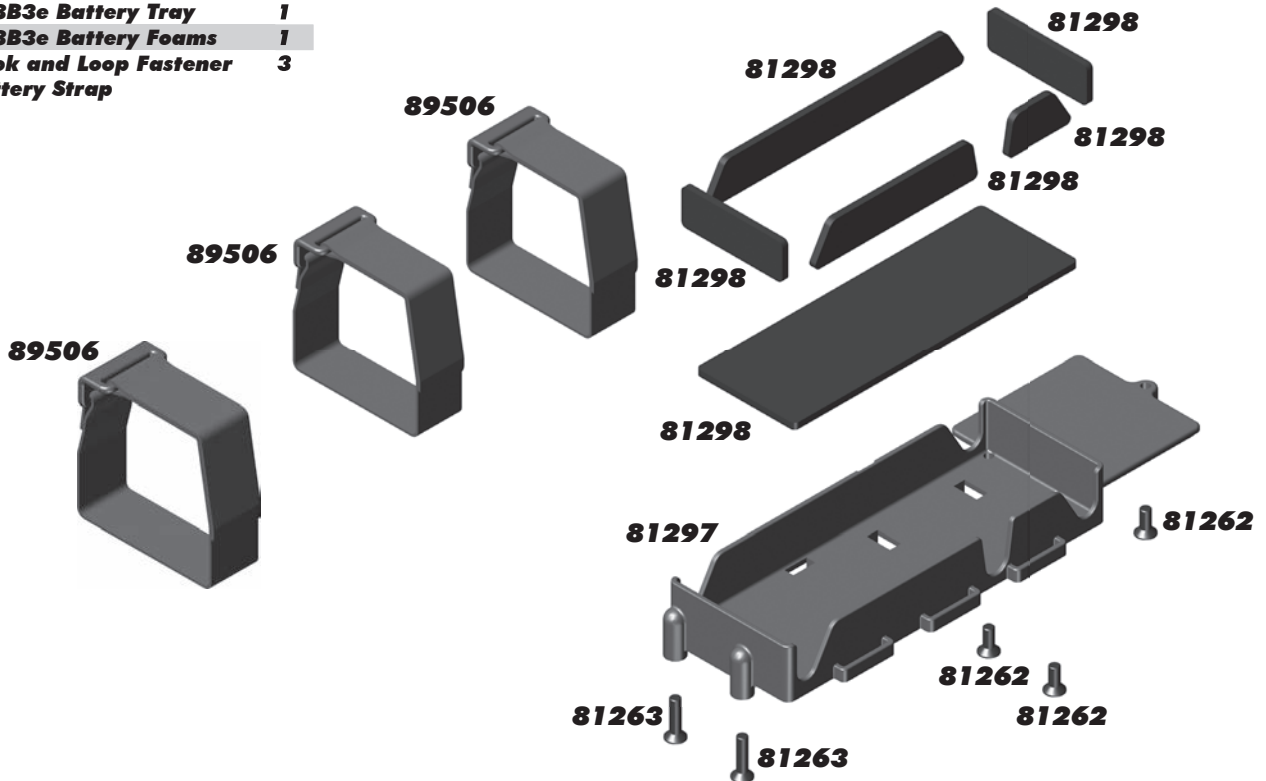
**:: Radio Tray / Servo Linkage (RC8T3.2e)**

1401	FT Ti Turnbuckle, 33mm	2
6338	Antenna Tube with Cap, Black	1
9907	Receiver Box Grommets	2
25187	3 x 14mm BHCS	20
25202	3 x 10mm FHCS	20
25215	M3 Locknut, Black	20
25225	3 x 3mm Set Screw	20
31386	Bulkhead Washers, 7.8x2.0mm	10
31448	2.5 x 8mm BHCS	6
81250	RC8B3 Servo Horns	1
81262	4 x 10mm FHCS	6
81303	RC8B3e Servo/Receiver Box	1
89023	Servo Mount Spacers Set	1
89218	Washers, 3 x 8mm	10
91048	HD Ballstuds, 8mm	8
91050	HD Ballstuds, 12mm	8
91453	HD Ball Cup Set, Small	1



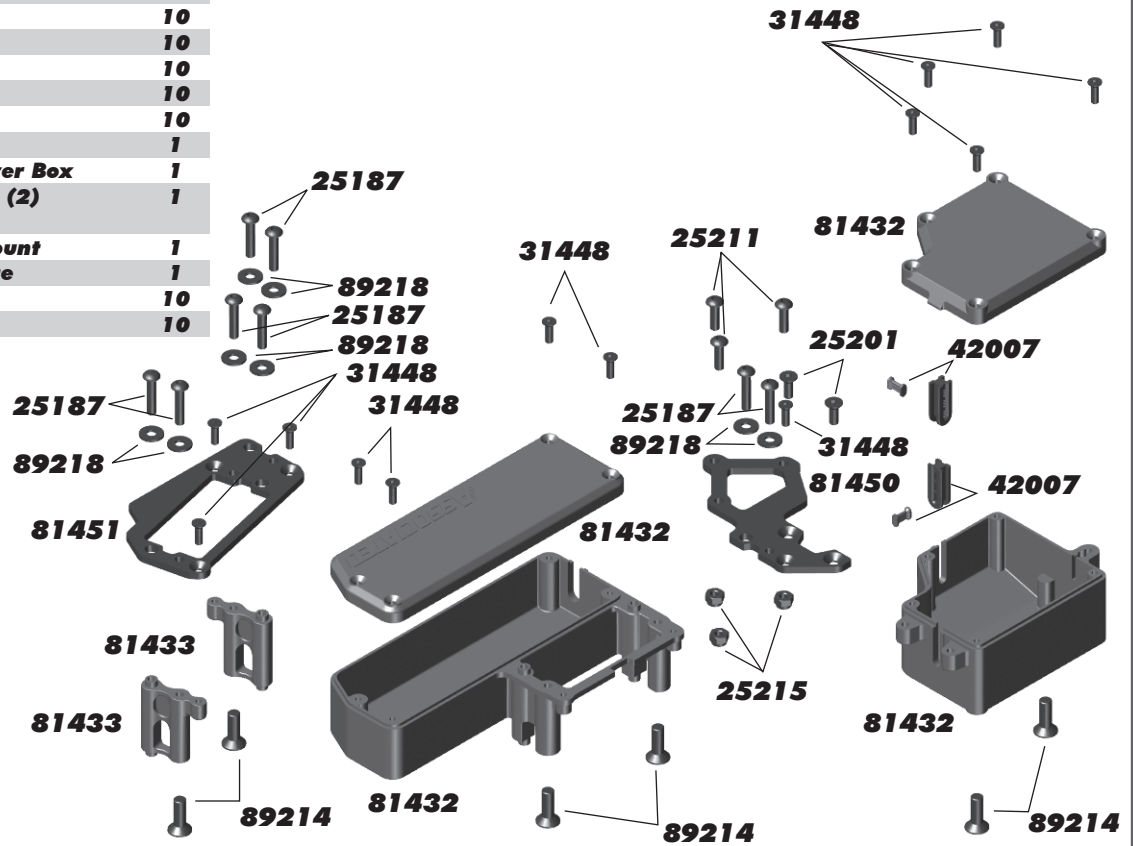
**:: Battery Tray (RC8T3.2e)**

81262	4 x 10mm FHCS	6
81263	4 x 16mm FHCS	6
81297	RC8B3e Battery Tray	1
81298	RC8B3e Battery Foams	1
89506	Hook and Loop Fastener Battery Strap	3



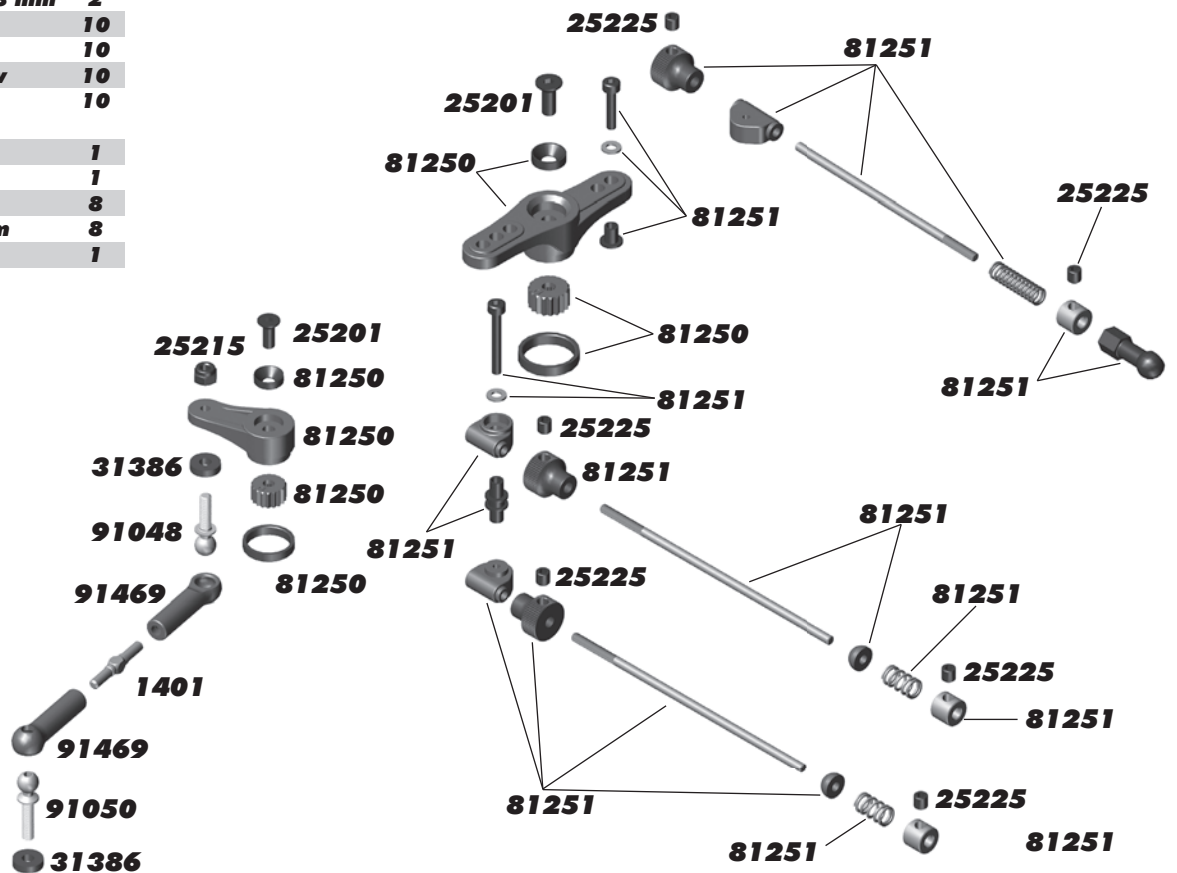
**:: Radio Tray (RC8T3.2 Nitro)**

6338	Antenna Tube with Cap, Black	1
25187	M3 x 14mm BHCS	10
25201	M3 x 8mm FHCS	10
25211	M3 x 10mm BHCS	10
25215	M3 Locknuts	10
25225	M3 x 3mm Set Screw	10
31448	M2.5 x 8mm FHCS	10
42007	Receiver Box Seals	1
81432	RC8B3.2 Battery / Receiver Box	1
81433	RC8B3.2 Radio Tray Post (2) Spacers (4)	1
81450	RC8B3.2 Transponder Mount	1
81451	RC8B3.2 Radio Tray Brace	1
89214	M4 x 12mm FHCS	10
89218	M3 x 8mm Washer	10



**:: Linkage (RC8T3.2 Nitro)**

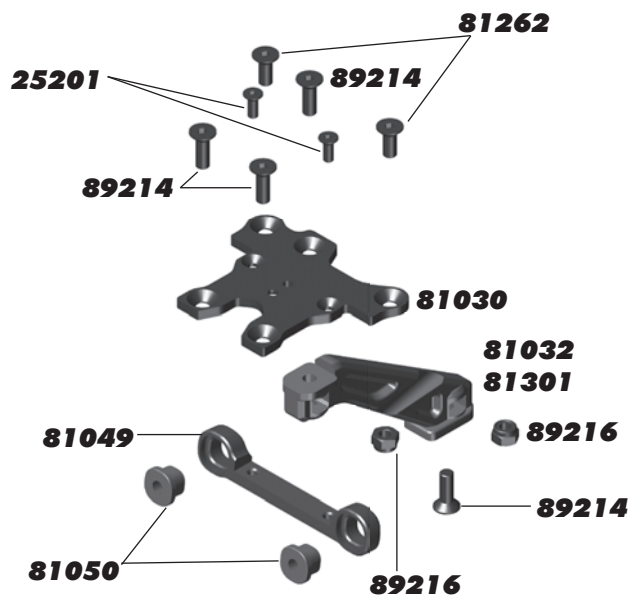
1401	FT Ti. Turnbuckle, 33 mm	2
25201	M3 x 8mm FHCS	20
25215	M3 Locknut, Black	10
25225	M3 x 3mm Set Screw	10
31386	Bulkhead Washer, 7.8x2.0mm, Blue	10
81250	RC8B3 Servo Horns	1
81251	RC8B3 Linkage Set	1
91048	HD Ballstuds, 8 mm	8
91050	HD Ballstuds, 12 mm	8
91469	Ball Cup Set, small	1





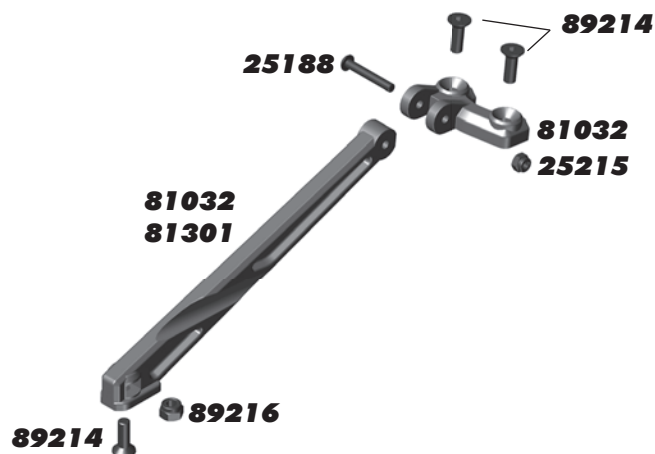
**:: Front Chassis Brace**

25201	3 x 8mm FHCS	20
81030	RC8B3 Top Plate	1
81032	RC8B3 Chassis Brace	Pr.
81049	RC8B3 Upper Link Mount	1
81050	RC8B3 Arm Mount Insert	12 ea.
81262	4 x 10mm FHCS	6
81301	RC8B3 Chassis Braces, short (front and rear)	Pr.
89214	4 x 12mm FHCS	10
89216	M4 Locknut	10



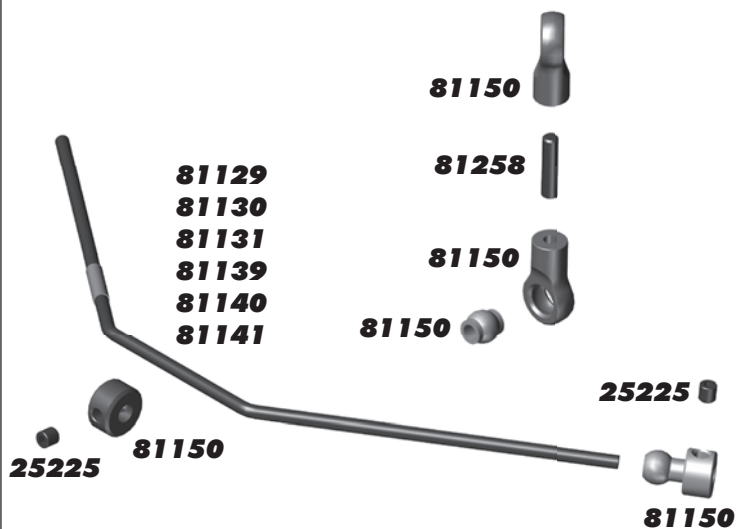
**:: Rear Chassis Brace**

25188	3 x 20mm BHCS	20
25215	M3 Locknut, Black	20
81032	RC8B3 Chassis Brace	Pr.
81301	RC8B3 Chassis Braces, short (front and rear)	Pr.
89214	4 x 12mm FHCS	10
89216	M4 Locknut	10



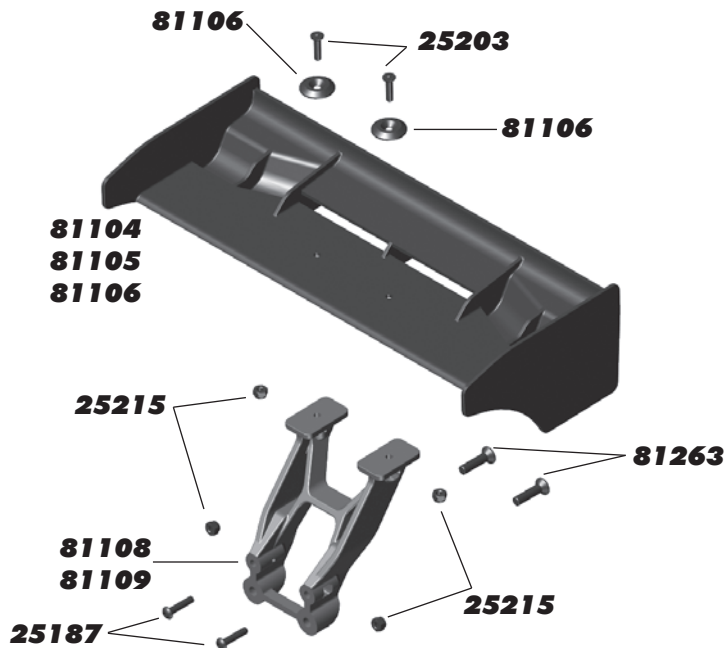
**:: Anti-Roll Bars**

25225	M3 x 3mm Set Screw	10
81129	RC8B3 Front Anti-Roll Bars (2.0, 2.1, 2.2mm)	1 ea.
81130	RC8B3 Front Anti-Roll Bars (2.3, 2.4, 2.5mm)	1 ea.
81131	RC8B3 Front Anti-Roll Bars (2.6, 2.7, 2.8mm)	1 ea.
81139	RC8B3 Rear Anti-Roll Bars (2.2, 2.3, 2.4mm)	1 ea.
81140	RC8B3 Rear Anti-Roll Bars (2.5, 2.6, 2.7mm)	1 ea.
81141	RC8B3 Rear Anti-Roll Bars (2.8, 2.9, 3.0mm)	1 ea.
81150	RC8B3 Anti-Roll Bar Drop Link / Collet	1
81258	M3 x 12mm Set Screw	6



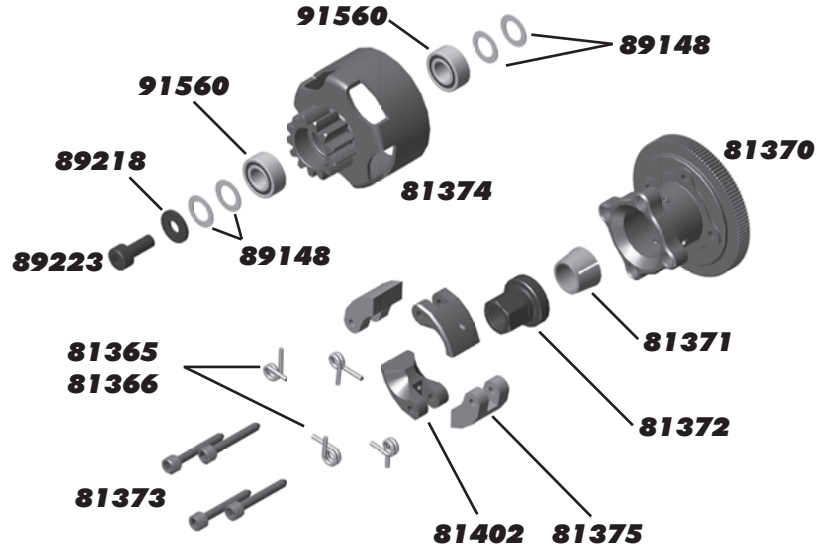
**:: Wing**

25187	M3 x 14mm BHCS	10
25203	M3 x 12mm FHCS	10
25215	M3 Locknut, Black	10
81104	RC8B3 IFMAR Wing, Black	1
81105	RC8B3 IFMAR Wing, White	1
81106	RC8B3 Wing, Black	1
81108	RC8B3 Wing Mount	1
81109	Wing Mount, +8mm	1
81263	M4 x 16mm FHCS	6



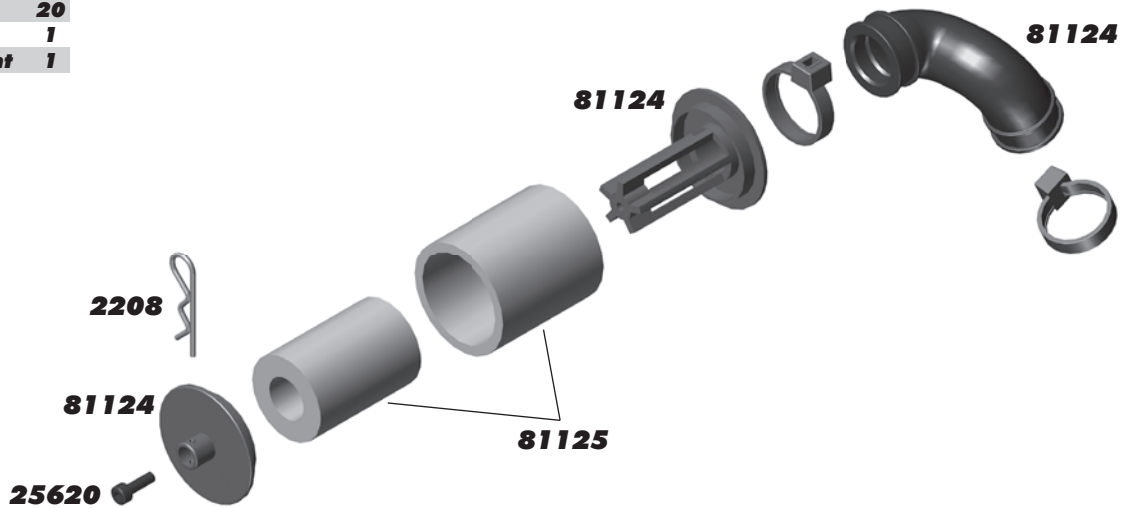
**:: Clutch (RC8T3.2 Nitro)**

81365	Clutch Springs (0.90, 4 Shoe) - KIT	4
81366	Clutch Springs (0.95, 4 Shoe) - KIT	4
81367	Clutch Springs (1.00, 4 Shoe)	4
81368	Clutch Springs (1.05, 4 Shoe)	4
81369	Clutch Springs (1.10, 4 Shoe)	4
81370	RC8B3.1 Flywheel (4 Shoe)	1
81371	RC8B3.1 Flywheel Collet (4 Shoe)	2
81372	RC8B3.1 Flywheel Nut (4 Shoe)	1
81373	Clutch Shoe Pins (4 Shoe)	4
81374	Clutch Bell (13T, Vented, 4 Shoe)	1
81375	Clutch Shoe, Hard (4 Shoe) - KIT	2
81377	Clutch Shoe, Composite Hard (4 Shoe)	2
81402	Clutch Shoe, Composite (4 Shoe) - KIT	2
89148	Clutch Bell Shim Set	1
89218	3 x 8mm Washer	10
89223	3 x 8mm SHCS	10
91560	5 x 10 x 4mm Bearing	2



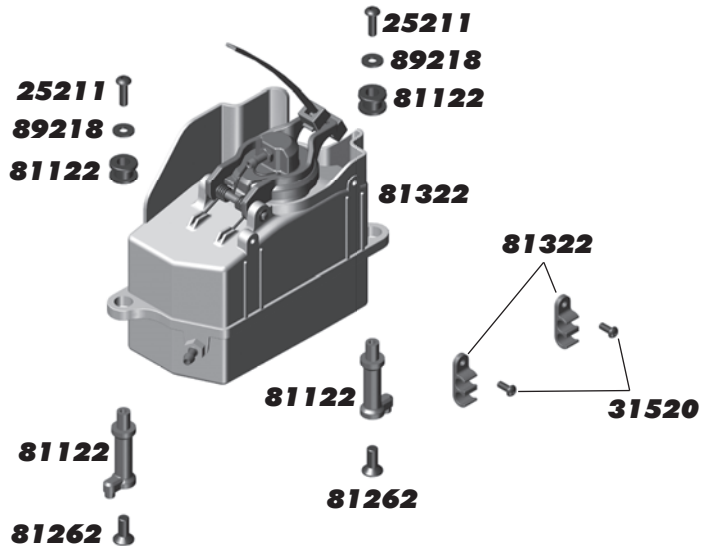
**:: Air Filter (RC8T3.2 Nitro)**

2208	Body Clips, Large	6
25620	3 x 10mm SHCS	20
81124	RC8B3 Air Filter & Boot	1
81125	RC8B3 Air Filter Element	1



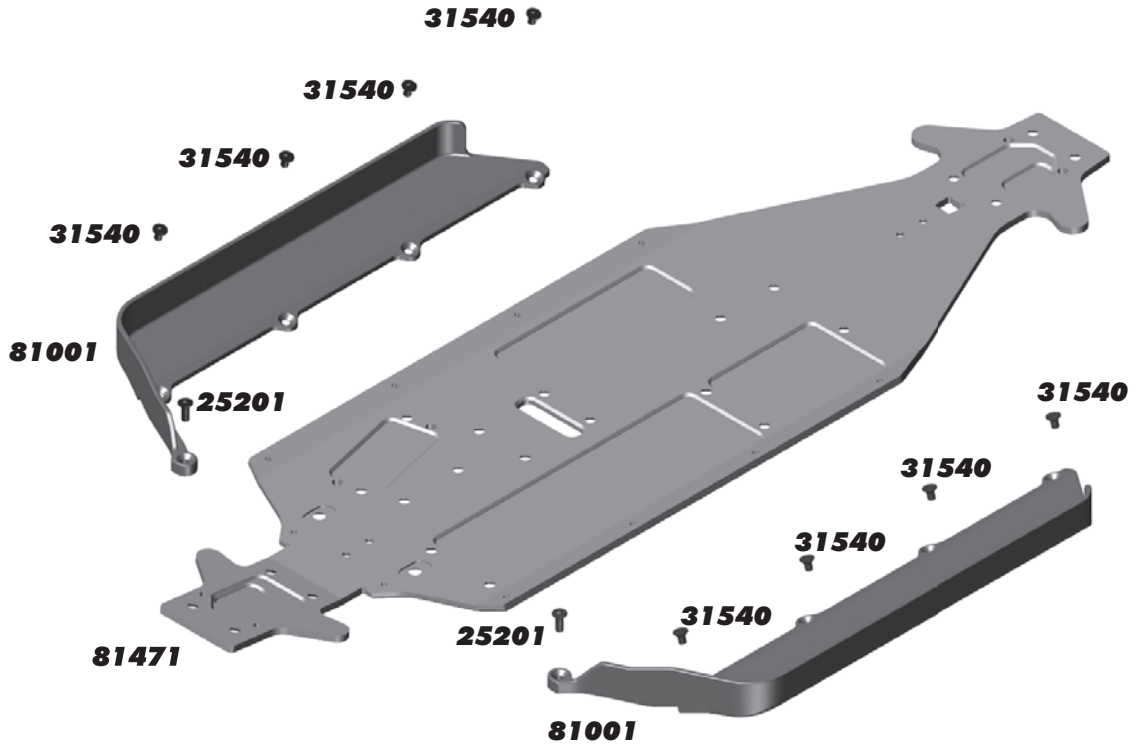
**:: Fuel Tank (RC8T3.2 Nitro)**

25211	3 x 10mm BHCS	20
31520	2.5 x 6mm BHCS	6
81122	RC8B3 Tank Post / Grommet	2 ea.
81262	4 x 10mm FHCS	6
81322	RC8T3 Fuel Tank	1
89218	3 x 8mm Washer	10



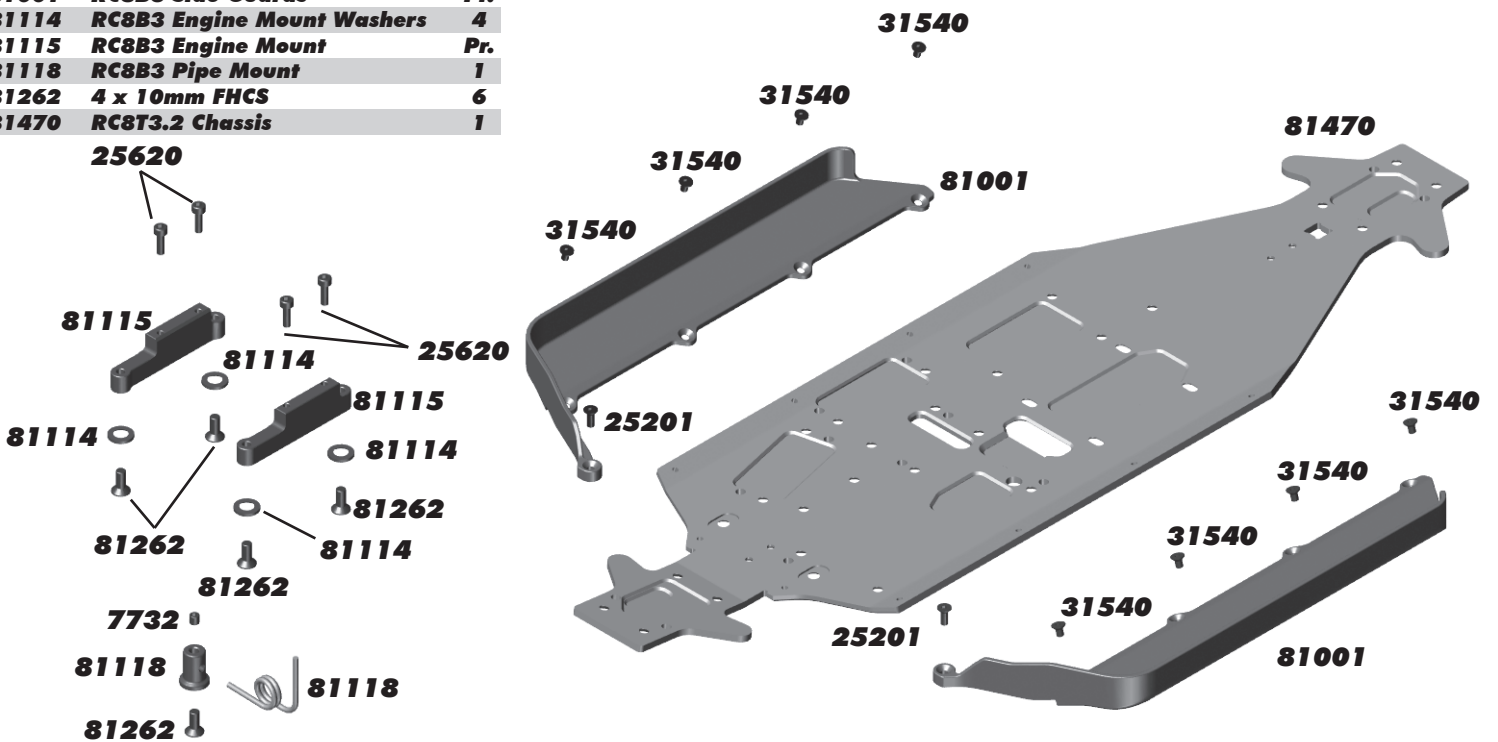
**:: Chassis (RC8T3.2e)**

25201	3 x 8mm FHCS	20
31540	3 x 5mm FHCS	6
81001	RC8B3 Side Guards	Pr.
81471	RC8T3.2e Chassis	1



**:: Chassis (RC8T3.2 Nitro)**

7732	4 x 4mm Set Screw	6
25201	3 x 8mm FHCS	20
25620	3 x 10mm SHCS	20
31540	3 x 5mm FHCS	6
81001	RC8B3 Side Guards	Pr.
81114	RC8B3 Engine Mount Washers	4
81115	RC8B3 Engine Mount	Pr.
81118	RC8B3 Pipe Mount	1
81262	4 x 10mm FHCS	6
81470	RC8T3.2 Chassis	1



**:: Factory Team and Option Parts**

25392	3mm Blue Locknut, Flanged	10
27128	Servo Washers, aluminum, black	4
31550	M3 Aluminum Lock Nut	6
81064	FT RC8B3 Graphite Steering Block Arms, +2 deg.	Pr.
81068	Factory Team Aluminum Pillow Balls	2
81077	Factory Team Aluminum Rear Hubs	Pr.
81085	Servo Saver Arm, aluminum	1
81092	FT Aluminum Steering Bellcrank Posts	2
81116	RC8B3 FT Engine Mount Base	1
81117	RC8B3 FT Engine Mounts	Pr.
81210	FT 16 mm Pistons, 8x1.2 mm, tapered, angled	Pr.
81211	FT 16 mm Pistons, 8x1.3 mm, tapered, angled	Pr.
81301	RC8B3 Chassis Braces, short (front and rear)	1
81382	FT Differential Cross Pins, with inserts	1
81396	Clutch Bell 14T, vented, 4 shoe	1
81405	RC8B3.1 FT Chassis Weight, 15g	1
81406	RC8B3.1 FT Chassis Weight, 30g	1
81407	RC8B3.1 Shock Seal Bushing Set	4 ea.
81410	RC8B3.1 Shock Bushings, blue aluminum	4
81413	RC8B3 FT Rigid Engine Mount	1
81420	FT 4-Shoe Adjustable Clutch System	1
81421	FT Adjustable Flywheel and Spring Cam	1
92100	FT Aluminum Wing Buttons	2

**:: Wheels / Tires / Bodies / Decals**

726	Reedy 2016 Sticker Set	1
81324	RC8T3 Pro Line Body with Mask	1
81325	RC8T3 Decal Sheet	1

**:: Reedy Chargers and Accessories**

27200	1216-C2 Dual AC/DC Comp. Battery Charger	1
27201	324-S AC LiPo/LiFe Compact Balance Charger	1
27202	123-S AC LiPo Compact Balance Charger	1
27220	7-in-1 Universal Charge Lead (4mm)	1
27221	T-plug Charge Lead (4mm)	1
27222	XH 2-6S Balance Board (4mm)	1
27223	RX Charger Lead FUT (4mm)	1
27224	US to IEC 320 C5 angle 1M AC Power Cord	1
27226	EU to IEC 320 C5 angle 1M AC Power Cord	1
27232	4mm/5mm Pro Charge Lead	1

**:: Reedy Batteries**

302	AA Alkaline 1.5V (4)	1
756	Wolfpack LiPo 4000mAh 35C 14.8V w/T-Plug	1
27313	LiPo Pro TX/RX 2400mAh 7.4V Flat	1
27315	LiFe Pro TX/RX 1600mAh 6.6V Flat	1
27353	Zappers SG3 6400mAh 115C 15.2V Stick	1
27354	Zappers SG3 5200mAh 115C 15.2V LP Stick	1

**:: Reedy Comp. Motors & Spare Parts**

27405	Sonic 866 Competition 1/8 Buggy Motor 1900kV	1
27406	Sonic 866 Competition 1/8 Buggy Motor 2100kV	1
27407	Sonic 877 Competition 1/8 Truggy Motor 2000kV	1
27408	Sonic 866 Rotor - Standard	1
27409	Sonic 866 Rotor - Low-Torque	1
27410	Sonic 877 Rotor- Standard	1
27411	Sonic 866/877 Screw Set (11 pcs.)	1
27412	Sonic 866/877 Bearing Set (pr.)	1
27413	Sonic 866/877 Sensor Board w/bearing	1

**:: Reedy Comp. Motors Accessories**

978	Flat Sensor Wire 70mm	1
979	Flat Sensor Wire 110mm	1
980	Flat Sensor Wire 150mm	1
981	Flat Sensor Wire 200mm	1
982	Flat Sensor Wire 270mm	1
994	Flat Sensor Wire 125mm	1
995	Flat Sensor Wire 175mm	1
27423	30mm Lightweight Motor Fan w/195mm extension	1
27457	30mm Aluminum Motor Fan w/195mm extension	1
27458	40mm Aluminum Motor Fan w/195mm extension	1

**:: Reedy ESC'S**

27007	Blackbox 850R Competition 1/8 ESC	1
27008	Blackbox 850R Competition 1/8 ESC w/Programmer	1
27027	Blackbox PROgrammer2	1
27030	Blackbox ESC/Programmer2 Connection Wire	1
27032	Blackbox 850R 30x30x10mm Fan w/screws	1

**:: Reedy Servos & Accessories**

27100	RS1206 Digital HV Hi-Speed Competition Servo	1
27101	RT1508 Digital HV Hi-Torque Competition Servo	1
27102	RS1206 Servo Case Set w/screws	1
27103	RS1206 Servo Gear Set	1
27105	RT1508 Servo Gear Set	1
27114	RT2406 Digital HV Brushless Competition Servo	1
27122	Reedy Aluminum Servo Horn (25)	1
27123	Reedy Aluminum Clamping Servo Horn (25)	1
27135	RT2406 Gear Set	1
27136	RT2706A Gear Set	1
27139	RT2406 Case Set	1

**:: Reedy Accessories**

643	Low Profile Bullet Plug 4mm x 14mm (2)	1
644	Low Profile Bullet Plug 4mm x 14mm (10)	1
645	Low Profile Bullet Plug 5mm x 14mm (2)	1
646	Low Profile Bullet Plug 5mm x 14mm (10)	1
647	Silicone Wire 12AWG-Black (1m)	1
648	Silicone Wire 14AWG-Black (1m)	1
650	Shrink Tubing - 15pcs 4.5mm x 20mm	1
747	Silicone Wire 12AWG-Black (30m)	1
790	Silicone Wire 13AWG-Black (1m)	1
791	Silicone Wire 13AWG-Black (30m)	1
792	Low Profile Caged Bullet Plug 4mm x 14mm (2)	1
794	Low Profile Caged Bullet Plug 5mm x 14mm (2)	1

**:: Fueling Supplies (RC8T3.1 Nitro)**

1738	FT Glow Starter	2
1747	Nitro Fuel Bottle Pro, 500cc	1
1751	FT Compact Starter Box	1
7724	Fuel Line 15"	1
7725	Fuel Line 3'	1

**:: MyLaps Transponders**

MLP10R120	MyLaps RC4 (3-wire) Transponder	1
MLP10R147	MyLaps RC4 (3-wire) Pro Transponder, Black	1
MLP40R222	MyLaps Transponder Holder	1

**:: Apparel / Promotional****TEE SHIRTS**

SP124*	AE 2017 Worlds Tee, Black (S, M, L, XL-5XL)	1
SP126*	Team Assoc. Tri T-Shirt, Black (S, M, L, XL-5XL)	1
SP128*	Team Assoc. Womens Tri T-Shirt, Black (S, M, L)	1
SP129*	Team Assoc. Youth Tri T-Shirt, Black (S, M, L)	1
SP130*	Team Assoc. Youth WC19 T-Shirt, Black (S, M, L)	1
SP131*	Team Assoc. Womens WC19 T-Shirt, Black (S, M, L)	1
SP132*	Team Assoc. WC19 T-Shirt, Black (S, M, L, XL-5XL)	1
SP143*	Reedy W19 T-Shirt, Black (S, M, L, XL-3XL)	1
SP161*	FT T-Shirt, White (S, M, L, XL-3XL)	1
SP200*	Element RC Logo Tee, Gray (S, M, L, XL-5XL)	1
SP201*	Element RC Rhombus Tee, Black (S, M, L, XL-5XL)	1

**HOODIES/JACKETS**

SP125*	AE 2017 Worlds Pullover, Black (S, M, L, XL-3XL)	1
SP127*	Team Associated Tri Zip Up, Black (S, M, L, XL-3XL)	1
SP142*	Reedy W19 Hoodie - Black (S, M, L, XL-3XL)	1
SP160*	FT Logo Lightweight "Medal" Zip Up Streaked, Black (S, M, L, XL-4XL)	1
SP230*	Element RC Zip Up, Black (S, M, L, XL-5XL)	1
SP231*	Element RC Hoodie, Black (S, M, L, XL-5XL)	1
SP250*	Element RC Jacket, Black (S, M, L, XL-2XL)	1

**HATS**

SP20	AE Patch Trucker Hat	1
SP260	Element RC Hat, Curved Bill, Black	1
SP261	Element RC Hat, Flat Bill, Black	1
SP262	Element RC Beanie, Black	1
SP430	Reedy Trucker Hat 2018	1
SP431	Team Associated Tri Trucker Hat, Flat Bill	1
SP432	Team Associated Tri Trucker Hat, Curved Bill	1
SP434	FT Logo Trucker Hat, Flat Bill	1
SP435	FT Logo Trucker Hat, Curved Bill	1

**BANNERS/MATS CARRIERS**

SP115	Reedy Circuit Cloth Banner	1
SP280	Element RC Counter Top Mat	1
SP281	Element RC Pit Mat	1
SP282	Element RC Pit Towel	1
SP283	Element RC Vinyl Banner, 48x24	1
SP284	Element RC Vinyl Banner, 20x12	1
SP285	Element RC Pin Pattern Counter Top Mat	1
SP425	FT Fluid Carrier	1

**:: Lubes / Adhesives / Decals / Misc.**

1105	FT Green Slime Shock Lube	1
1596	FT Locking Adhesive	1
1597	FT Tire Adhesive	1
6588	Black Grease - 4cc	1
6591	Diff Lube - 4cc	1
6636	Silicone Grease - 4cc	1
6727	Servo Tape	2
7710	FT Foam Prefilter Treatment, 1 oz.	1
9787	FT Chassis Protective Sheet	1
81324	RC8T3 Pro Line Body	1
81325	RC8T3/T3e Decal Sheet	1

1596

**:: Tools**

1111	FT Turnbuckle Wrench - 1/10 Vehicles	1
1112	FT 4mm Turnbuckle Wrench - 1/10 Vehicles	1
1113	12mm Big Bore Shock Tool	1
1114	FT Dual Turnbuckle Wrench	1
1449	Off Road Ride Height Gauge	1
1452	FT TC Ride Height Gauge - Touring Car Vehicles	1
1498	FT Universal Tire Balancer	1
1499	FT Body Reamer	1
1500	FT 1.5mm Hex Driver	1
1501	FT 2.0mm Hex Driver	1
1502	FT 2.0mm Ball Hex Driver	1
1503	FT 2.5mm Hex Driver	1
1504	FT 2.5mm Ball Hex Driver	1
1505	FT 3.0mm Hex Driver	1
1506	FT 5.0mm Hex Driver	1
1507	FT 5.5mm Nut Driver	1
1508	FT 7.0mm Nut Driver	1
1510	FT 1.5mm Hex Replacement Tip	1
1511	FT 2.0mm Hex Replacement Tip	1
1512	FT 2.0mm Ball Replacement Tip	1
1513	FT 2.5mm Hex Replacement Tip	1
1514	FT 2.5mm Ball Replacement Tip	1
1515	FT 3.0mm Hex Replacement Tip	1
1518	FT Hex Driver Tool Set (3pcs)	1
1519	FT Hex/Nut Driver Tool Set (5pc)	1
1522	FT Digital Scale, 100/0.01g	1
1555	FT Clutch Gauge, 4 Shoe	1
1568	FT 5.5mm Short Nut Driver	1
1569	FT 7mm Nut Driver, T-Handle	1
1570	FT 5.5mm Short Nut Driver	1
1571	FT 1:8 Wheel Nut Wrench, 17mm Hex	1
1579	FT Ball Cup Wrench	1
1595	Chassis Weights, 1/4 oz	1
1650	7 Piece Hex Driver Set	1
1657	FT 1/4" Hex Drive .050" Tip	1
1659	FT 1/4" Hex Drive 5/64" - 2.0mm Tip	1
1661	FT 1/4" Hex Drive 1.5mm Tip	1
1662	FT 1/4" Hex Drive 2.5mm Tip	1
1666	FT 1/4" Hex Drive 5.5mm Nut Driver Tip	1
1667	FT 1/4" Hex Drive 7.0mm Nut Driver Tip	1
1668	FT 1/4" Hex Drive 8.0mm Nut Driver Tip	1
1674	FT 1/4" 5 Piece Power Tool Tips Set (5/64-2.0mm, 1.5mm, 2.5mm, 5/64"- 2.0mm ball, 2.5mm ball)	1
1675	FT Shock Shaft Pliers	1
1679	FT T-Handle Ratchet Driver	1
1719	FT Camber + Track Width Tool	1
1737	FT Body Scissors	1
3718	12 Inch Nylon Wire Ties	12
3987	FT Droop Gauge - Touring Car Vehicles	1
89240	RC8 FT Turnbuckle Wrench	1

\*\* Use part number plus the desired size when ordering!



21062 Bake Parkway Lake Forest, CA 92630 USA

call: (949) 544-7500 - fax: (949) 544-7501

visit us at: [www.AssociatedElectrics.com](http://www.AssociatedElectrics.com)  
for all of our current products, new releases, setup help,  
tips, and racing info!

**FOLLOW US ON SOCIAL MEDIA**



**TeamAssociated**  
**ReedyPower**  
**ElementRC**



**@TeamAssociatedRC**  
**@ReedyPower**  
**@Element RC**



**@Team\_Associated**  
**@ReedyPower**



**AEFactoryTeam**