

## Front Suspension:

**RESET**

**Ride Height:** 39mm (Body Off + Full Tank)

**Toe:** Tierod Gap = 62mm **Hex:** #81319 11.5mm

**Anti-Roll Bar**

**Size:** 2.2 mm

**Gap:** 2 mm

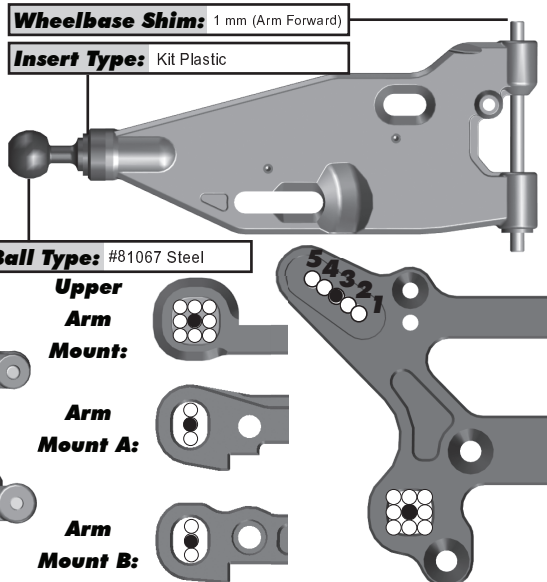
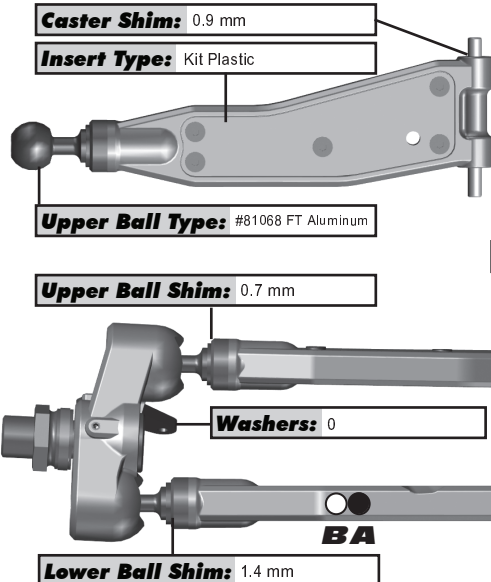
**Ackerman**

**Steering Arm Plate:** Kit

**Drive Shaft:** CVAs:  Universals:

**Chassis Brace:** Short:  Long:

**Notes:** #81085 Servo Saver Arm, Aluminum  
Ackerman Rack Position Towards Front Of Car



## Rear Suspension:

**Ride Height:** 42 mm (Body Off + Full Tank)

**Camber:** -2° **Hex:** #81319 11.5mm (Kit)

**Anti-Roll Bar**

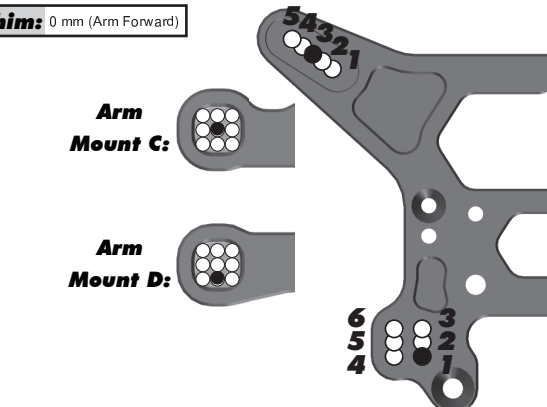
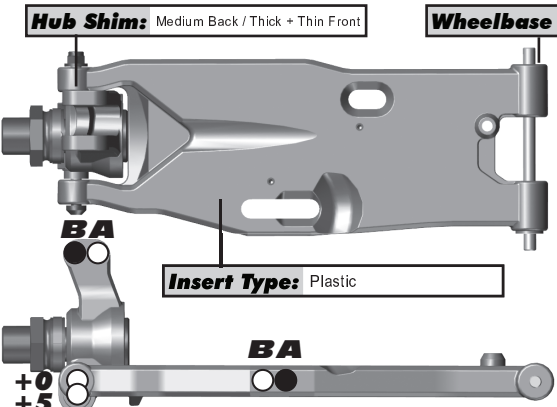
**Size:** 2.5 mm

**Gap:** 1mm (Ball Reversed)

**Drive Shaft:** CVAs:  Universals:

**Chassis Brace:** Short:  Long:

**Notes:** #81077 FT Aluminum Rear Hubs (Center Location)



## Electronics and Engine:

**Radio:** Futaba 7PXR

**Receiver Battery:** Protek

**Throttle Servo:** Savox 2290 Monster

**Steering Servo:** Savox 2290 Monster

**EPA:** Throttle: N/A % Brake: N/A %

**Brake Bias:** 50/50 **D/R:** 100 %

**Engine:** MX **Temp:** N/A

**Muffler:** O.S. 2090 **Fuel:** MX 30%

**Restrictor:** 7 mm **Glow Plug:** O.S. P3

**Notes:**

## Differential:

	Front	Center	Rear
<b>Fluid:</b>	#5447 FT 15k	#5447 FT 15k	#5454 FT 7k
<b>Gears:</b>	HTC	HTC	HTC
<b>Mass:</b>	N/A	N/A	N/A
<b>O-Rings:</b>	No	No	No

## Clutch and Gearing:

**Spur Gear:** 46 **Bell:** 13

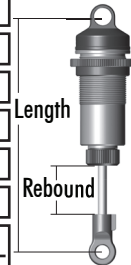
**Shoes:** #81375 Hard Aluminum x 2 + #81377 Composite x 2

**Springs:** #81367 1.00 mm x 2 + #81366 0.95 mm x 2

**Notes:**

## Shocks:

	Front	Rear
<b>Piston:</b>	#81200 6 x 1.3 Kit	4 x 1.4 + 2 x 1.4 Kit Tapered
<b>Fluid:</b>	#5432 FT 42.5 wt	#5432 FT 42.5 wt
<b>Bladder:</b>	#81453 Stiff	#81453 Stiff
<b>Rebound:</b>	0	0
<b>Spring:</b>	#81225 V2 Blue	#81231 V2 Blue
<b>Length:</b>	106 mm	126 mm
<b>Notes:</b>	#81176 & #81177 Chrome Shock Shafts; #81407 Machined Shock Internals;	



## Track Info:

**Size:** Small  Medium  Large  Extra Large

**Surface:** Dirt  Carpet  Astroturf  Multi Surface

**Traction:** Low  Medium  High  Very High

**Moisture:** Dry  Damp  Wet

**Condition:** Indoor  Outdoor  Dusty  Hard Packed   
Bumpy  Grooved  Smooth  Loamy

**Temperature:** Ambient: 50°F Track: 50°F

**Notes:**

## Tires:

**Front Tire/Compound/Insert/Wheel:**  
JConcepts Reflex / Green / Dirt Tech / Mono

**Rear Tire/Compound/Insert/Wheel:**  
JConcepts Reflex / Green / Dirt Tech / Mono

**Notes:**

**Radio Tray Flex Assembly:**

**Transponder Mount:**  **None:**

**Radio Tray Brace:**

## Body and Wing:

**Body:** JConcepts Finisher

**Wing:** JConcepts F21

**Wing Height:** High:  Low:

**Gap to Tower:** 19 mm

**Weight:**

**Total Weight:** N/A

**Notes:** #81405 FT RC8B3.1 Rear Chassis Weight, 15g

## Vehicle Comments:

**Notes:** #81116 FT Engine Mount Base; #81117 FT Engine Mounts