

## Front Suspension:

RESET

**Ride Height:** 39 mm

**Camber:** N/A

**Toe:** + 2 (Tierod Gap = 63.0 mm)

**Anti-Roll Bar**

**Size:** 2.3 mm (Black)

**Gap:** 1.5 mm

**Ackerman**

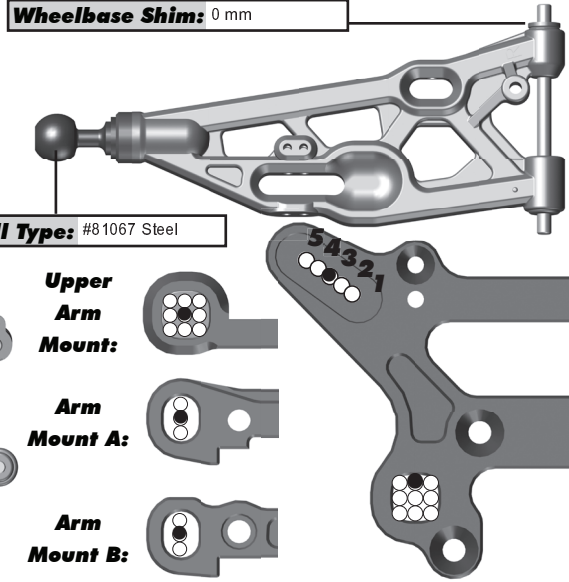
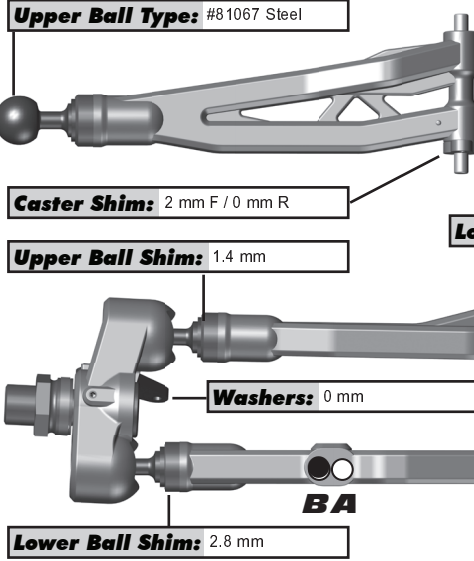
**Notes:** #81066 RC8B3 Steering Plates

**Drive Shaft:** CVAs:  Universals:

**Chassis Brace:** Short:  Long:

**Hex:** #81080 RC8B3 Wheel Hexes, +2 mm

**Notes:** #81417 FT Graphite Arm Stiffeners, front upper  
#81416 FT Graphite Arm Stiffeners, front lower



## Rear Suspension:

**Ride Height:** 44 mm

**Camber:** -2.5\*

**Anti-Roll Bar**

**Size:** 2.7 mm (Blue)

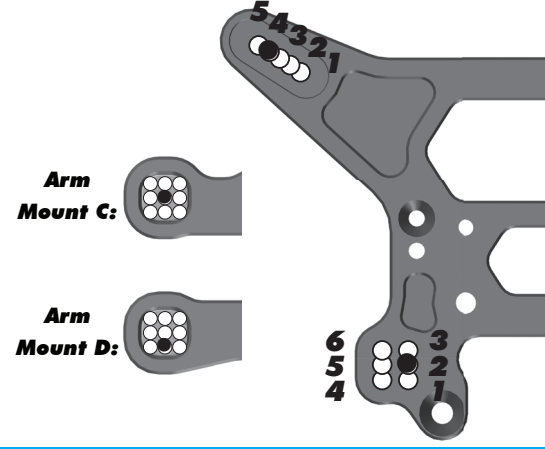
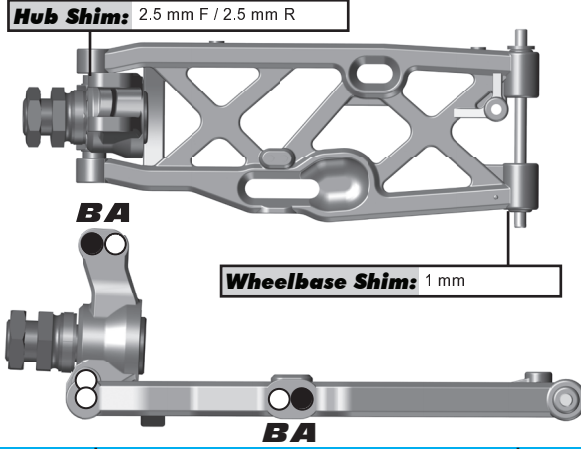
**Gap:** 1 mm (Ball Reversed)

**Drive Shaft:** CVAs:  Universals:

**Chassis Brace:** Short:  Long:

**Hex:** #81319 RC8T3 Wheel Hexes, 11.5 mm

**Notes:** #81415 FT Graphite Arm Stiffeners, rear lower  
#81077 FT Aluminum Rear Hubs (Middle Position)



## Electronics:

**Radio:** Sanwa M17

**Servo:** #27115 Reedy RT2706A

**EPA:** Throttle: 100 % Brake: 85 %

**EXPO:** Throttle: 0 % Brake: 0 %

**ESC:** #27007 Reedy Blackbox 850R

**Motor:** #27407 Reedy Sonic 877 2000 kV

**Battery:** #27342 Reedy Zapper SG 6400 mAh

**Notes:** Steering Speed = -15% Forward / -15% Return

## Differential:

|                | Fluid  | Gear Set | Planet O-Rings |
|----------------|--------|----------|----------------|
| <b>Front:</b>  | 10,000 | HTC      | None           |
| <b>Center:</b> | 10,000 | HTC      | None           |
| <b>Rear:</b>   | 7,000  | HTC      | None           |

**Gearing:**

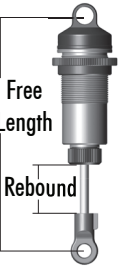
**Spur Gear:** 46 **Pinion:** 15

**Notes:** Motor cooling fan

## Shocks:

|                     | Front             | Rear                      |
|---------------------|-------------------|---------------------------|
| <b>Piston:</b>      | #81200 6x1.3 Flat | #81200 6x1.4 Flat Drilled |
| <b>Fluid:</b>       | 50 wt             | 50 wt                     |
| <b>Cap:</b>         | #81179 Bleeder    | #81179 Bleeder            |
| <b>Rebound:</b>     | 0 mm              | 0 mm                      |
| <b>Spring:</b>      | 7.5T/75 mm        | Tekno Orange              |
| <b>Free Length:</b> | Full              | Full                      |

**Notes:** #81407 Shock Seal Bushing Set; #81164 & #81165 Fox Shock Bodies;



## Track Info:

**Size:** Small  Medium  Large  Extra Large

**Surface:** Dirt  Carpet  AstroTurf  Multi Surface

**Traction:** Low  Medium  High  Very High

**Moisture:** Dry  Damp  Wet

**Condition:** Indoor  Outdoor  Dusty  Hard Packed   
Bumpy  Grooved  Smooth  Loamy

**Temperature:** Ambient: 50F Track: 55F

**Notes:**

## Tires:

**Front Tires:** JConcepts Triple Dees

**Front Compound:** Blue

**Front Insert:** JConcepts Dirt Tech

**Rear Tires:** JConcepts Triple Dees

**Rear Compound:** Blue

**Rear Insert:** JConcepts Dirt Tech

**Wheel (F/R):** JConcepts Mono

**Notes:**

## Body, Wings:

**Body:** JConcepts Finnisher

**Wing:** #81106 RC8T3.1 Kit

**Wing Height:** High:  Low:

**Gap to Tower:** Kit

**Weight:**

**Total Vehicle Weight:** N/A

**Notes:**

## Vehicle Comments:

**Notes:** #81382 FT Aluminum Cross Pins; #1367 FT 20mm Servo Horn;