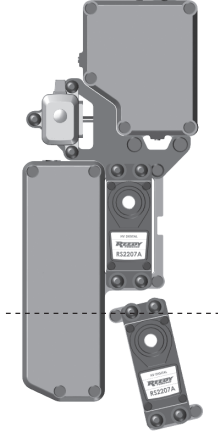


## :: #81589 RC8B4 FT Chassis, RWB

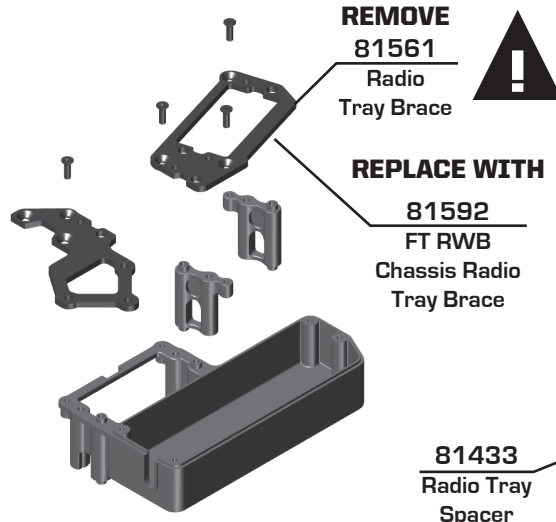
### Radio Tray Configuration:

- 1) Running the chassis requires eBuggy center driveshafts (#81580, #81581)
  - #81580, 93.5mm front
  - #81581, 104mm rear
- 2) Remove #81561 Radio Tray Brace
  - More Flex: Install #81433 radio tray spacers (see option 4 from the manual)
- OR-
- Less Flex: Install #81592 FT RWB Radio Tray Brace (+10mm)

### Option 4



More Frontward Flex



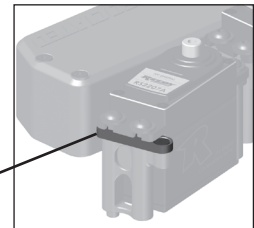
**REMOVE**  
#81561  
Radio  
Tray Brace



**REPLACE WITH**  
#81592  
FT RWB  
Chassis Radio  
Tray Brace

-OR-

#81433  
Radio Tray  
Spacer



### 3) Body Trimming:

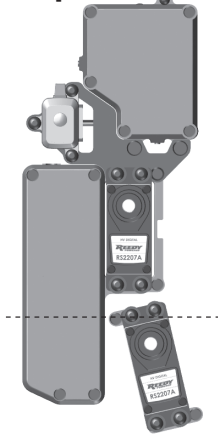
You will have to re-trim the engine cut out and fuel window opening 10mm rearward now that the engine and fuel tank are shifted to the back.

## :: #81589 RC8B4 FT Chassis, RWB

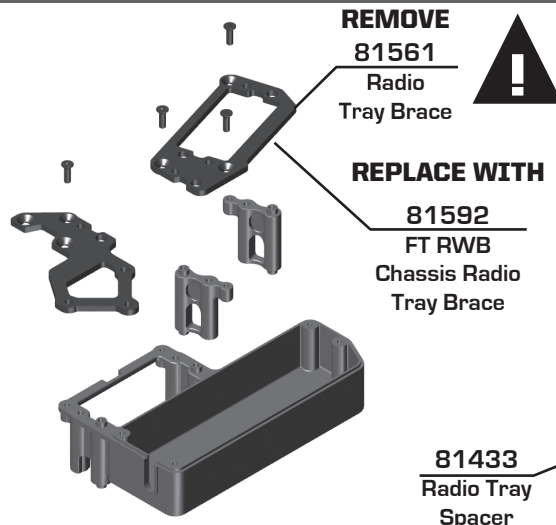
### Radio Tray Configuration:

- 1) Running the chassis requires eBuggy center driveshafts (#81580, #81581)
  - #81580, 93.5mm front
  - #81581, 104mm rear
- 2) Remove #81561 Radio Tray Brace
  - More Flex: Install #81433 radio tray spacers (see option 4 from the manual)
- OR-
- Less Flex: Install #81592 FT RWB Radio Tray Brace (+10mm)

### Option 4



More Frontward Flex



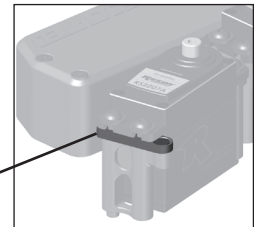
**REMOVE**  
#81561  
Radio  
Tray Brace



**REPLACE WITH**  
#81592  
FT RWB  
Chassis Radio  
Tray Brace

-OR-

#81433  
Radio Tray  
Spacer



### 3) Body Trimming:

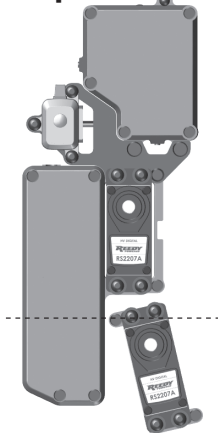
You will have to re-trim the engine cut out and fuel window opening 10mm rearward now that the engine and fuel tank are shifted to the back.

## :: #81589 RC8B4 FT Chassis, RWB

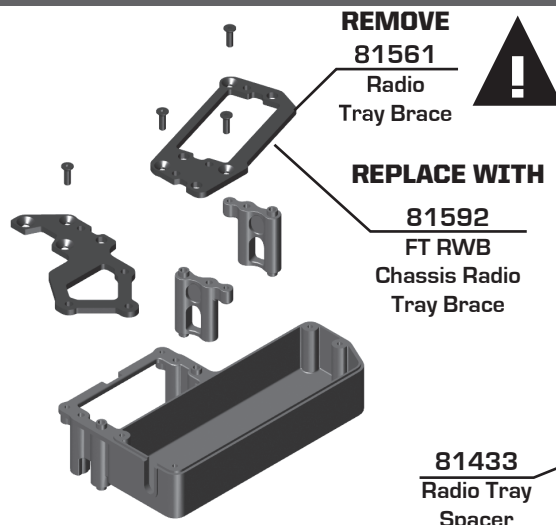
### Radio Tray Configuration:

- 1) Running the chassis requires eBuggy center driveshafts (#81580, #81581)
  - #81580, 93.5mm front
  - #81581, 104mm rear
- 2) Remove #81561 Radio Tray Brace
  - More Flex: Install #81433 radio tray spacers (see option 4 from the manual)
- OR-
- Less Flex: Install #81592 FT RWB Radio Tray Brace (+10mm)

### Option 4



More Frontward Flex



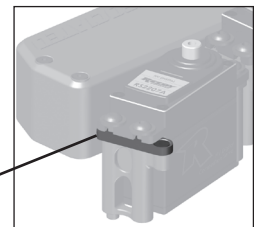
**REMOVE**  
#81561  
Radio  
Tray Brace



**REPLACE WITH**  
#81592  
FT RWB  
Chassis Radio  
Tray Brace

-OR-

#81433  
Radio Tray  
Spacer



### 3) Body Trimming:

You will have to re-trim the engine cut out and fuel window opening 10mm rearward now that the engine and fuel tank are shifted to the back.