



# RC8B4.1e

SCALE 1:8 VEHICLE

4 WHEEL DRIVE

ELEC. POWERED

OFF ROAD

NOT INCLUDED

CLEAR BODY

#80950 RC8B4.1e TEAM KIT

1:8 Scale 4WD Electric Off Road Competition Buggy Manual



CHAMPIONS by DESIGN

AssociatedElectrics.com



## :: Introduction

Thank you for purchasing this Team Associated product. This assembly manual contains instructions and tips for building and maintaining your new Kit. Please take a moment to read through this manual to help familiarize yourself with these steps. We are continually changing and improving our designs; therefore, actual parts may appear slightly different than in the illustrations. New parts will be noted on supplementary sheets located in the appropriate parts bags. Check each bag for these sheets before you start to build.

## :: KIT Features

Features in the RC8B4.1e Kit:

- New RC8B4.1e RWB/FWB adjustable weight bias chassis design to tune rear grip vs. steering
- New low CG and lightweight aluminum front and rear shock towers
- New shorter 16mm front and rear shock bodies for lower CG and lighter weight
- New 6 -hole 1.4mm front and 1.5mm taper rear machined shock pistons included with emulsion shock cap seals
- New 3-hole rear suspension arms with updated rear anti-roll bar geometry for both smooth and bumpy tracks
- New durable rear hub design with wide footprint base, and tuneable 3mm carbon fiber hub towers
- New blue aluminum front upper arm mount for added durability
- New molded RC8B4.1 front bumper with optimized profile for bumpy transitions
- 13-44 Ring and Pinion Bevel Gear Set
- 92mm universal driveshafts with 17mm outdrives
- Updated Soft Blend suspension arms for maximum durability in cold weather
- New +1 aluminum steering block arms for sharper steering on low grip
- RC8B4e centralized drivetrain and chassis configuration optimized for shorty-style batteries only
- Two battery trays included with adjustable stops for battery position adjustment
- RC8B4e 25mm wide hook and loop strap per battery tray for easy battery hold-down
- RC8B4e ESC tray with protective shield has unique position for 2x2s and 1x4s battery setups for ideal weight bias positioning
- RC8B4e receiver box with built-in servo mounts has integrated cable routing and increased volume for fitting taller antenna-less receivers
- Wire routing clips included for clean wiring of batteries and motor with sensor wire
- Two-piece clamping motor mount which can shift to the forward or rearward location to support FWB or RWB.

## :: Additional

Your new RC8B4e Kit comes as a kit. There are items you will need to complete your kit (refer to the website for suggestions):

- 2 or 3 channel radio/transmitter (2.4GHz recommended)
- Two 2s or One 4s LiPo Battery Pack
- Polycarbonate-specific paint
- 1:8 scale buggy tires and wheels
- Reamer / hole punch
- Transmitter batteries
- 1/8th scale sized motor
- Thread-locking compound
- CA (cyanoacrylic) glue
- Ride height gauge
- Steering servo
- 1/8th scale sized ESC
- Needle-nose pliers
- Hobby knife

## :: Other Helpful Items

- Silicone Shock/Diff Fluids (Refer to the website for complete listings):
- Shock Pliers
- Reamer / Hole Punch - (#1499)
- Ride Height Gauge
- FT Hex Wrenches - (#1506, 1518)
- Wire Cutters
- Turnbuckle Wrench - (#1114)
- Body Scissors (AE #1737)
- FT Hex Wrenches / Nut Drivers - (#1519)
- Calipers or a Precision Ruler
- Wheel Nut Wrench 17mm - (#1571)

**Associated Electrics, Inc.**  
21062 Bake Parkway  
Lake Forest, CA 92630



**Customer Service**  
Tel: 949.544.7500  
Fax: 949.544.7501

**:: Hardware - 1:1 Scale View**

**Flat Head (fhcs)**

	<b>2.5x6mm (4675)</b>
	<b>2.5x8mm (31448)</b>
	<b>3x5mm (31540)</b>
	<b>3x6mm (31541)</b>
	<b>3x8mm (25201)</b>
	<b>3x10mm (25202)</b>
	<b>3x12mm (25203)</b>
	<b>3x14mm (89208)</b>
	<b>3x30mm (89212)</b>
	<b>4x10mm (81262)</b>
	<b>4x12mm (89214)</b>
	<b>4x14mm (89217)</b>
	<b>4x16mm (81263)</b>
	<b>4x20mm (81264)</b>

**Button Head (bhcs)**

	<b>2.5x6mm (31520)</b>
	<b>2.5x8mm (31521)</b>
	<b>2.5x18mm (81259)</b>
	<b>3x6mm (31531)</b>
	<b>3x8mm (31532)</b>
	<b>3x10mm (25211)</b>
	<b>3x12mm (89202)</b>
	<b>3x14mm (25187)</b>
	<b>3x16mm (89203)</b>
	<b>3x18mm (2308)</b>
	<b>3x20mm (25188)</b>
	<b>3x22mm (25189)</b>
	<b>3x24mm (89204)</b>
	<b>4x14mm (81260)</b>
	<b>4x16mm (81261)</b>

**Set Screws**

	<b>3x3mm (25225)</b>
	<b>3x6mm (81257)</b>
	<b>3x10mm (4671)</b>
	<b>3x12mm (81258)</b>
	<b>4x4mm (7732)</b>
	<b>5x4mm (89221)</b>

**Socket Head (shcs)**

	<b>2x5mm (31511)</b>
	<b>2x16mm (7184)</b>
	<b>3x10mm (25620)</b>
	<b>3x12mm (89454)</b>
	<b>3x24mm (89225)</b>
	<b>3x26mm (89226)</b>
	<b>3x28mm (89227)</b>

**LP Socket Head (lp shcs)**

	<b>3x6mm (41089)</b>
	<b>3x10mm (41090)</b>
	<b>3x14mm (41094)</b>
	<b>3x16mm (41093)</b>
	<b>3x20mm (41091)</b>

**Ball Bearings**

	<b>5x8x2.5mm (8680)</b>
	<b>5x10x4mm (91560)</b>
	<b>6x10mm (31404)</b>
	<b>6x13x5mm flanged (91559)</b>
	<b>8x16x5mm (91564)</b>
	<b>8x16x5mm flanged (91565)</b>

**Nuts (lock/plain)**

	<b>M3 Nut (91477)</b>
	<b>M3 Alum. Locknut, Blue (31550)</b>
	<b>M3 Locknut, Black (25215)</b>
	<b>M3 Locknut w/Flange (25612)</b>
	<b>FT 3mm Locknuts, Blue(25392)</b>
	<b>FT M4 Locknut, Blue (31551)</b>
	<b>M4 Locknut, Serrated (91738)</b>

## :: Table of Contents

1..... Cover	16 - 18.....Rear End Build (Bags 7.1, 7.2, 7.3)
2..... Introduction	19.....Rear Hubs Build (Bags 8.1, 8.2)
3..... 1:1 Hardware "Fold Out"	20 - 21.....Center Bulkhead Build (Bag 9.1)
4..... Table of Contents	21 - 22.....Radio Tray Build (Bag 10.1, 11.1)
5 - 7.....Differentials Build (Bags 1.1, 1.2)	22 - 23.....Battery Tray Build (Bag 12.1)
7 - 8.....Shocks Build (Bag 2.1)	24.....Wheels / Tires / Body (Misc.)
9.....Turnbuckles Build (Bags 3.1)	25.....Droop Settings
10 - 11.....Steering / Chassis Build (Bag 4.1)	26.....Back Cover
11 - 14.....Front Gearbox Build (Bags 5.1, 5.2, 5.3)	
14 - 15.....Steering Blocks Build (Bags 6.1)	

## :: Notes



**This symbol indicates a special note or instruction in the manual.**



**This symbol indicates a specific build order in the manual.**



**This symbol indicates a Racers Tip.**



**There is a 1:1 hardware foldout page in the front of the manual. To check the size of a part, line up your hardware with the correct drawing until you find the exact size. Each part in the foldout has a number assigned to it for ordering replacement parts.**

Associated Electrics, Inc.  
21062 Bake Parkway  
Lake Forest, CA 92630



Customer Service  
Tel: 949.544.7500  
Fax: 949.544.7501

**:: Differential Build (Front and Rear) - Bag 1.1, 1.2 - Step 1**

**#6588**  
black grease

**81379**  
Diff Case

**81381**  
Diff Shim  
6x8x0.20mm

**#6588**  
black grease

**81385**  
Outdrive  
O-Ring  
5.8x1.9mm

**91564**  
8x16x5  
Bearing

**81012**  
17mm  
Outdrive

**81383**  
Pin  
2.5x12mm

**81383**  
Diff Sun  
Gear, 18T,  
LTC

Center Diff HTC Gearset is bagged separately. DO NOT MIX!

Save 13.5 shims until install into gearbox

Align pin with groove in sun gear

**:: Differential Build (Front and Rear) - Bag 1.1, 1.2 - Step 2**

**81383 x4**  
Diff Shim  
3.6x12x0.12mm

**81383 x4**  
Diff Planet  
Gear, 10T,  
LTC

**81383 x2**  
Diff  
Crosspin

**81468**  
Diff Ring  
Gear,  
44/13 Set

**81381**  
Diff Shim  
6x8x0.20mm

**#6588**  
black grease

**81385**  
Outdrive  
O-Ring  
5.8x1.9mm

**91564**  
8x16x5  
Bearing

**81012**  
17mm  
Outdrive

**#6588**  
black grease

**:: Differential Build (Front and Rear) - Bag 1.1, 1.2 - Step 3**

**81380**  
Pin  
2.5x12mm

**81383**  
Diff Sun  
Gear, 18T,  
LTC

**81384**  
Diff  
Gasket

**#6588**  
black grease

Align pin with groove in sun gear

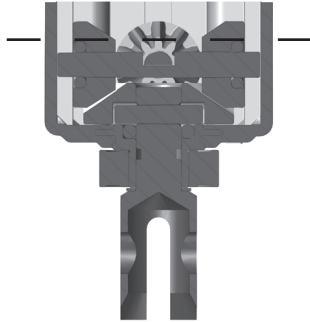
**Racer's Tip:**  
Use black grease (#6588) to coat the back side of the diff gasket [i.e. not the entire gasket] before installation!

**:: Differential Build (Front and Rear) - Bag 1.1, 1.2 - Step 4**

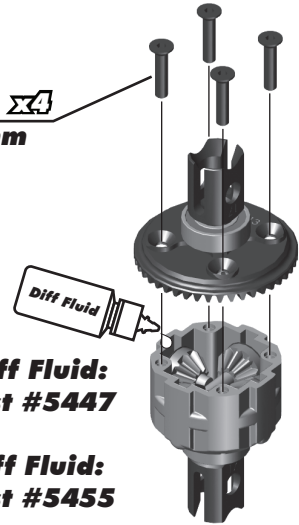


**Racer's Tip:**

Fill diff above the cross pins, below the planet gears as shown.



**25202 x4**  
**M3x10mm**  
**FHCS**



**Front Diff Fluid:**  
**15,000cst #5447**

**Rear Diff Fluid:**  
**10,000cst #5455**

**:: Differential Build (Center) - Bag 1.1, 1.2 - Step 5**



**81385**  
**Outdrive**  
**O-Ring**  
**5.8x1.9mm**

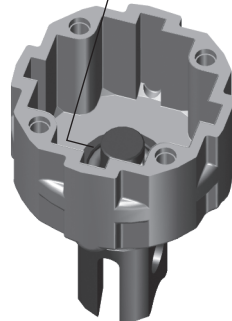
**81380**  
**Pin**  
**2.5x12mm**



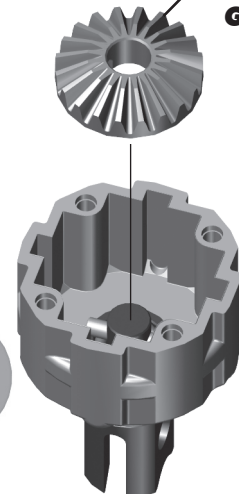
**81380**  
**Diff Sun**  
**Gear, 20T,**  
**HTC**

**81379**  
**Diff**  
**Case**

**91564**  
**8x16x5**  
**Bearing**



Align pin with groove in sun gear



**81381**  
**Diff Shim**  
**6x8x0.20mm**

**81012**  
**17mm**  
**Outdrive,**  
**Center Diff**

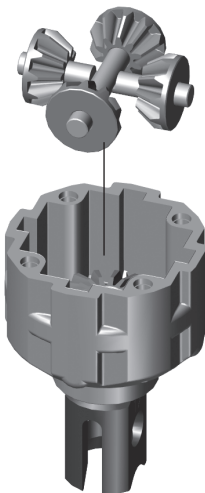
**:: Differential Build (Center) - Bag 1.1, 1.2 - Step 6**



**81380 x4**  
**Diff Planet**  
**Gear, 10T,**  
**HTC**



**81385**  
**Outdrive**  
**O-Ring**  
**5.8x1.9mm**



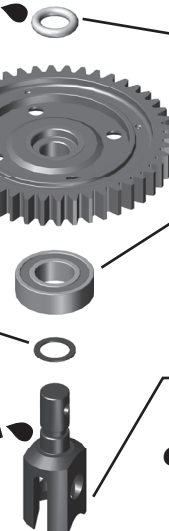
**81389**  
**Spur Gear,**  
**Plastic, 46T**

**91564**  
**8x16x5**  
**Bearing**

**81381**  
**Diff Shim**  
**6x8x0.20mm**

**81012**  
**17mm**  
**Outdrive,**  
**Center Diff**

**81380 x2**  
**Diff**  
**Crosspin**



**:: Differential Build (Center) - Bag 1.1, 1.2 - Step 7**

**81380 Pin 2.5x12mm**

**81380 Diff Sun Gear, 20T, HTC**

**81384 Diff Gasket**

**#6588 black grease**

**Racer's Tip:**  
Use black grease (#6588) to coat the back side of the diff gasket (i.e. not the entire gasket) before installation!

Align pin with groove in sun gear

**:: Differential Build (Center) - Bag 1.1, 1.2 - Step 8**

**Racer's Tip:**  
Fill diff above the cross pins, below the planet gears as shown.

**25202 3x10mm FHCS**

**Diff Fluid**

**Center Diff Fluid:**  
10,000cst #5455

**:: Shocks Build - Bag 2.1 - Step 1**

**81597 FT Shock Piston (6x1.4 flat) Front**

**89215 2.5mm Shock Piston Locknut**

**89278 2.6x6mm Washer**

**81172 TiN Shock Shaft, 3.5x33.5mm (Front)**

**81173 TiN Shock Shaft, 3.5x42.5mm (Rear)**

**81598 FT Shock Piston (6x1.5 tapered) Rear**

**81162 Shock Body, 26.5mm (Front)**

**81163 Shock Body, 36.5mm (Rear)**

**81185 Shock Body O-Ring**

**81185 Shock Body Seal Retainer**

**81185 Shock O-Ring**

**81185 Shock O-Ring Spacer**

**81185 O-Ring Hat Bushing**

**Install pistons taper down**

**:: Shocks Build - Bag 2.1 - Step 2**

**Racer's Tip:**  
Use green slime (#1105) to lube the o-rings before installation!

**81190 Shock Boots**

**81562 Rod End Ball**

**81452 RC8B3.2 Shock Cap**

**81621 Shock Rod End Front: 0 Rear: +4**

**81512 Shock Cap Insert**

**91492 2x4mm BHCS**

**91492 Gasket** ②

**81184 Emulsion Seal** ①

When installing the emulsion seal, make sure it is correctly seated within the shock cap as shown.

**:: Shocks Build - Bag 2.1 - Step 3**

**! Fill to top of shock body.**

**Front Shock Fluid: 45wt #5430**

**Rear Shock Fluid: 30wt #5422**

**! Tighten to snug, may be a small gap when sealed.**

**Pro Tip:** Tune the front fluid 40wt or 35wt in lower grip conditions

**! Bleed Procedure:**  
Remove bleeder screw  
Tilt shock so bleed hole is the highest point and slowly compress the shaft.

Stop about 3mm from full compressed, install the screw, and check that the shock is not pressurized. If so, bleed out a small amount more.

**:: Shocks Build - Bag 2.1 - Step 4**

**! The springs come with a colored marking pre-installed for easy identification**

**81221 Spring Collar O-Ring, 20mm**

**81221 Spring Collar, 20mm**

**81223 V2 Front Spring, White (5.10lb/in) L70, 9.25T, 1.6D**

**81233 V2 Rear Spring, Pink (3.70lb/in) L86, 12.00T, 1.6D**

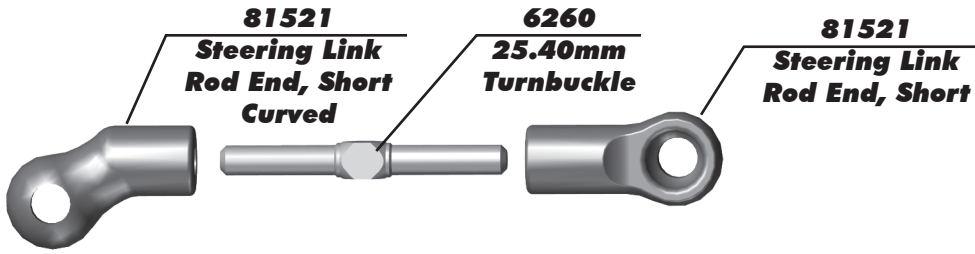
**81512 Spring Cup** ①

**25211 3x10mm BHCS** ②

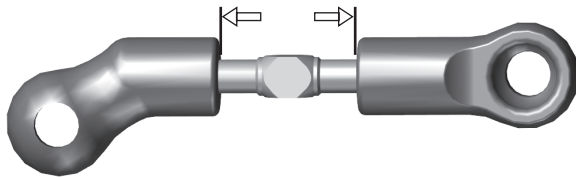


**:: Turnbuckles Build - Bag 3.1 - Step 1**

**Steering Servo Turnbuckle**



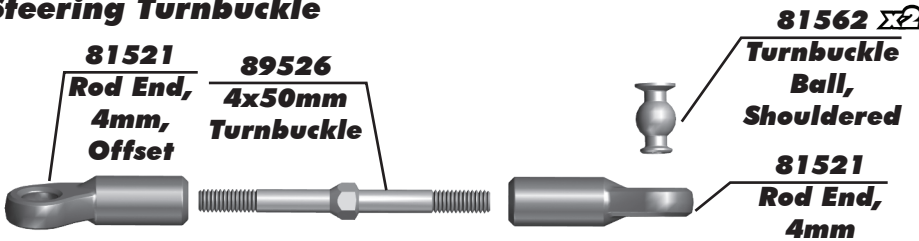
**11.50mm (0.45")**



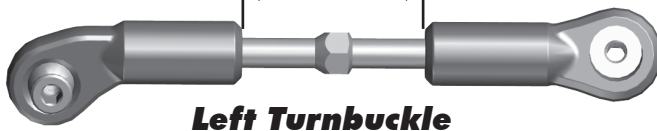
Set aside until page 22

**:: Turnbuckles Build - Bag 3.1 - Step 2**

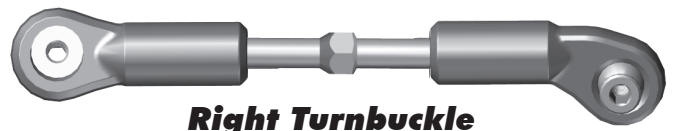
**Steering Turnbuckle**



**24.20mm (0.952")**



**Left Turnbuckle**



**Right Turnbuckle**



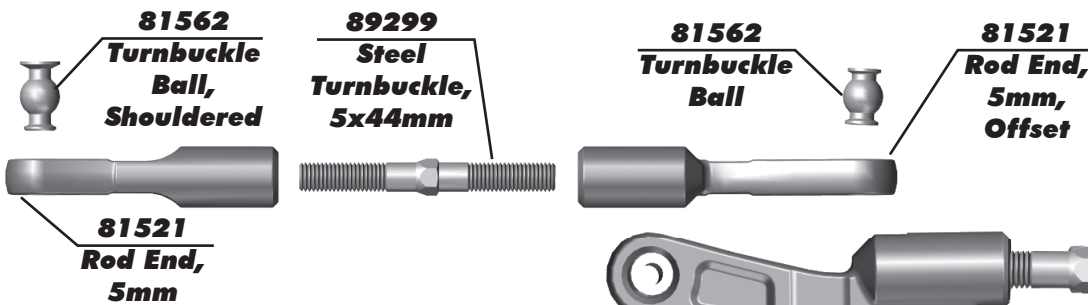
Note the direction of turnbuckle ball



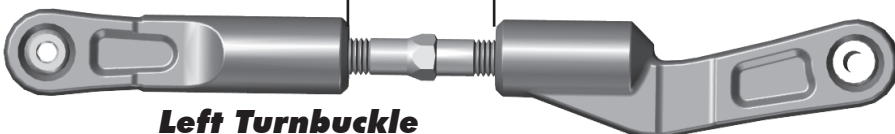
Set aside until page 15

**:: Turnbuckles Build - Bag 3.1 - Step 3**

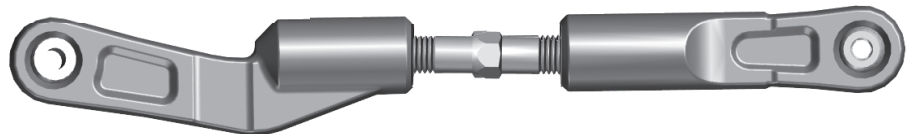
**Rear Hub Turnbuckle**



**19.70mm (0.775")**



**Left Turnbuckle**

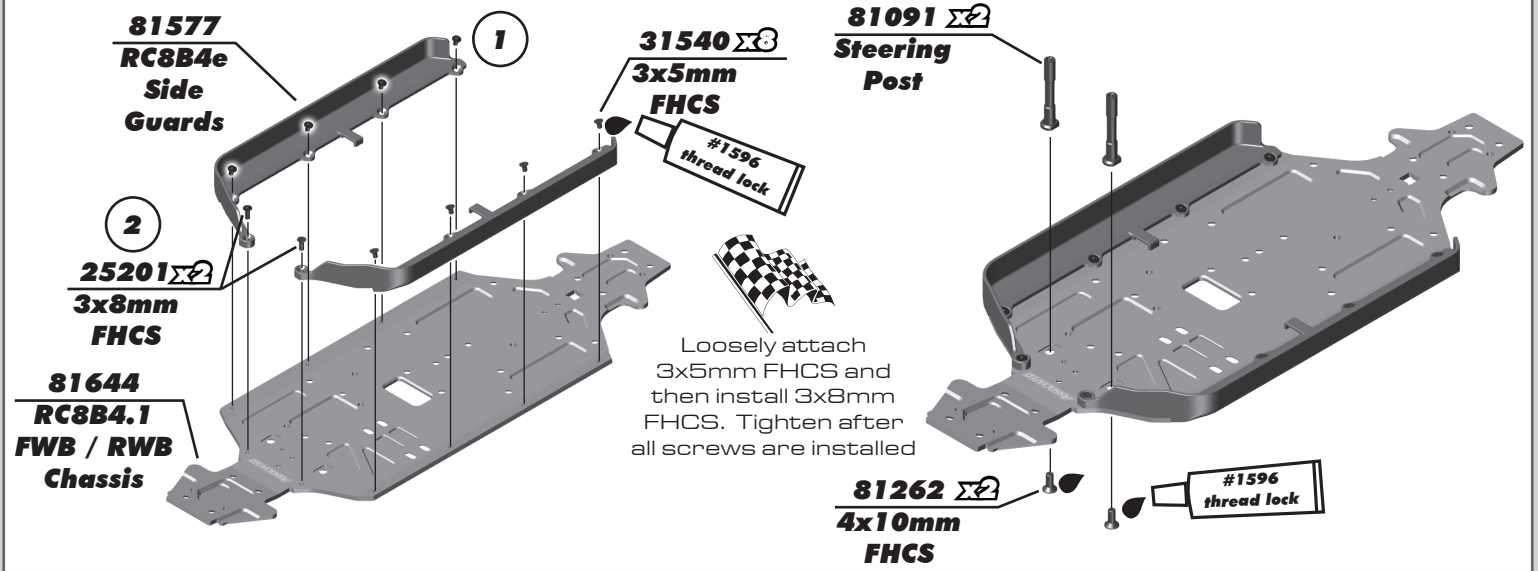


**Right Turnbuckle**

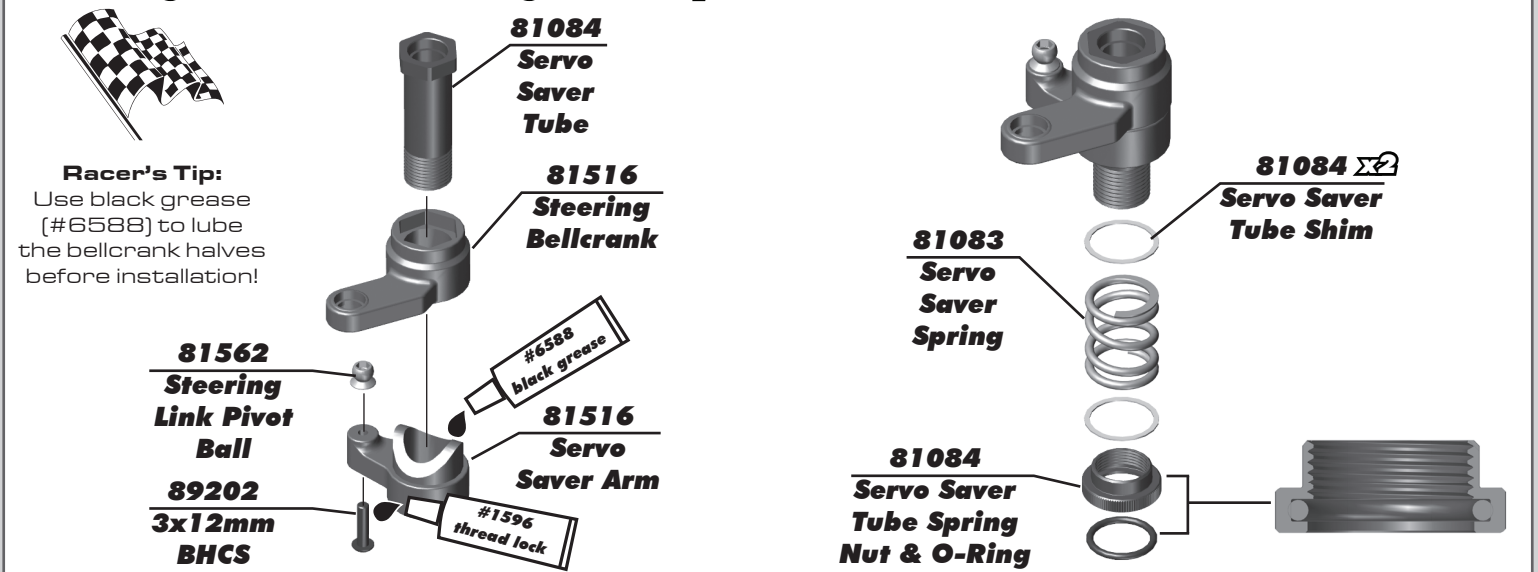


Set aside until page 19

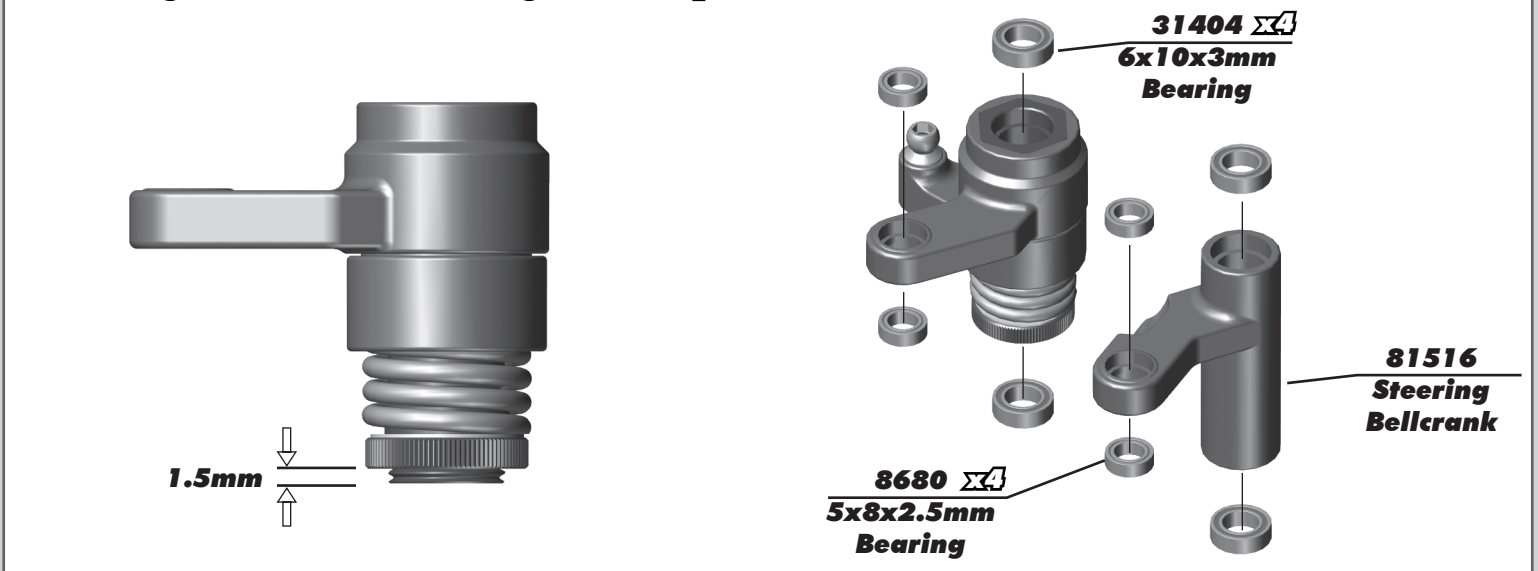
**:: Steering / Chassis Build - Bag 4.1 - Step 1**



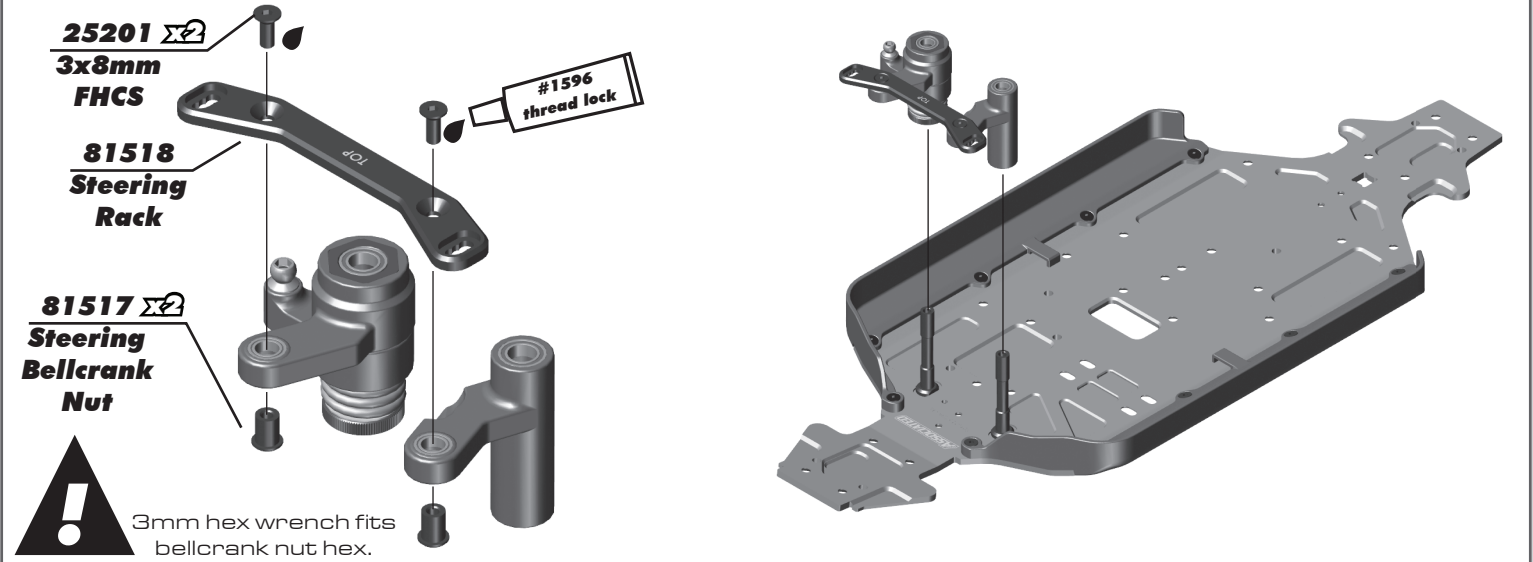
**:: Steering / Chassis Build - Bag 4.1 - Step 2**



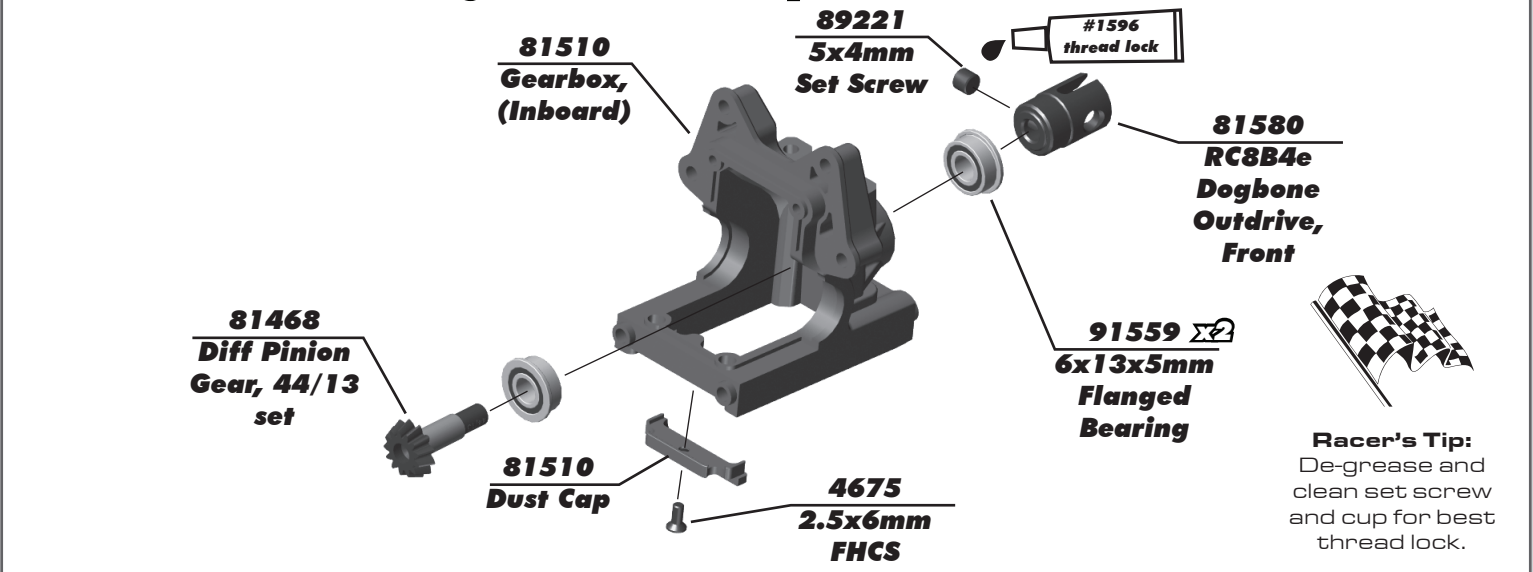
**:: Steering / Chassis Build - Bag 4.1 - Step 3**



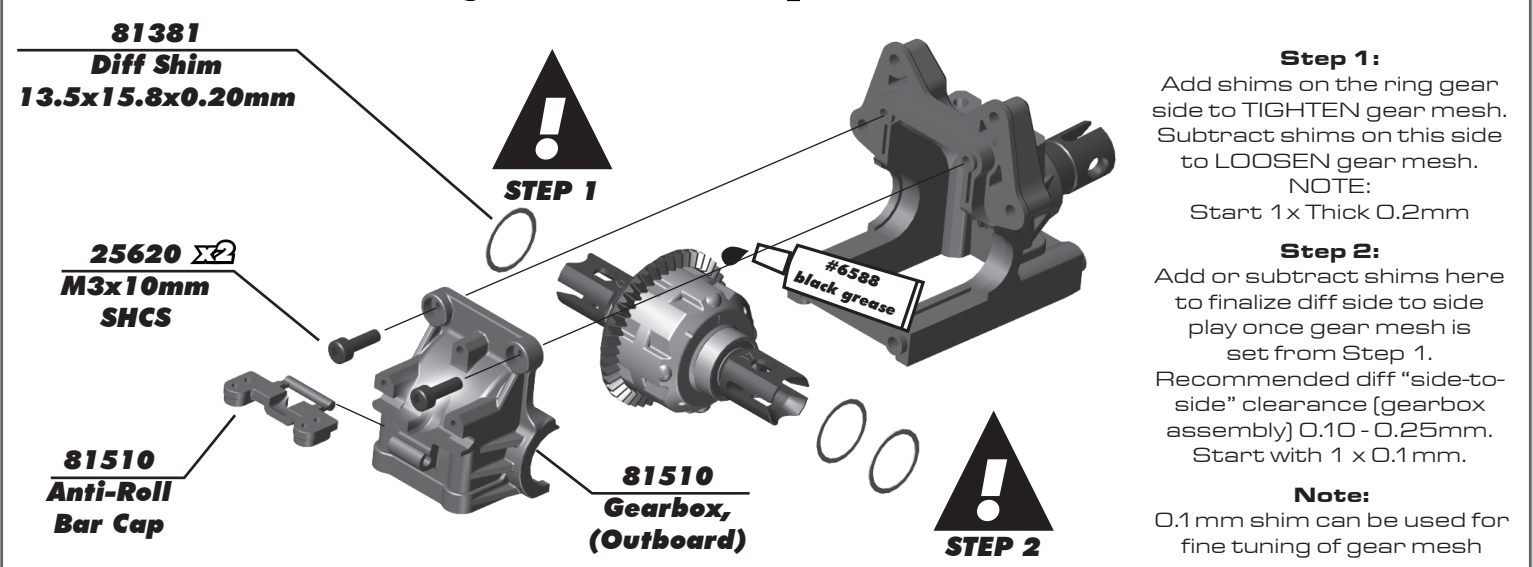
**:: Steering / Chassis Build - Bag 4.1 - Step 4**



**:: Front Gearbox Build - Bag 5.1, 5.2, 5.3 - Step 1**



**:: Front Gearbox Build - Bag 5.1, 5.2, 5.3 - Step 2**



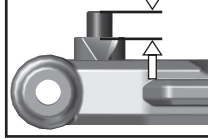
**:: Front Gearbox Build - Bag 5.1, 5.2, 5.3 - Step 3**

**Kit Setup:**



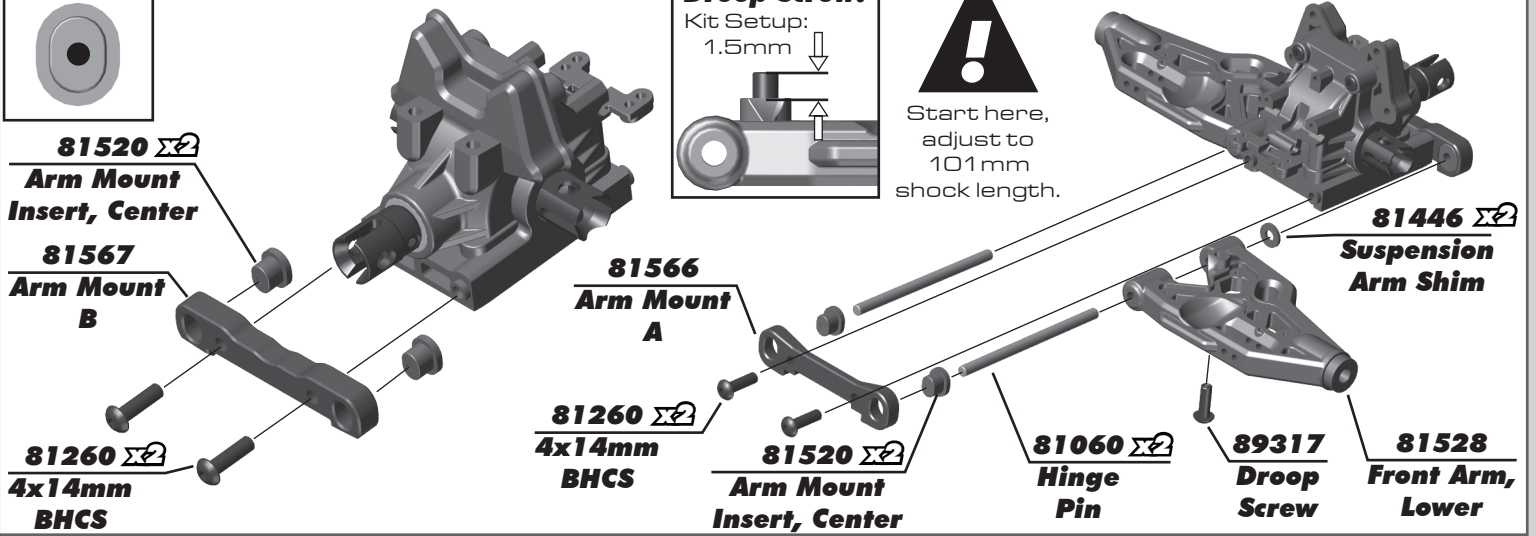
**Drop Screw:**

Kit Setup:  
1.5mm



Start here,  
adjust to  
101 mm  
shock length.

**Build left and right side!**

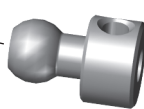


**:: Front Gearbox Build - Bag 5.1, 5.2, 5.3 - Step 4**

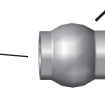
**81512**  $\times 2$   
**Anti-Roll Bar Link**



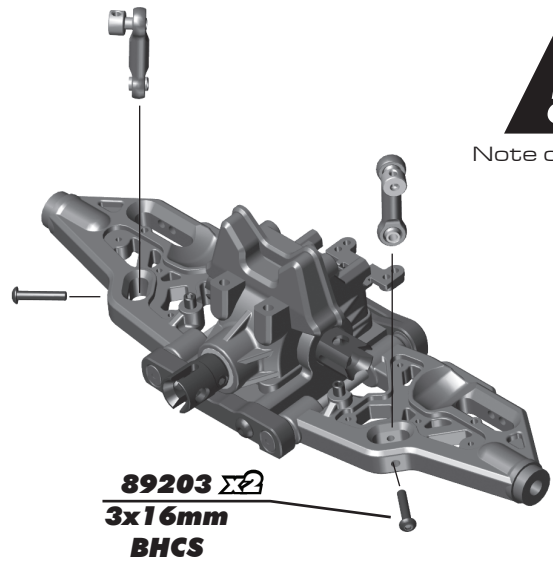
**81585**  
**Anti-Roll Bar Pivot**



**81585**  
**Rod End Ball**



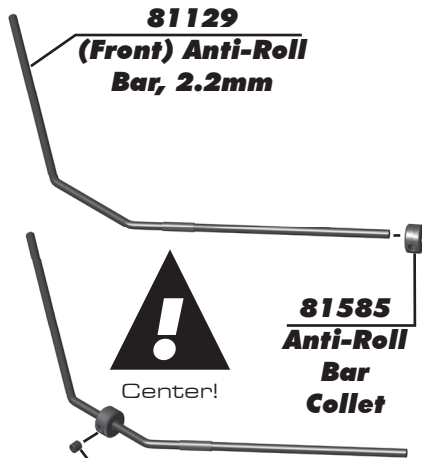
Note direction



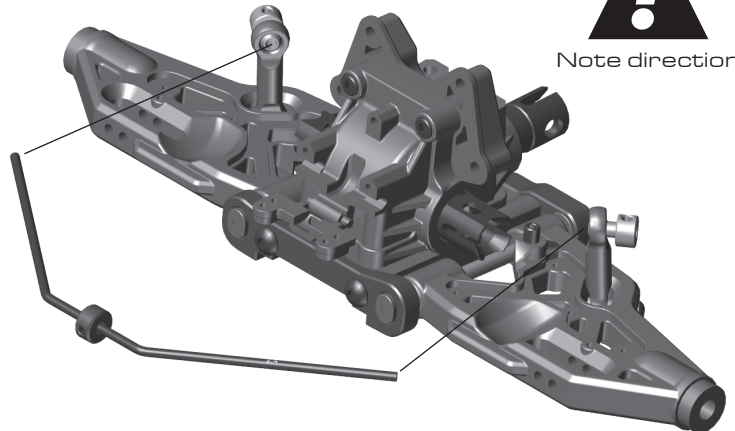
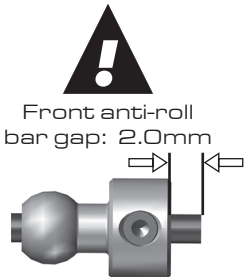
**:: Front Gearbox Build - Bag 5.1, 5.2, 5.3 - Step 5**



Center the anti-roll bar collet on the anti-roll bar; then tighten the 3x3mm set screw.



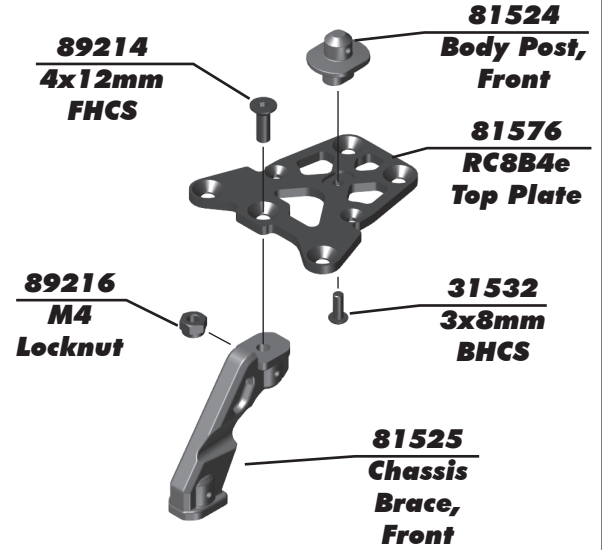
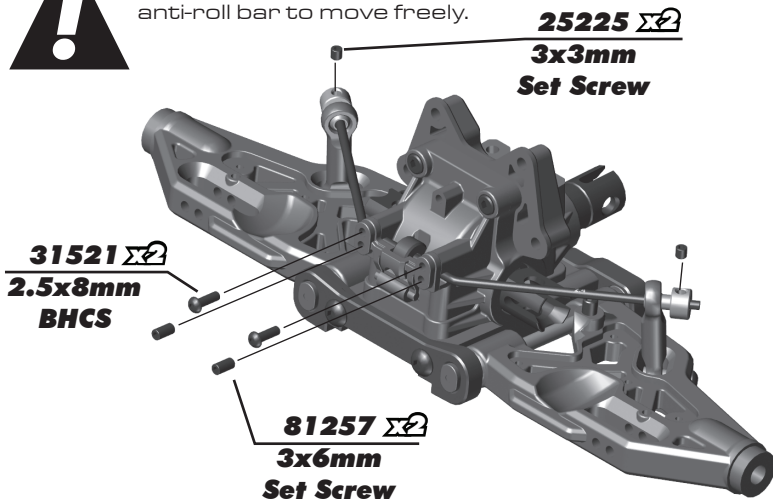
Note direction



**:: Front Gearbox Build - Bag 5.1, 5.2, 5.3 - Step 6**

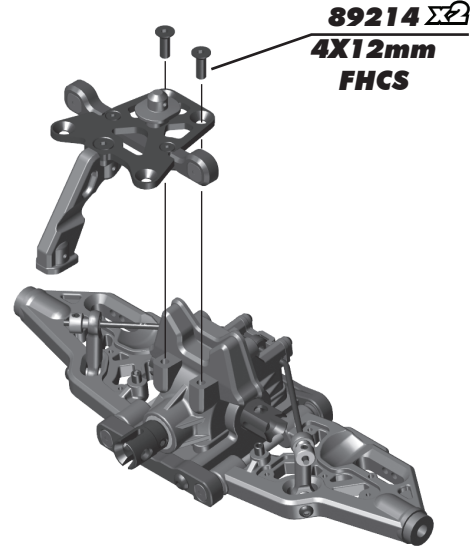
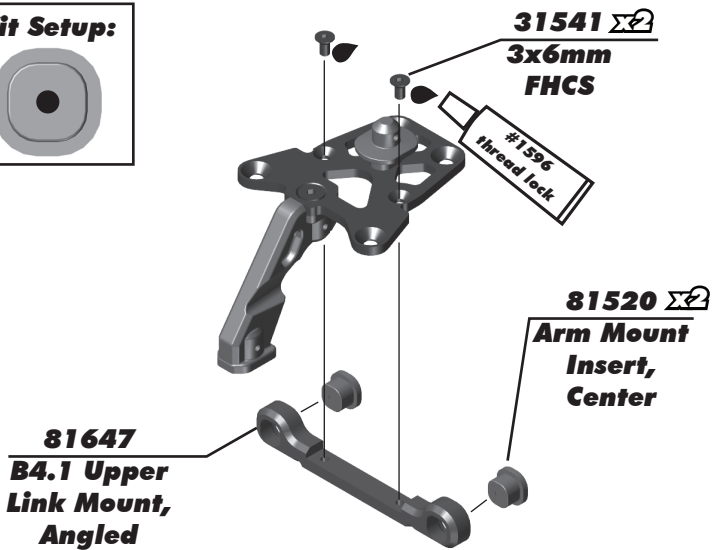


Tighten 3x6mm set screws just enough to still allow the anti-roll bar to move freely.



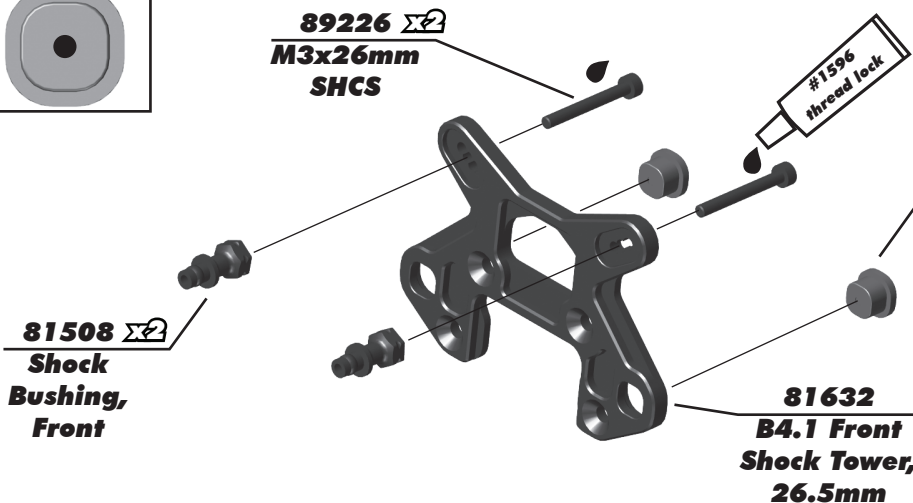
**:: Front Gearbox Build - Bag 5.1, 5.2, 5.3 - Step 7**

**Kit Setup:**



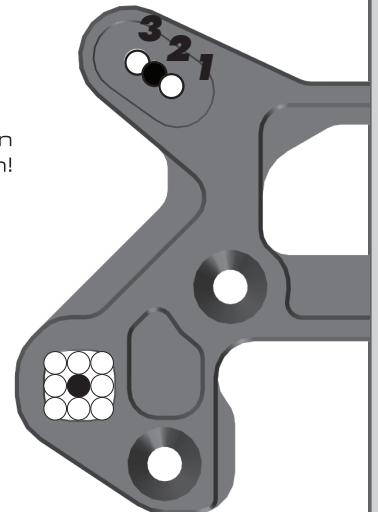
**:: Front Gearbox Build - Bag 5.1, 5.2, 5.3 - Step 8**

**Kit Setup:**



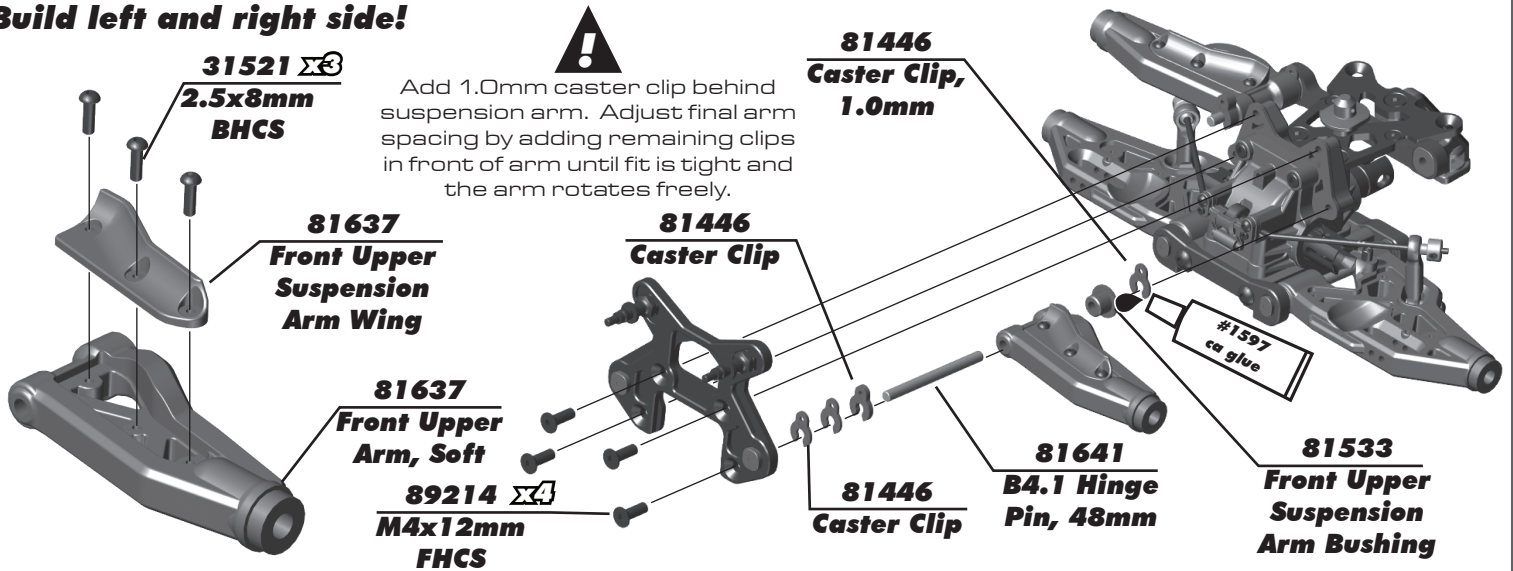
**!**  
Install arm mount inserts in direction shown!

**81520**  $\Sigma 2$   
**Arm Mount Insert, Side**



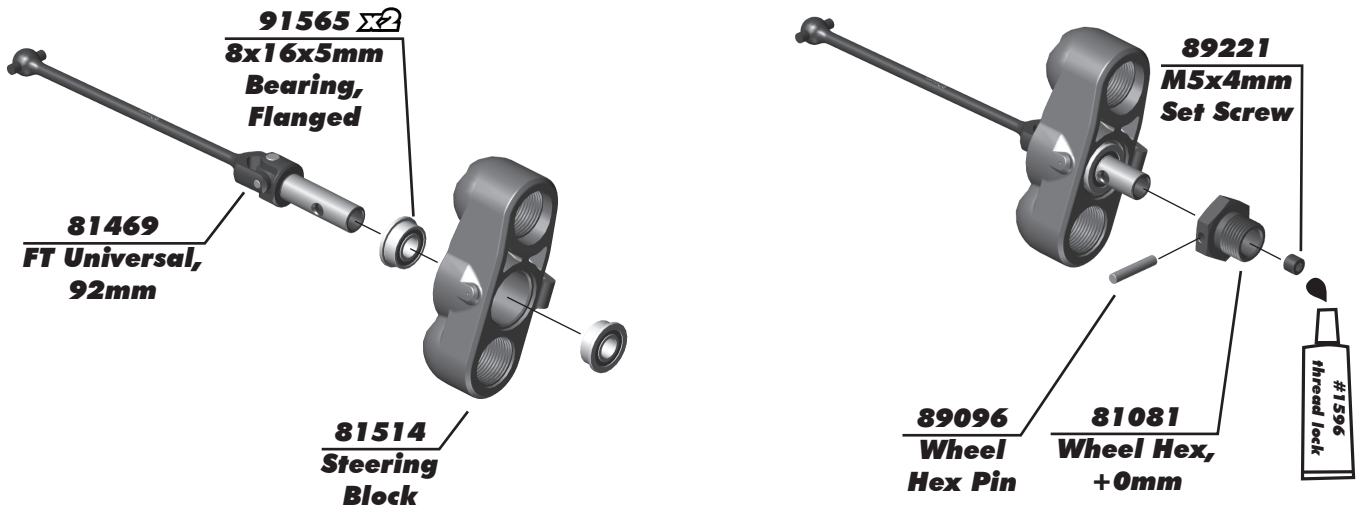
**:: Front Gearbox Build - Bag 5.1, 5.2, 5.3 - Step 9**

**Build left and right side!**



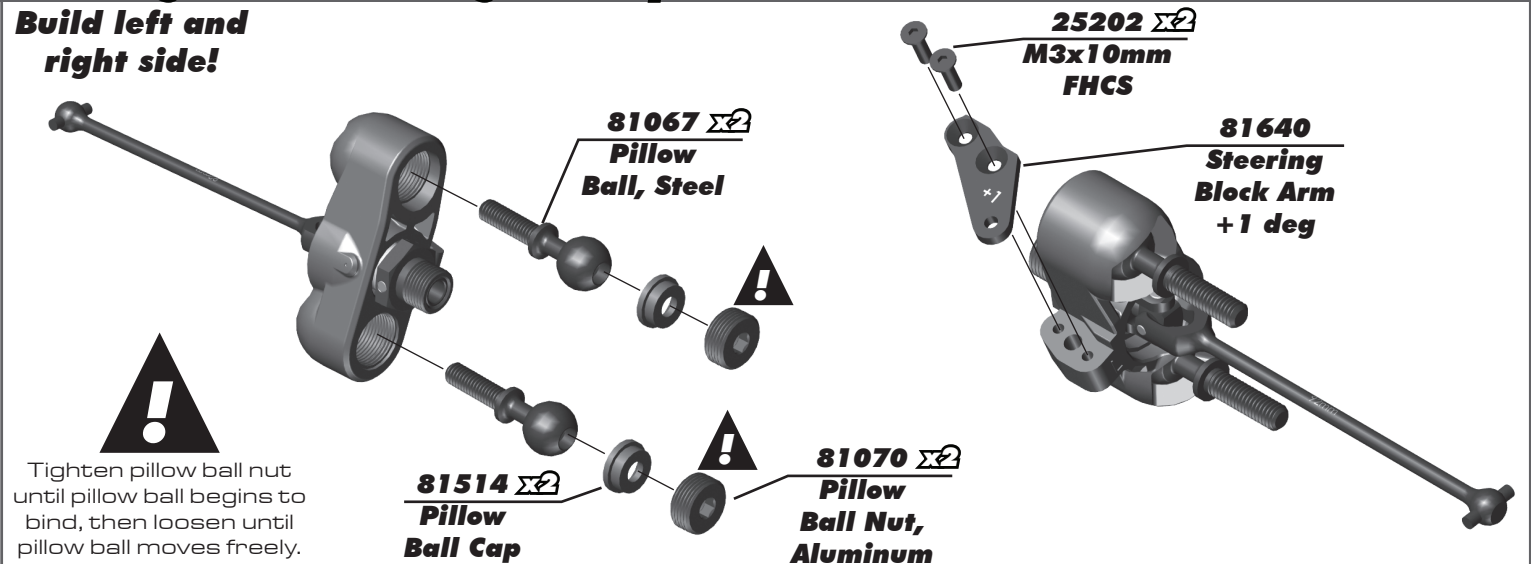
**:: Steering Blocks Build - Bag 6.1 - Step 1**

**Build left and right side!**



**:: Steering Blocks Build - Bag 6.1 - Step 2**

**Build left and right side!**



**:: Steering Blocks Build - Bag 6.1 - Step 3**

**81056**  $\Sigma 2$   
Suspension Arm Endcap

**81072**  
Pillow Ball Shim (1.4mm)

**81072**  
Pillow Ball Shim (0.7mm)

**25620**  $\Sigma 2$   
M3x10mm SHCS

**#1596**  
thread lock

**Pillow Ball Shims**

0.35mm 0.7mm 1.4mm

**:: Steering Blocks Build - Bag 6.1 - Step 4**

**81262**  $\Sigma 2$   
M4x10mm FHCS

**#1596**  
thread lock

**89216**  
M4 Locknut

**31532**  $\Sigma 2$   
M3x8mm BHCS

**81643**  
B4.1 Front Bumper

**89214**  
M4x12mm FHCS

**Kit Setup:**

1/2 1/3 TOP 1/2 1/3

**81264**  $\Sigma 2$   
M4x20mm FHCS

**89217**  $\Sigma 2$   
M4x14mm FHCS

For attaching steering link to steering rack

**:: Steering Blocks Build - Bag 6.1 - Step 5**

**Kit Setup:**  
Mount the front shock in the outside hole on the front arm.

A B

**81257**  
M3x6mm Set Screw

**25612**  
M3 Locknut W/ Flange

**81509**  
Shock Pin

**:: Rear End Build - Bag 7.1, 7.2, 7.3 - Step 1**



**Racer's Tip:**  
Use black grease (#6588) to lube the diff pinion before installation!

**81468**  
**Diff Pinion**  
**Gear, 44/13**  
**set**

**81543**  
**Gearbox,**  
**(Inboard)**

**81565**  
**Dogbone**  
**Outdrive,**  
**Rear**

**#1596**  
**thread lock**

**89221**  
**M5x4mm**  
**Set Screw**

**91559**   
**6x13x5mm**  
**Bearing**



**Racer's Tip:**  
De-grease and clean set screw and cup for best thread lock.

**81543**  
**Dust Cap**

**4675**  
**M2.5x6mm**  
**FHCS**

**:: Rear End Build - Bag 7.1, 7.2, 7.3 - Step 2**

**81381**  
**Diff Shim**  
**13.5x15.8x0.20mm**



**STEP 1**

**81543**  
**Gearbox,**  
**(Outboard)**

**25620**   
**M3x10mm**  
**SHCS**

**#6588**  
**black grease**

**81543**  
**Anti-Roll**  
**Bar Cap**



**STEP 2**

**Step 1:**

Add shims on the ring gear side to **TIGHTEN** gear mesh. Subtract shims on this side to **LOOSEN** gear mesh.

**NOTE:**

Start 1 x Thick 0.2mm

**Step 2:**

Add or subtract shims here to finalize diff side to side play once gear mesh is set from Step 1.

Recommended diff "side-to-side" clearance [gearbox assembly] 0.10 - 0.25mm. Start with 1 x 0.1 mm.

**Note:**

0.1 mm shim can be used for fine tuning of gear mesh

**:: Rear End Build - Bag 7.1, 7.2, 7.3 - Step 3**

**Kit Setup:**



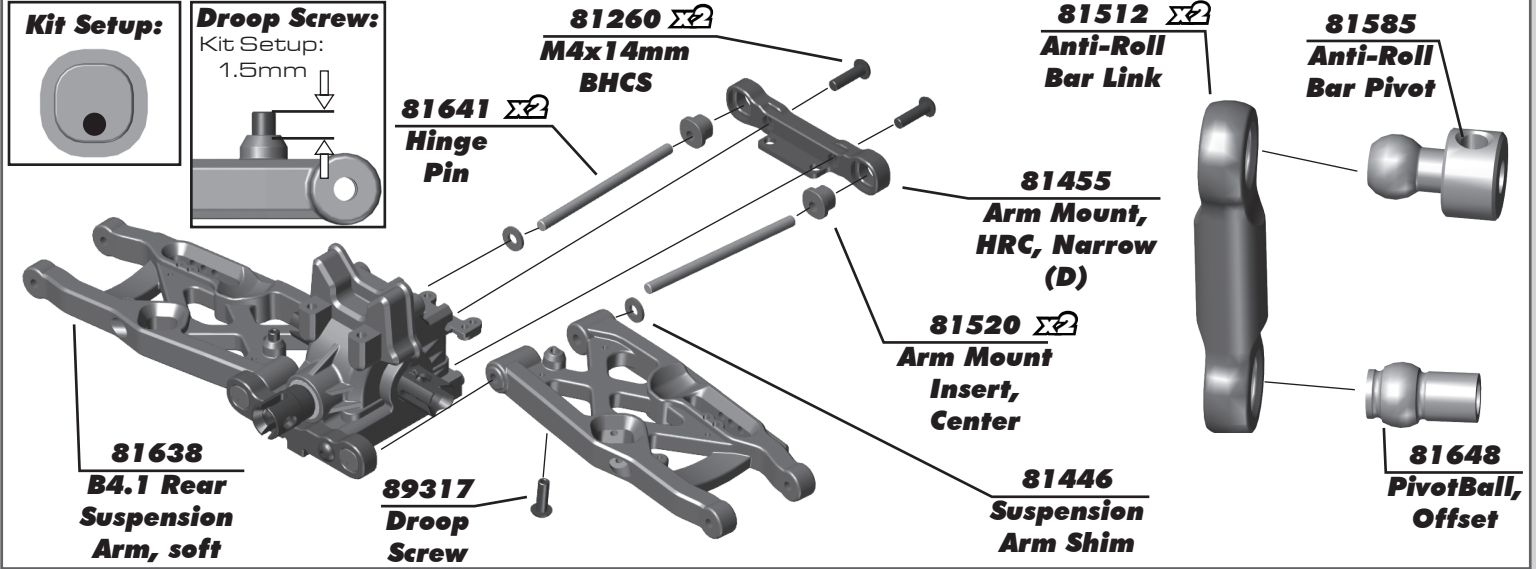
**81454**  
**Arm Mount,**  
**HRC, Narrow**  
**(C)**

**81260**   
**M4x14mm**  
**BHCS**

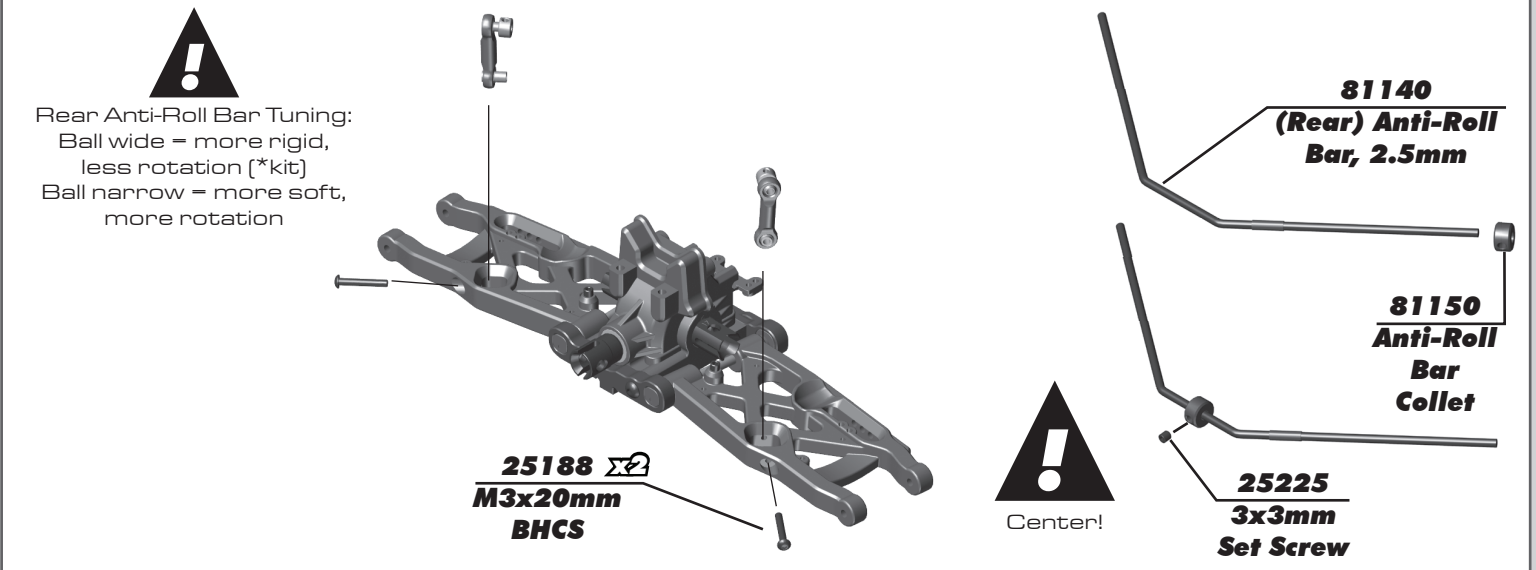
**81520**   
**Arm Mount**  
**Insert,**  
**Center**



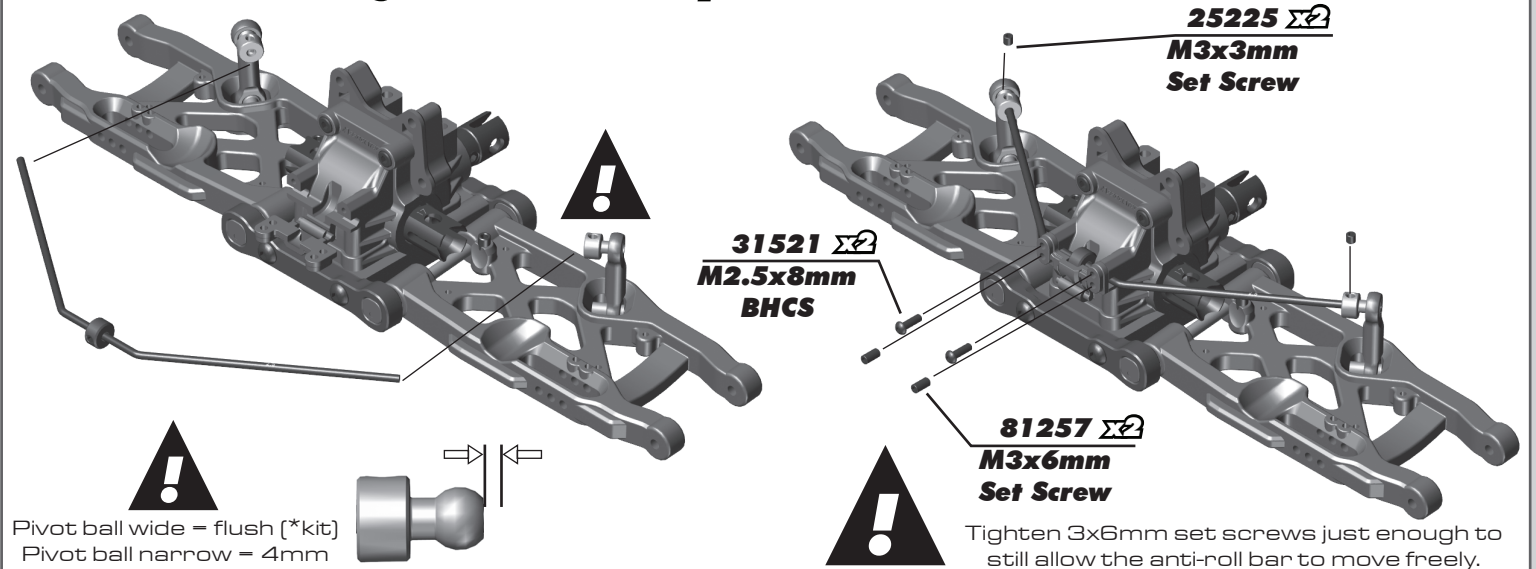
**:: Rear End Build - Bag 7.1, 7.2, 7.3 - Step 4**



**:: Rear End Build - Bag 7.1, 7.2, 7.3 - Step 5**



**:: Rear End Build - Bag 7.1, 7.2, 7.3 - Step 6**



**:: Rear End Build - Bag 7.1, 7.2, 7.3 - Step 7**



**Racer's Tip:**

Tune the rear end for more flex with #81562 ball end insert here

**31532**  $\times 2$   
**3x8mm**  
**BHCS**

**81525**  
**Chassis**  
**Brace**  
**Insert**

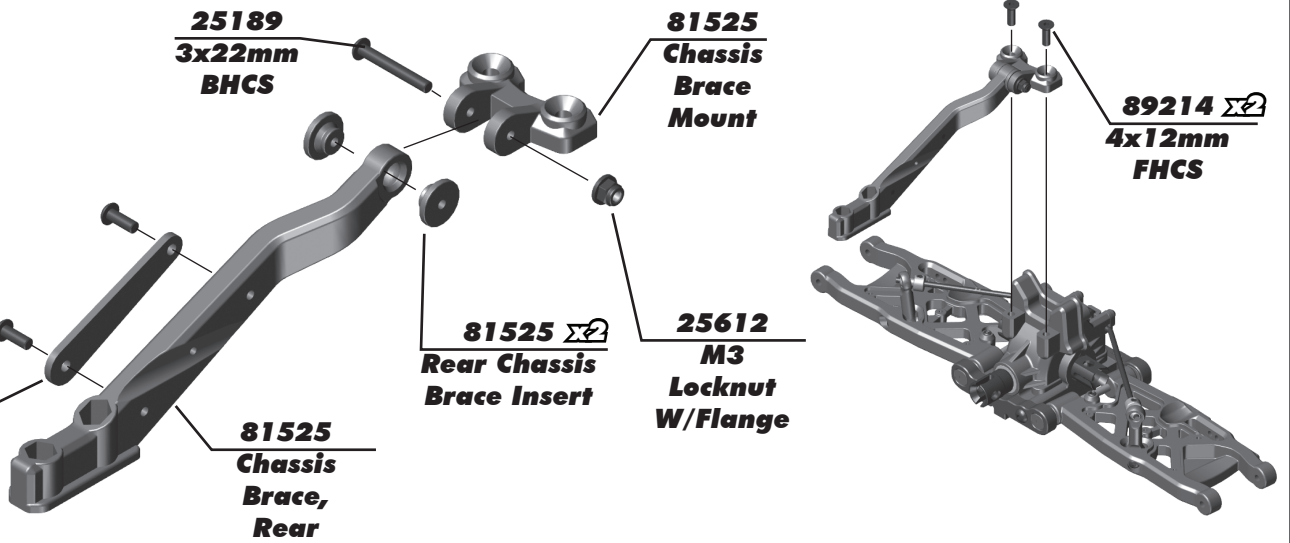
**25189**  
**3x22mm**  
**BHCS**

**81525**  
**Chassis**  
**Brace**  
**Mount**

**81525**  $\times 2$   
**Rear Chassis**  
**Brace Insert**

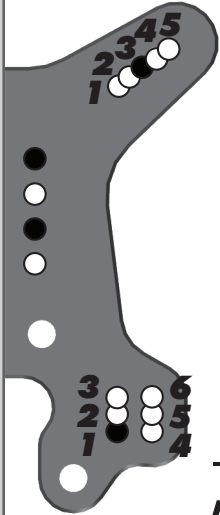
**25612**  
**M3**  
**Locknut**  
**W/Flange**

**89214**  $\times 2$   
**4x12mm**  
**FHCS**



**:: Rear End Build - Bag 7.1, 7.2, 7.3 - Step 8**

**Kit Setup:**



**81508**  $\times 2$   
**Shock**  
**Bushing**

**89208**  
**M3x14mm**  
**FHCS**

**CHOOSE ONE**  
Fin adds straight-line stabilization.  
Button adds agility in corners.

**89208**  $\times 2$   
**3x14mm**  
**FHCS**

**81524**  
**Body Post,**  
**Rear**

**81553**  $\times 2$   
**Wing**  
**Buttons**

**81558**  
**Body Post**  
**Grommet**

**81553**  
**Wing,**  
**Black**

**81524**  
**Body Post**  
**Mount, Rear**

**41090**  
**M3x10mm**  
**LP SHCS**

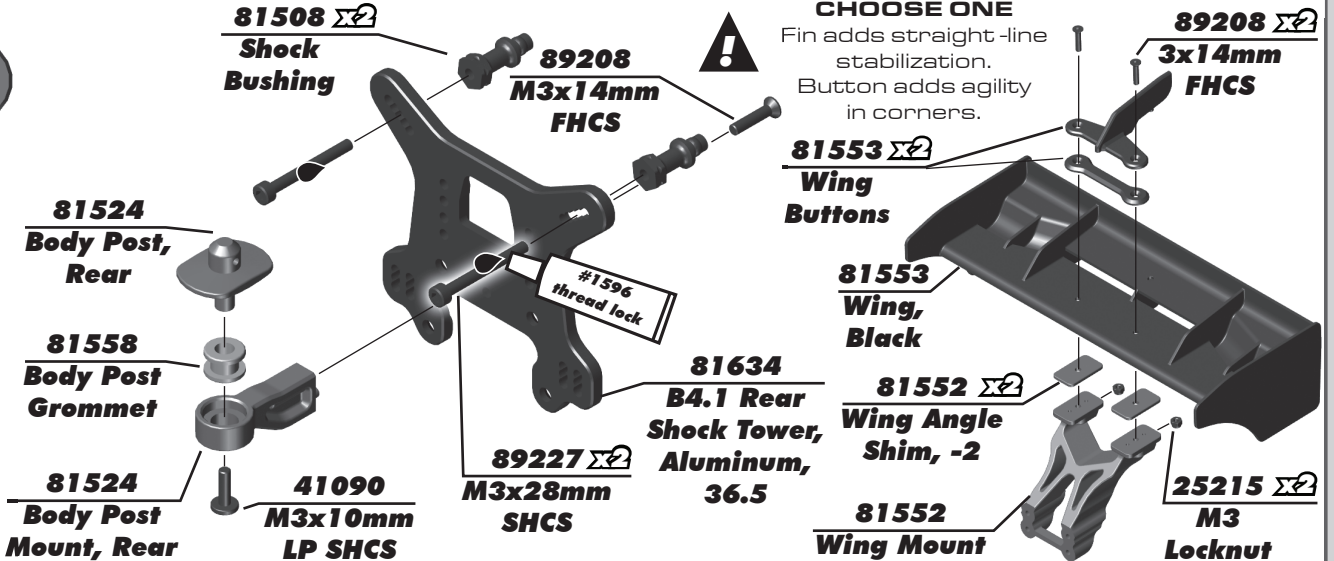
**89227**  $\times 2$   
**M3x28mm**  
**SHCS**

**81634**  
**B4.1 Rear**  
**Shock Tower,**  
**Aluminum,**  
**36.5**

**81552**  $\times 2$   
**Wing Angle**  
**Shim, -2**

**81552**  
**Wing Mount**

**25215**  $\times 2$   
**M3**  
**Locknut**



**:: Rear End Build - Bag 7.1, 7.2, 7.3 - Step 9**



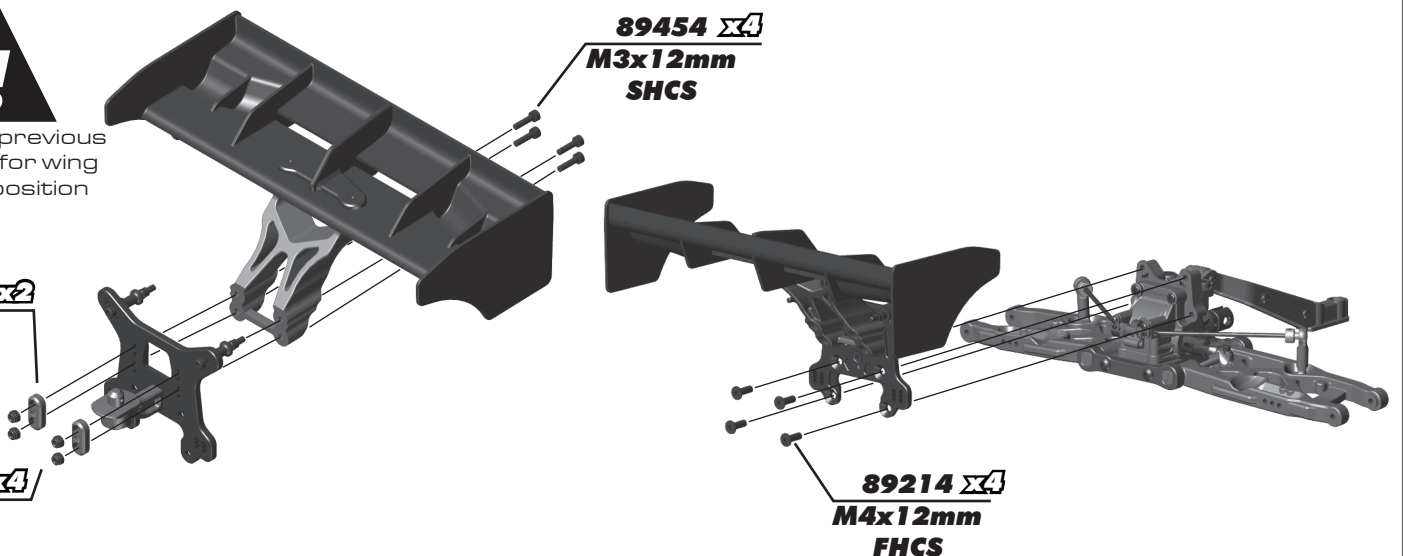
Refer to previous step (8) for wing height position

**89454**  $\times 4$   
**M3x12mm**  
**SHCS**

**81552**  $\times 2$   
**Wing**  
**Mount**  
**Adapter**

**25215**  $\times 4$   
**M3**  
**Locknut**

**89214**  $\times 4$   
**M4x12mm**  
**FHCS**



**:: Rear Hubs Build - Bag 8.1, 8.2 - Step 1**

**Build two!**

**81649**  $\Sigma 2$   
**B4.1 Rear Hub Plates (standard)**

**25188**  $\Sigma 2$   
**M3x20mm BHCS**

**81642**  
**B4.1 Rear Hubs**

**25215**  $\Sigma 2$   
**M3 Locknut**

**91564**  $\Sigma 2$   
**8x16x5mm Bearing**



Tighten set screw before camber link installation.

**81257**  $\Sigma 2$   
**3x6mm Set Screw**



**Racer's Tip:**

Use a 2mm drill to punch thru the thin wall between set screws and the hinge pin. Tighten after installation to remove slop.

**81081**  
**Wheel Hex, +0mm Wide**

**89221**  
**5x4mm Set Screw**

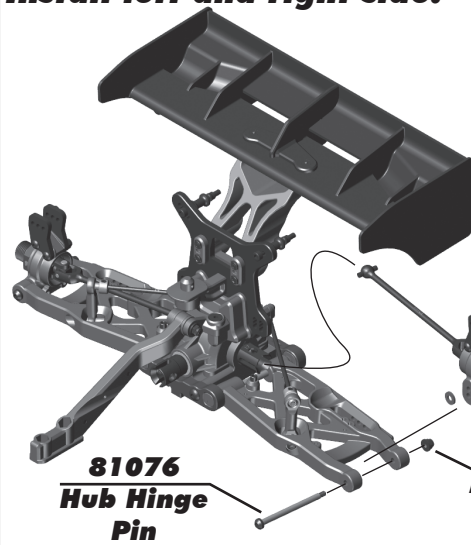
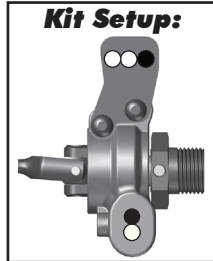
**89096**  
**Wheel Hex Pin**

**#1596**  
**thread lock**

**:: Rear Hubs Build - Bag 8.1, 8.2 - Step 2**

**Install left and right side!**

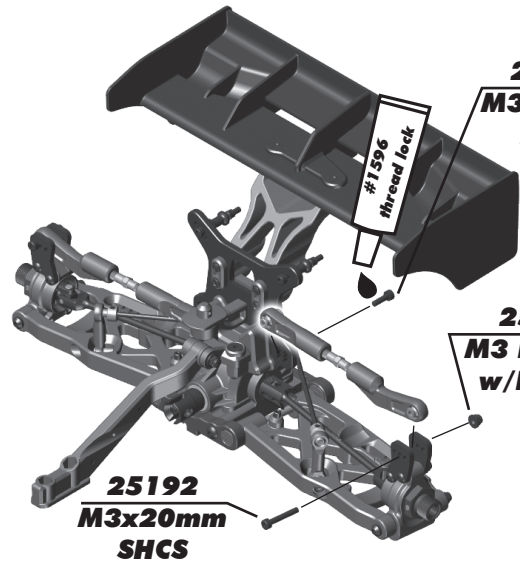
**Kit Setup:**



**81076**  
**Hub Hinge Pin**

**81642**  $\Sigma 2$   
**B4.1 Rear Hub Shim, 1mm**

**25612**  
**M3 Locknut w/ Flange**



**25211**  
**M3x10mm BHCS**

**#1596**  
**thread lock**

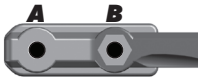
**25612**  
**M3 Locknut w/ Flange**

**25192**  
**M3x20mm SHCS**

**:: Rear Hubs Build - Bag 8.1, 8.2 - Step 3**

**Tuning Tip:**

Remove screw A for "soft/short" flex configuration.



**89216**  $\Sigma 2$   
**M4 Locknut**

**Kit Setup:**

Mount the rear shock in the outside hole on the rear arm.



**81264**  $\Sigma 2$   
**M4x20mm FHCS**

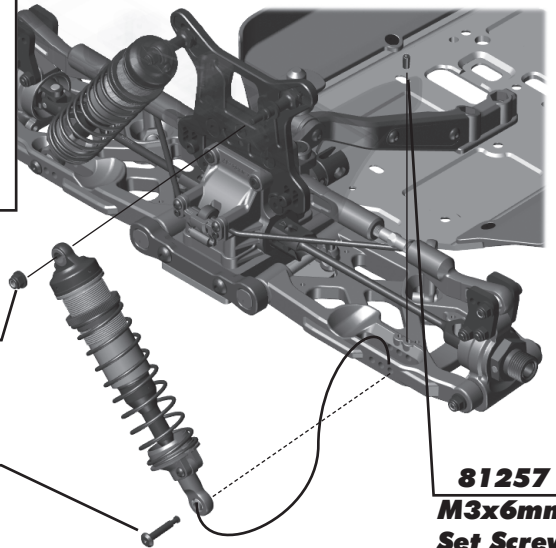
**89217**  $\Sigma 2$   
**M4x14mm FHCS**

**89214**  $\Sigma 2$   
**M4x12mm FHCS**

**25612**  
**M3 Locknut W/ Flange**

**81509**  
**Shock Pin**

**81257**  
**M3x6mm Set Screw**



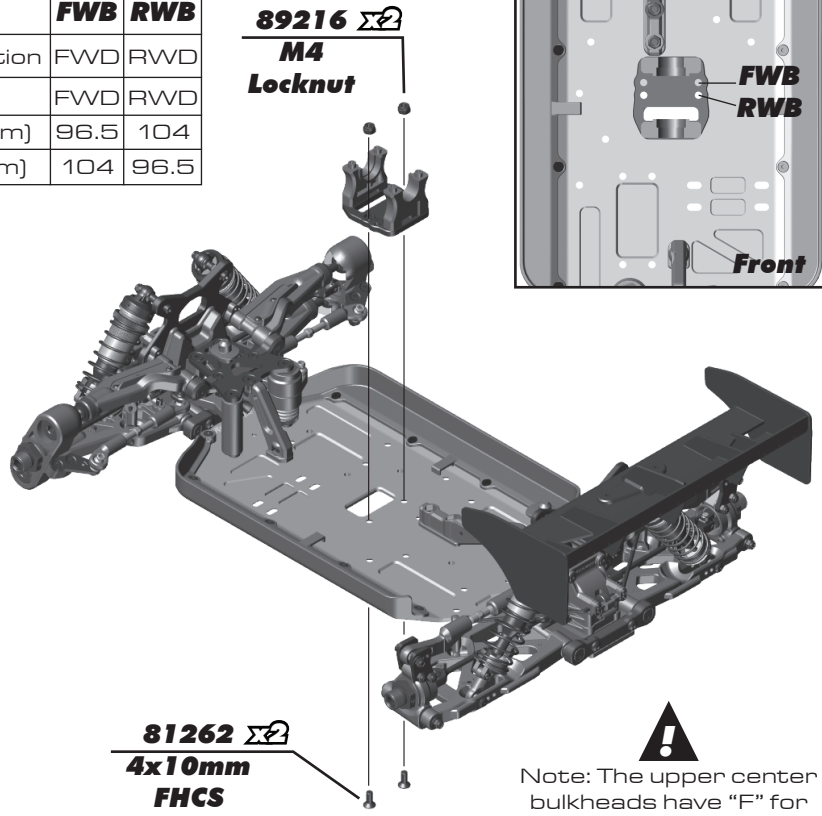
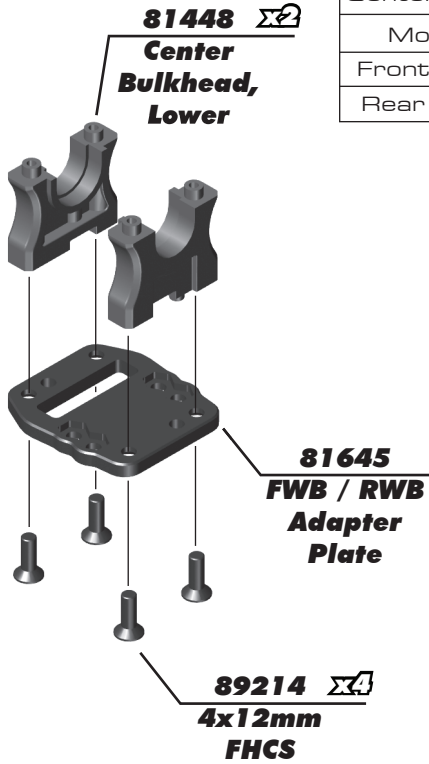
**:: Center Bulkhead - Bag 9.1 - Step 1**



Note: Do not use brake rotor guides on center bulkheads

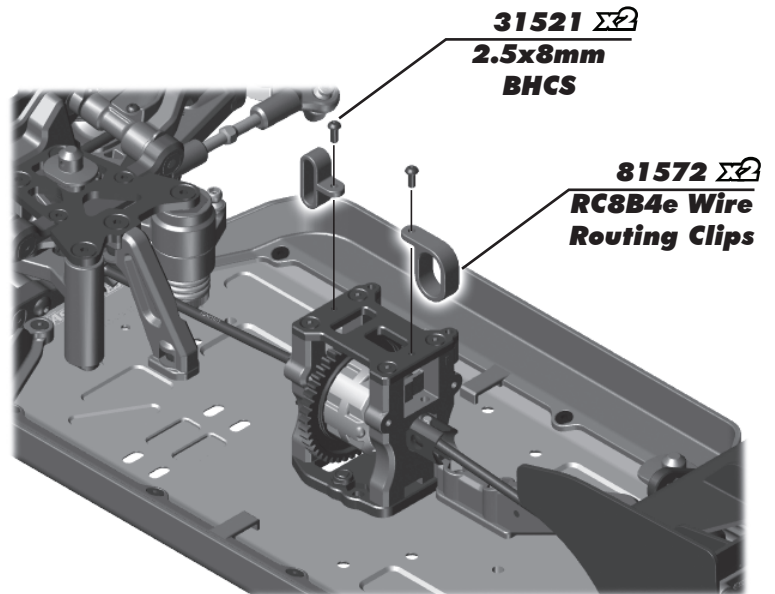
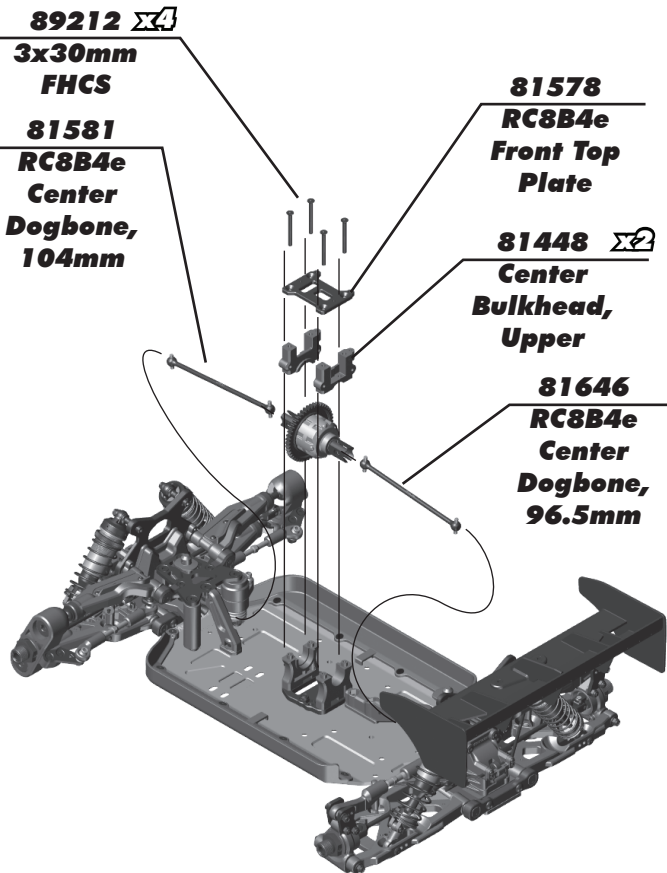
**Motor Direction on ESC to Reverse**

Weight Bias Setting	<b>FWB</b>	<b>RWB</b>
Center Diff Adapter Position	FWD	RWD
Motor Clamp Position	FWD	RWD
Front Dogbone Shaft (mm)	96.5	104
Rear Dogbone Shaft (mm)	104	96.5



**!** Note: The upper center bulkheads have "F" for front and "R" for rear.

**:: Center Bulkhead - Bag 9.1 - Step 2**



**:: Center Bulkhead - Bag 9.1 - Step 3**

**81582 RC8B4e Motor Mount, Lower**

Optional! 30mm fan (not included)

**89454 3x12mm SHCS**

**#1596 thread lock**

**81582 RC8B4e Motor Mount, Upper**

**81114 Engine Mount Washer**

**#1596 thread lock**

**81262 4x10mm FHCS**

**!** Fan, motor, and pinion not included. If installing a fan, attach before installing motor mounts. Hardware not included. Maximum screw depth 4mm.

**:: Radio Tray Build - Bag 10.1, 11.1 - Step 1**

**!** Install servo splines toward front of buggy! (not included)

**41094 3x14mm LP SHCS**

**31518 2.5x4mm FHCS**

(not included)

**2**

**81572 RC8B4e Receiver Box, Lower**

**1**

**81572 RC8B4e Receiver Box Wire Clip**

**!** Install servo mount wire clip 1st, then the receiver box to the chassis

**81572 RC8B4e Servo Mount Wire Clip**

**1**

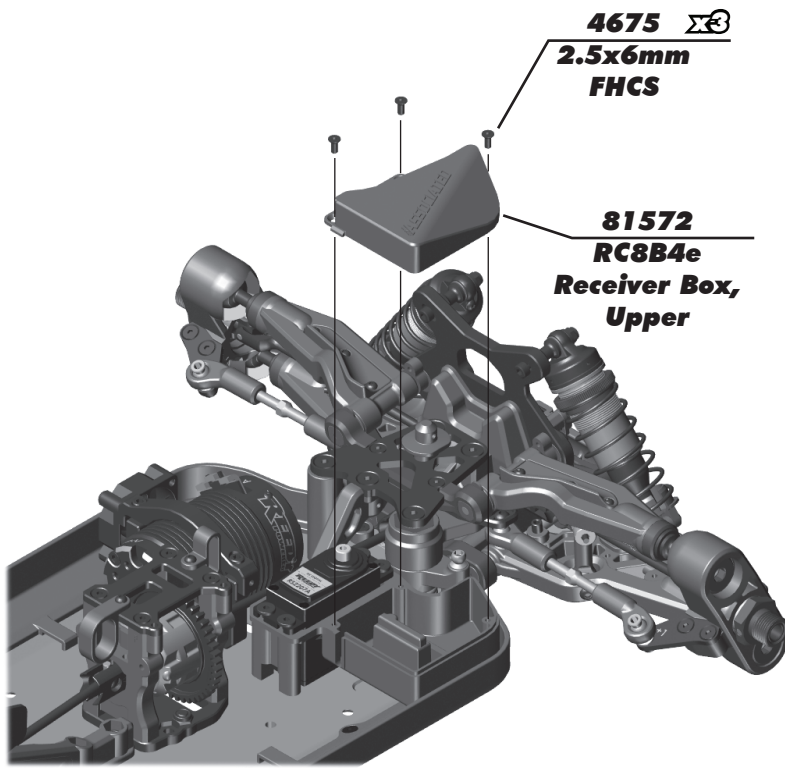
**4675 2.5x6mm FHCS**

**2**

**89214 4x12mm FHCS**

**!** Wire clip fits under this foot!

**:: Radio Tray Build - Bag 11.1 - Step 2**



**Spline Count**



Printed here  
**23T**  
**25T**

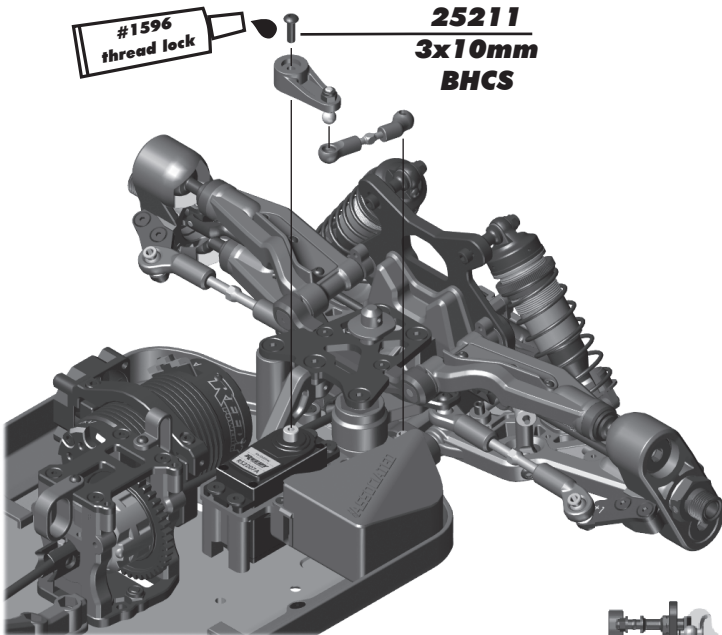
**81556**  
**Servo Horn**  
**(Steering)**

**25215**  
**M3**  
**Locknut**

**81556**  
**Servo Horn**  
**Insert**

**91048**  
**HD Ball**  
**Stud, 8mm**

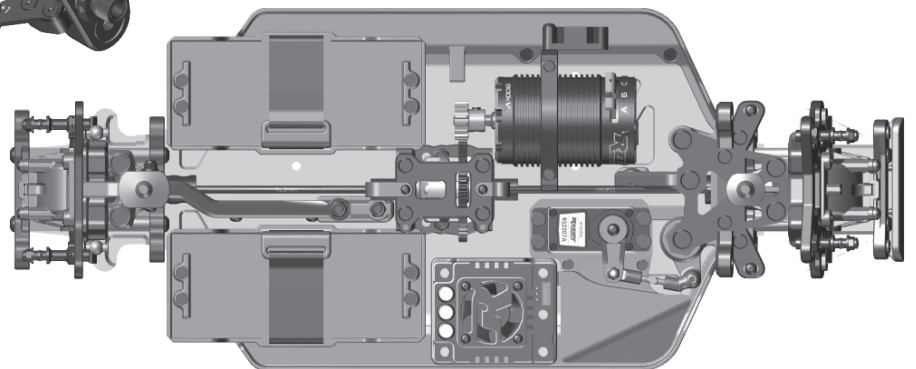
**:: Radio Tray Build - Bag 11.1 - Step 3**



To build RC8B4.1 e for use with two 2s shorty battery packs in a "saddle" configuration, follow the steps below.

To build RC8B4.1 e for use with onme 4s shorty battery pack, continue to "Battery Tray Build - Bag 12.1 - Step 2"

**2s Shorty Pack Configuration**



**:: Battery Tray Build - Bag 12.1 - Step 1**



!!!ALERT!!!

ESC Setup needs motor rotation = REV  
Reverse Motor Rotation only

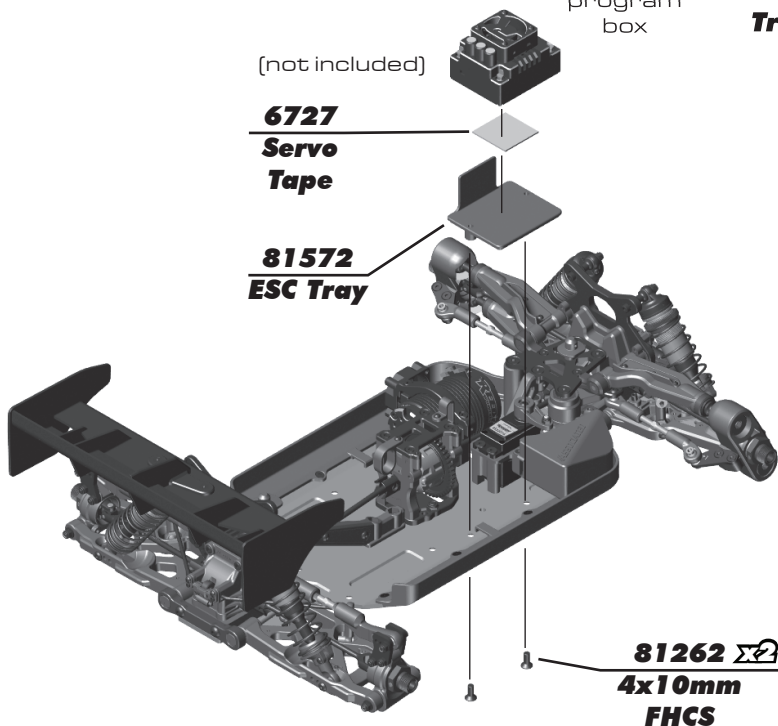


Reverse  
ESC in  
program  
box

(not included)

**6727**  
**Servo**  
**Tape**

**81572**  
**ESC Tray**



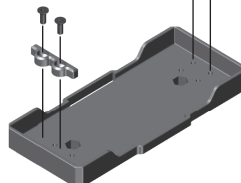
**81262**  $\Sigma 2$   
**4x10mm**  
**FHCS**



**81584**  
**Hook and**  
**Loop Strap**

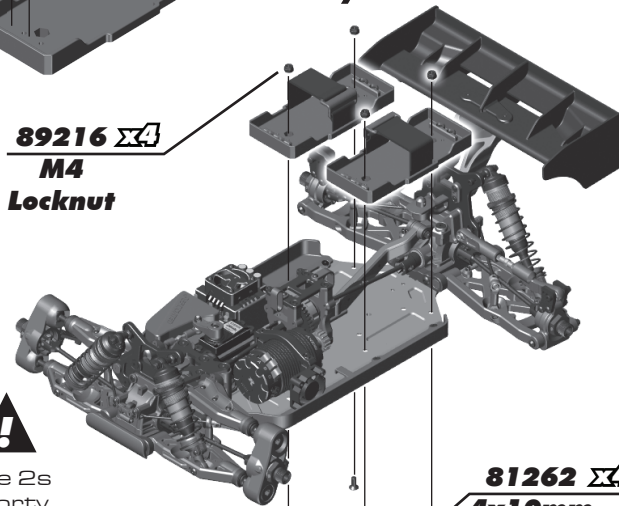
**81574**  $\Sigma 2$   
**Battery**  
**Tray Spacer**

**25201**  $\Sigma 4$   
**3x8mm**  
**FHCS**



**81574**  
**Battery**  
**Tray**

**89216**  $\Sigma 4$   
**M4**  
**Locknut**



**!**  
Use 2s  
shorty  
battery  
only

**81262**  $\Sigma 4$   
**4x10mm**  
**FHCS**

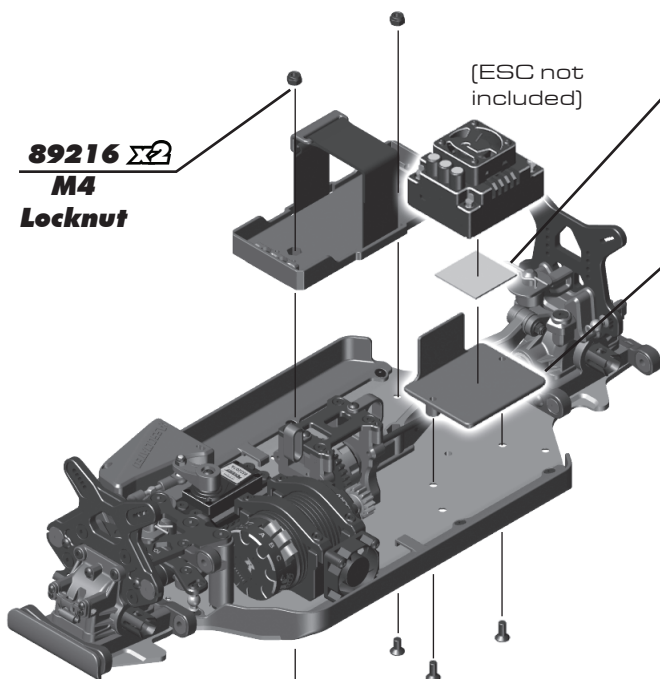
**:: Battery Tray Build - Bag 12.1 - Step 2**

(ESC not  
included)

**6727**  
**Servo**  
**Tape**

**89216**  $\Sigma 2$   
**M4**  
**Locknut**

**81572**  
**ESC Tray**

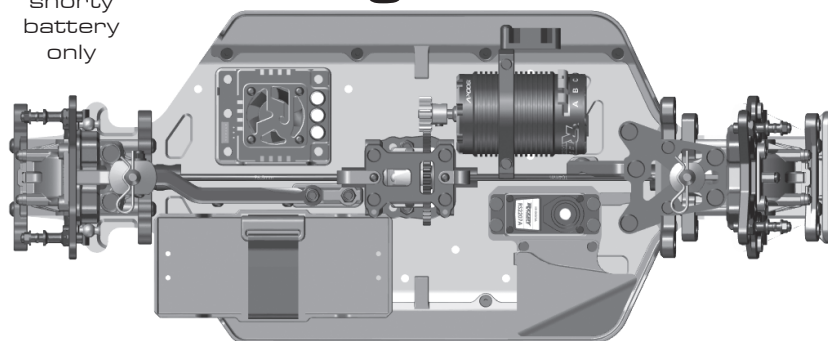


**81262**  $\Sigma 4$   
**4x10mm**  
**FHCS**



Use 4s  
shorty  
battery  
only

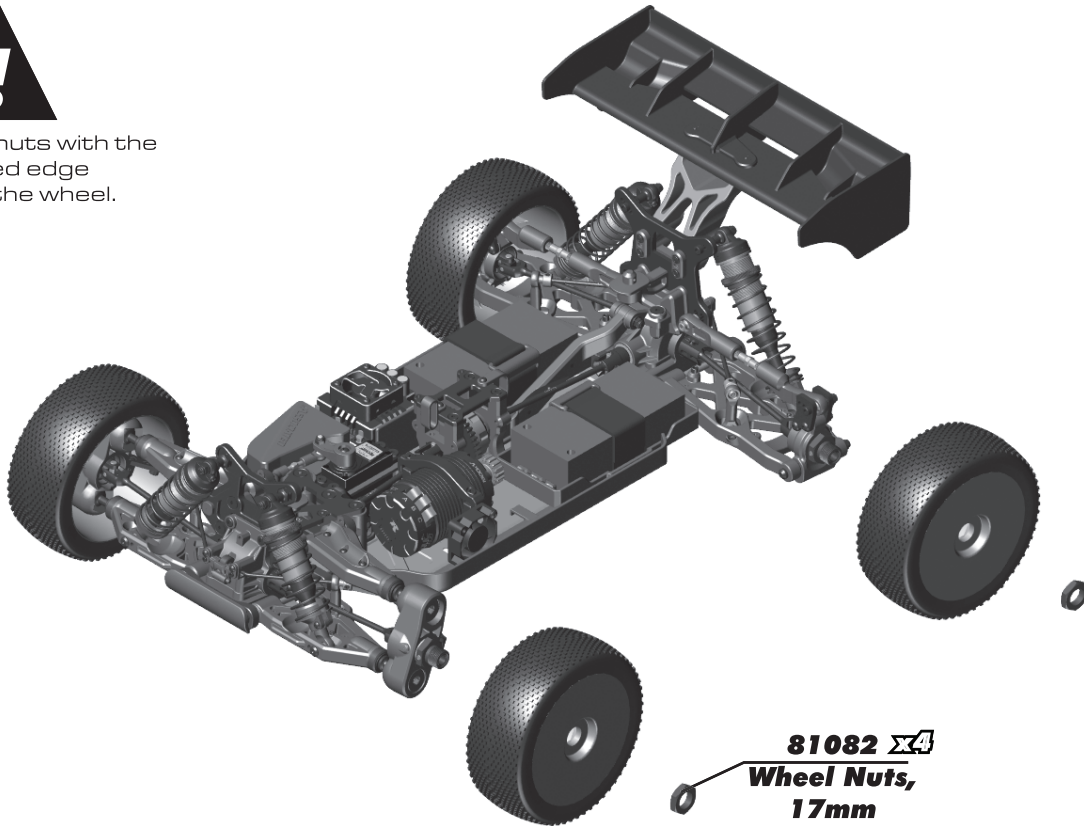
**4s Shorty Pack**  
**Configuration**



## :: Wheels / Tires / Body - Misc. - Step 2



Install wheel nuts with the serrated edge towards the wheel.



**81082 x4**  
**Wheel Nuts,**  
**17mm**  
**(Blue)**

## :: Wheels / Tires / Body - Misc. - Step 3



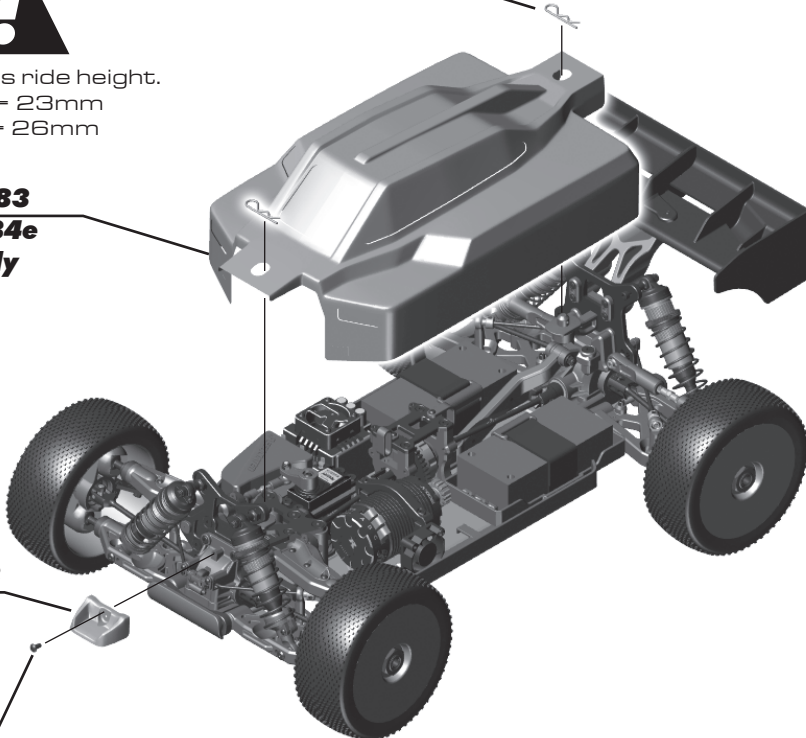
Final chassis ride height.  
Front = 23mm  
Rear = 26mm

**2208 x2**  
**Body Clip**

**81583**  
**RC8B4e**  
**Body**

**81583**  
**Nose**  
**Cone**

**31531**  
**3x6mm**  
**BHCS**



### Painting Tips:

Your kit comes with a clear polycarbonate body. You will need to prep the body before you can paint it. Wash the inside thoroughly with warm water and liquid detergent. Dry the body using a clean, soft, lint-free cloth. Install the window masks on the inside of the body. (R/C cars get painted from the inside). Using high quality masking tape, apply tape to the inside of the body to create a design. Spray (either rattle can or airbrush R/C specific paint) the paint to the inside of the body (preferably dark colors first, lighter colors last).

NOTE: use ONLY paint that is recommended for use with (polycarbonate) plastics. If you do not, you can destroy the polycarbonate body!!!

After painting, cut the body along the trim lines. Make sure to drill or use a body reamer to make the holes for the body mounts and antenna!



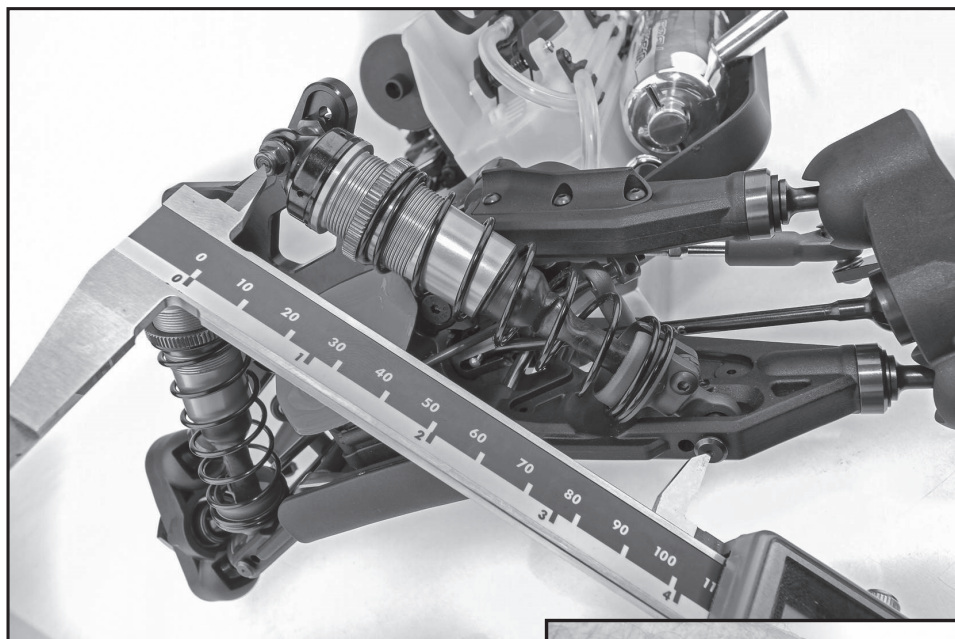
## :: Droop Settings

Set droop by measuring overall length of shock (from standoff to shock pin) while the chassis is elevated above your working surface. The shocks should be fully extended.

Kit setup for front droop is 101mm shock length, and 126mm shock length for the rear using "C" hole.

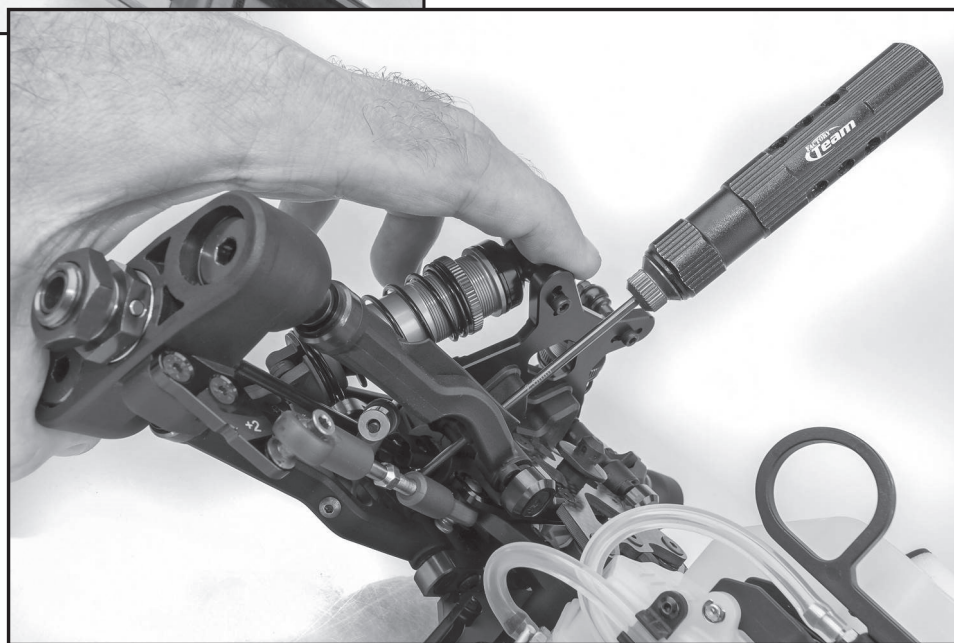
If the shock length is too long, adjust by turning the droop screws clockwise.

If the shock length is too short, adjust by turning the droop screws counter-clockwise.



### Racer's Tip:

Use 123mm for the middle "B" rear arm hole, and +2 or 0 eyelet.



**Front Droop:** Increasing front droop (loosen droop screws) will increase off-throttle steering. It also allows the front end to lift more, giving more rear grip and less front grip on-power. Remember to never loosen the screws beyond the FULL DROOP setting. Decreasing front droop (tighten droop screws) yields more on-power steering and quicker response at the expense of some stability in bumpy sections. It will also give less off-throttle steering.

**Rear Droop:** Increasing rear droop (loosen droop screws) will increase traction in bumpy sections, but will reduce high-speed stability. Remember to never loosen the screws beyond the FULL DROOP setting. Decreasing rear droop (tighten droop screws) will increase stability in high speed sections, but will reduce stability in bumpy sections.

### Setup Sheets:

To find different setups for your kit, visit our website, <https://www.associatedelectrics.com/teamassociated/> and click on the "Setup Sheets" link, and then the link to your model. Our team of professional drivers help develop these setups at races worldwide. Additionally, most drivers have a "base" setup that they use as a starting point for most races. Try running some of our base setups or look for track conditions and tires that are similar to your local track and replicate that setup. Remember, each adjustment has a purpose, so copy everything from the setup sheet and then make adjustments based on the recommendations in here.

# FIND IT ON ASSOCIATEDELECTRICS.COM

## CARS & TRUCKS



### Vehicle Spare Parts

GO TO:

[AssociatedElectrics.com](#) →  
[Team Associated tab](#) →  
[Cars & Trucks](#) →  
[Scroll to your vehicle](#) →  
[Parts & Accessories link](#)

## SETUP SHEETS & MANUALS



### Setups and Manuals

GO TO:

[AssociatedElectrics.com](#) →  
[Team Associated tab](#) →  
[Manuals & Setups](#) →  
[Scroll to your vehicle](#)

## A-TEAM APPS



### Tuning Guides & Tips

GO TO:

[AssociatedElectrics.com](#) →  
[Support](#) →  
[A-Team Apps](#)



***Associated Electrics, Inc.***

**21062 Bake Parkway Lake Forest, CA 92630 USA**

**call: (949) 544-7500 - fax: (949) 544-7501**

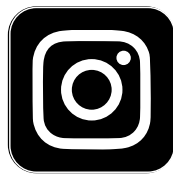
**Check out the following web sites for all of our kits, current products,  
new releases, setup help, tips, and racing info!**

**[www.AssociatedElectrics.com](http://www.AssociatedElectrics.com)**

## FOLLOW US ON SOCIAL MEDIA



**TeamAssociated**  
**ReedyPower**  
**ElementRC**  
**Factory Team**



**@TeamAssociatedRC**  
**@ReedyPower**  
**@Element\_RC**  
**@FactoryTeam\_RC**



**@Team\_Associated**  
**@ReedyPower**



**@Associated\_Electrics**