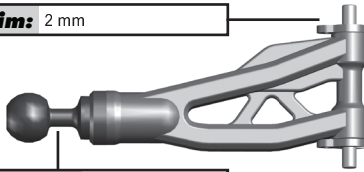
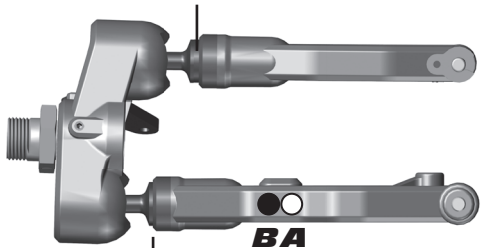
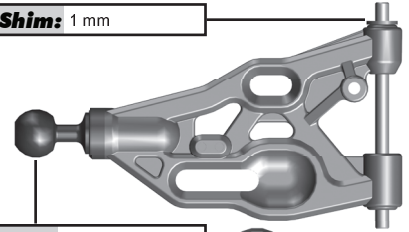


RESET
Front Suspension:

Ride Height: 25 mm
Camber: -1
Toe: +1
Anti-Roll Bar
Size: 2.4 mm (Green)
Gap: 2 mm
Ackerman
1 2 3 4 5
Notes: Short chassis brace

Caster Shim: 2 mm

Upper Ball Type: Steel

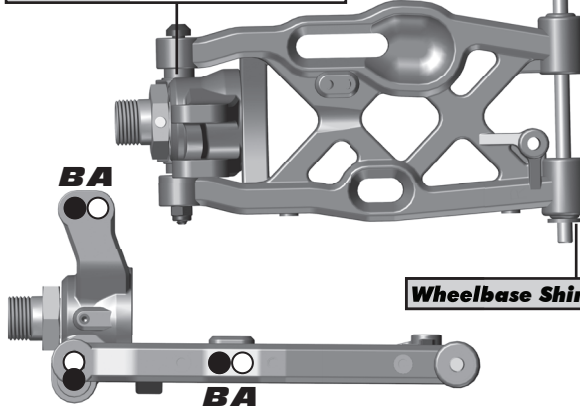
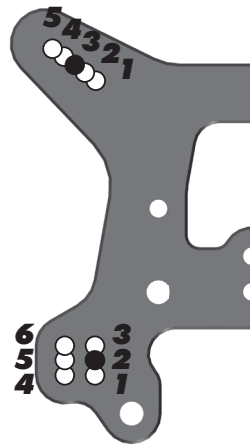
Upper Ball Shim: 0.7 mm (Medium)

Lower Ball Shim: 0.35 (Thin)

Wheelbase Shim: 1 mm

Lower Ball Type: Steel

Upper Arm Mount:
Arm Mount A:
Arm Mount B:

Rear Suspension:

Ride Height: 26 mm
Camber: -2
Anti-Roll Bar
Size: 2.5 mm (White)
Gap: 2 mm
Notes: Short chassis brace

Hub Shim: 2.5 mm

Arm Mount C:
Arm Mount D:
Wheelbase Shim: 1 mm

Electronics and Engine:

Radio: Airtronics M12
Receiver Battery: Reedy 2100 mAh #315
Throttle Servo: Reedy 1508
Steering Servo: Reedy 1508
EPA: Throttle: N/A % Brake: N/A %
Brake Bias: 50/50 D/R: N/A %
Engine: Novarossi Legend 4 Temp: N/A
Muffler: Novarossi 9901 Fuel: Nitrolux
Restrictor: 5.4 mm Glow Plug: P5

Differential Fluid:

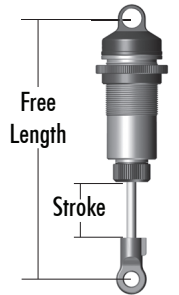
Front: 10,000 AE
Center: 15,000 AE
Rear: 7,000 AE
Notes:

Clutch and Gearing:

Spur Gear: 46	Bell: 13
Shoes: 2 x Aluminum + 1 x Carbon	
Springs: 3 x 1.00 mm	
Notes:	

Shocks:

	Front	Rear
Piston:	8 x 1.3 Flat	8 x 1.3 Flat
Fluid:	42.5 wt AE	37.5 wt AE
Spring:	Yellow	Gray
Stroke:	N/A	N/A
Free Length:	104 mm	122 mm
Notes:		


Track Info:

Size: Small <input type="checkbox"/> Medium <input type="checkbox"/> Large <input checked="" type="checkbox"/> Extra Large <input type="checkbox"/>
Surface: Dirt <input checked="" type="checkbox"/> Carpet <input type="checkbox"/> Astroturf <input type="checkbox"/> Multi Surface <input type="checkbox"/>
Traction: Low <input type="checkbox"/> Medium <input checked="" type="checkbox"/> High <input checked="" type="checkbox"/> Very High <input type="checkbox"/>
Moisture: Dry <input checked="" type="checkbox"/> Damp <input type="checkbox"/> Wet <input type="checkbox"/>
Condition: Indoor <input type="checkbox"/> Outdoor <input checked="" type="checkbox"/> Dusty <input type="checkbox"/> Hard Packed <input checked="" type="checkbox"/> Bumpy <input checked="" type="checkbox"/> Grooved <input checked="" type="checkbox"/> Smooth <input type="checkbox"/> Loamy <input type="checkbox"/>
Temperature: Ambient: Track:
Notes:

Tires:

Front Tires: Pro-Line Blockades
Front Compound: X3
Front Insert: Pro-Line
Rear Tires: Pro-Line Blockades
Rear Compound: X3
Rear Insert: Pro-Line
Wheel (F/R): Pro-Line
Notes:

Body, Wings:

Body: Team Associated Kit
Wing: Pro-Line Trifecta
Wing Height: High: <input type="checkbox"/> Low: <input checked="" type="checkbox"/>
Gap to Tower:
Weight:
Total Vehicle Weight: 3270g
Notes:

Vehicle Comments:

Notes:
