

Front Suspension

Anti Roll Bar:

- 2.2mm Green
- 2.3mm White
- 2.4mm Blue
- 2.5mm Yellow

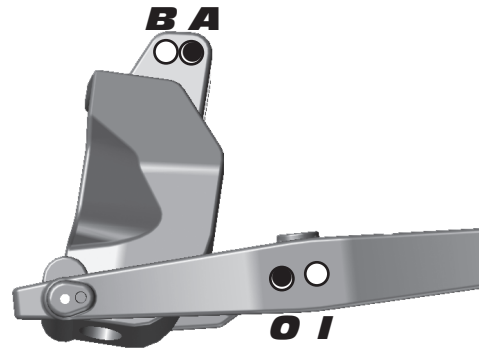
Steering System:

- Swing Rack
- Bellcrank Rack


Bumpsteer
Washers: _____ None

Camber: _____ -1

Caster: _____ 16

Toe: _____ -1

Ride Height: _____ 27 mm

Upper Hinge Pin Bushing

Front # _____ 2

Up Down

Rear # _____ 2

Up Down

B-Plate Type

Low Original

Kickup Bushing A-Plate

_____ 2

Up Down

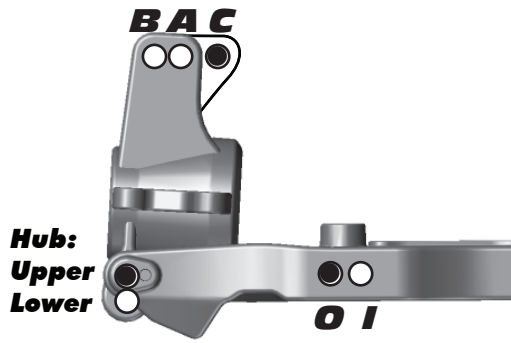
Rear Suspension

RESET
Anti Roll Bar:

- 2.5mm Green
- 2.6mm White
- 2.7mm Blue
- 2.8mm Yellow

Wheelbase:

- Long
- Medium
- Short

Camber: _____ -2

Ride Height: _____ 29 mm

Toe Bushing D-Plate

_____ 2

In Out

Squat Bushing C-Plate

_____ 2

Up Down

Front Shocks

Spring: _____ Associated Silver

Shock Fluid: _____ Associated 30 wt

Piston: _____ 5 x 1.1 + 5 x 1.3

Shock Cap: _____ Bladder

Length: _____ 102 mm

Rebound: _____ None

Rear Shocks

Spring: _____ Associated Silver

Shock Fluid: _____ Associated 27.5 wt

Piston: _____ 5 x 1.1 + 5 x 1.3

Shock Cap: _____ Bladder

Length: _____ 122

Rebound: _____ None

Chassis Braces

- Chassis Braces: _____
- Pivot
- Molded
- Aluminum

Wheel Hex

- Wheel Hex: _____
- Narrow
- Wide

Caster Blocks

- Caster Blocks: _____
- Vertical
- Inclined

Chassis Weight

Weight: _____

Rear Hubs

- Rear Hubs: _____
- Standard
- CNC FT Alum.

Differentials

Front Diff: _____ 5000

Center Diff: _____ 7000

Rear Diff: _____ 5000

Notes: _____

Body / Wing

Body Type: _____ JConcepts Finisher

Wing Type: _____ JConcepts Finisher

Gap to Tower (MM): _____ 28 mm

Gearing

Spur Gear: _____ 46

Pinion: _____ 20

Motor / ESC / Batteries

Motor & Wind: _____ Reedy Sonic 1800 kV

ESC: _____ LRP iX8

ESC Setting: _____ v1.8 Software - 0/1/4/0

Batteries: _____ Reedy 4S 5500 mAh

Tires

Tire (F/R): _____ JConcepts Hybrids / JConcepts Hybrids

Compound (F/R): _____ Green / Green

Inserts (F/R): _____ JConcepts Stock / JConcepts Stock

Wheel (F/R): _____ JConcepts Mono / JConcepts Mono

Notes: _____

Radio / Servos

Radio: _____ Spektrum

Steering Servo: _____ Spektrum 56040

Steering Expo: _____ 0%

Brake Expo: _____ 0%

Brake EPA: _____ 80%

Dual Rate: _____ 100%

Notes: _____

Race and Vehicle Comments

Qualify: _____ 1st

Main: _____ A

Finish: _____ 1st

TQ:

Comments: _____

Track Info

Traction: High Medium Low

Surface: Smooth Bumpy Blue Groove

Soft Dirt Grass Clay Wet

Astroturf Dusty Other: _____