

**Front Suspension**

**Anti Roll Bar:**

- 2.2mm Green
- 2.3mm White
- 2.4mm Blue
- 2.5mm Yellow

**Steering System:**

- Swing Rack
- Bellcrank Rack

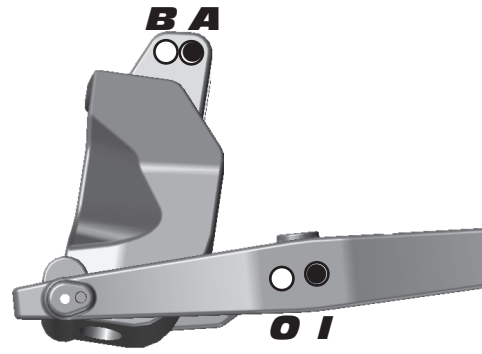
**Bumpsteer**

**Washers:** Tall Ballstud + 0.5mm

**Camber:** -1

**Caster:** 16

**Toe:** 0



**Upper Hinge Pin Bushing**

Front # 1  
 Up  Down

Rear # 2  
 Up  Down

**B-Plate Type**

Low  Original

**Kickup Bushing A-Plate**

# 2  
 Up  Down

**Ride Height:** 30 mm

**Rear Suspension**

RESET

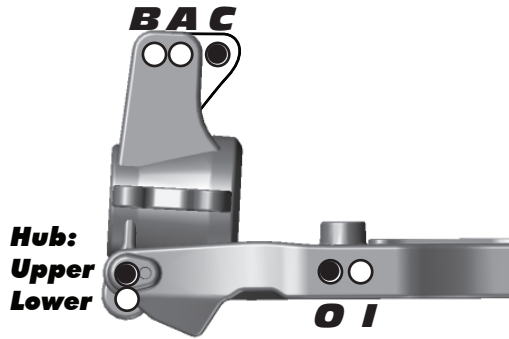
**Anti Roll Bar:**

- 2.5mm Green
- 2.6mm White
- 2.7mm Blue
- 2.8mm Yellow

**Wheelbase:**

- Long
- Medium
- Short

**Camber:** -1



**Toe Bushing D-Plate**

# 1  
 In  Out

**Squat Bushing C-Plate**

# 2  
 Up  Down

**Hub:** Upper Lower O I

**Ride Height:** 29 mm

**Front Shocks**

**Spring:** Silver **Shock Cap:** Bladder  
**Shock Fluid:** 35 wt Associated **Length:** 100.5 mm  
**Piston:** 5x1.1 + 5x1.2 **Rebound:** 0

**Rear Shocks**

**Spring:** Silver **Shock Cap:** Bladder  
**Shock Fluid:** 30 wt Associated **Length:** 118.5 mm  
**Piston:** 5x1.1 + 5x1.2 **Rebound:** 0

**Chassis Braces / Wheel Hex**

- Chassis Braces:** Wheel Hex: Standard  Narrow
- Pivot
  - Molded
  - Aluminum

**Chassis Weight**

**Weight:** No weight added

**Rear Hubs**

- Rear Hubs:** Standard  CNC FT Alum.

**Differentials**

**Front Diff Fluid:** 5000  
**Center Diff Fluid:** 5000  
**Rear Diff Fluid:** 5000  
**Notes:**

**Body / Wing**

**Body Type:** RC8e  
**Wing Type:** MP9  
**Gap to Tower (MM):** 32 mm

**Gearing**

**Spur Gear:** 46  
**Pinion:** 19

**Motor / ESC / Batteries**

**Motor & Wind:** Tekin 1900 kV  
**ESC:** LRP iX8  
**ESC Setting:** 4/1/3/0  
**Batteries:** Reedy #733 4S Wolfpack

**Tires**

**Tire (F/R):** JConcepts Barcode / JConcepts Barcode  
**Compound (F/R):** Gold / Gold  
**Inserts (F/R):** AKA Red / AKA Red  
**Wheel (F/R):** Associated 83mm / Associated 83mm  
**Notes:**

**Radio / Servos**

**Radio:** Airtronics M11x  
**Steering Servo:** XP1015 **Steering Expo:** -25%  
**Brake Expo:** -25%  
**Initial Brake:** **Drag Brake:**  
**Dual Rate:** 95%

**Race and Vehicle Comments**

**Qualify:** 1 **Main:** A **Finish:** 1 **TQ:** ✓  
**Comments:**

**Track Info**

- Traction:** High  Medium  Low
- Surface:** Smooth  Bumpy  Blue Groove   
 Soft Dirt  Grass  Clay  Wet   
 Astroturf  Dusty  Other: