

Front Suspension

Anti Roll Bar:

- 2.2mm Green
- 2.3mm White
- 2.4mm Blue
- 2.5mm Yellow

Steering System:

- Swing Rack
- Bellcrank Rack

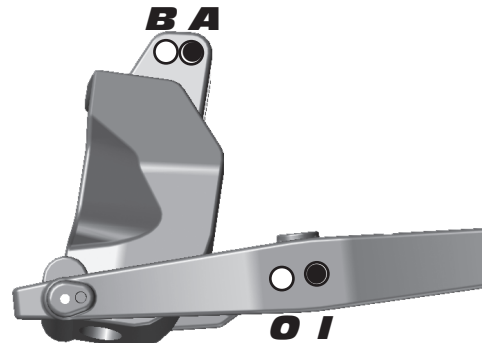
Bumpsteer

Washers: Tall Ballstud _____

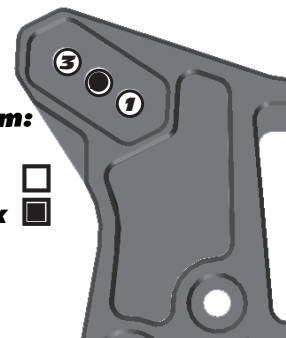
Camber: -2 _____

Caster: 16 _____

Toe: 0 _____



Ride Height: 29 mm



Upper Hinge Pin Bushing

Front # 1
 Up Down

Rear # 3
 Up Down

B-Plate Type

Low Original

Kickup Bushing A-Plate

1
 Up Down

Rear Suspension

RESET

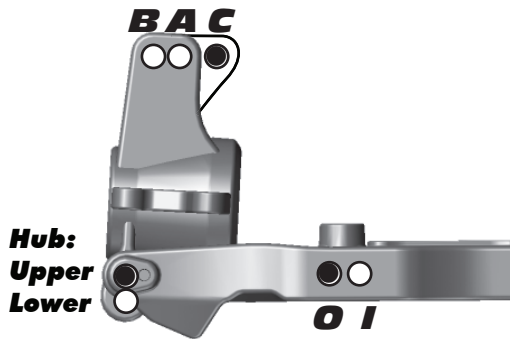
Anti Roll Bar:

- 2.5mm Green
- 2.6mm White
- 2.7mm Blue
- 2.8mm Yellow

Wheelbase:

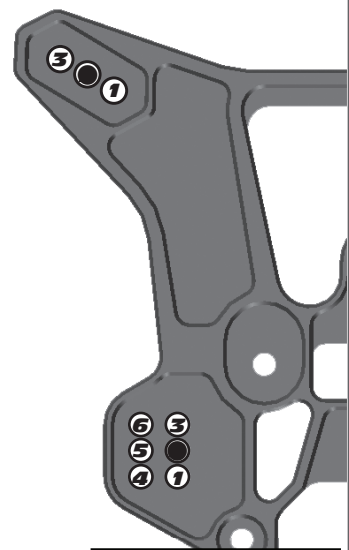
- Long
- Medium
- Short

Camber: -2 _____



Hub: Upper Lower

Ride Height: 30 mm



Toe Bushing D-Plate

1
 In Out

Squat Bushing C-Plate

2
 Up Down

Front Shocks

Spring: Silver Shock Cap: Bladder
 Shock Fluid: 37.5 Associated Length: 101 mm
 Piston: 1.3 mm x 8 Rebound: 3 mm

Rear Shocks

Spring: Silver Shock Cap: Bladder
 Shock Fluid: 27.5 Associated Length: 123.5 mm
 Piston: 1.3 mm x 8 Rebound: 3 mm

Chassis Braces / Wheel Hex

Chassis Braces: Wheel Hex:
 Pivot Standard
 Molded Narrow
 Aluminum

Chassis Weight

Weight: 3250g

Rear Hubs

Rear Hubs:
 Standard
 CNC FT Alum.

Differentials

Front Diff Fluid: 5000
 Center Diff Fluid: 5000
 Rear Diff Fluid: 5000
 Notes: _____

Body / Wing

Body Type: Proline Bulldog
 Wing Type: Upgrade Vortex
 Gap to Tower (MM): 28 mm

Gearing

Spur Gear: 48
 Pinion: 20

Motor / ESC / Batteries

Motor & Wind: Orion
 ESC: LRP iX8
 ESC Setting: 4/1/3/0
 Batteries: Orion 4S

Tires

Tire (F/R): Proline Sniper / Proline Sniper
 Compound (F/R): M4 / M4
 Inserts (F/R): AKA Red / AKA Red
 Wheel (F/R): Associated 83mm / Associated 83mm
 Notes: _____

Radio / Servos

Radio: Airtronics M11x
 Steering Servo: Airtronics 94931 Steering Expo: Airtronics 94931
 Brake Expo: 0%
 Initial Brake: Drag Brake:
 Dual Rate: 100%

Race and Vehicle Comments

Qualify: 1 Main: A Finish: 1 TQ:
 Comments: _____

Track Info

Traction: High Medium Low
 Surface: Smooth Bumpy Blue Groove
 Soft Dirt Grass Clay Wet
 Astroturf Dusty Other: _____