

Front Suspension

Anti Roll Bar:

- 2.2mm Green
- 2.3mm White
- 2.4mm Blue
- 2.5mm Yellow

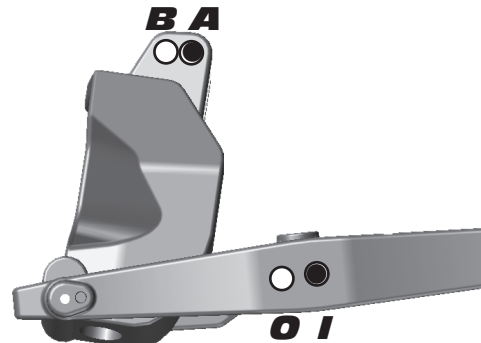
Steering System:

- Swing Rack
 - Bellcrank Rack
- back mid front

Bumpsteer
Washers: Tall Ball-stud + 1mm

Camber: -1/2

Caster: 16

Toe: -1

Ride Height: 27.0 mm

Upper Hinge Pin Bushing

Front # 1
Up Down

Rear # 1
Up Down

B-Plate Type

Low Original

Kickup Bushing A-Plate

3
Up Down

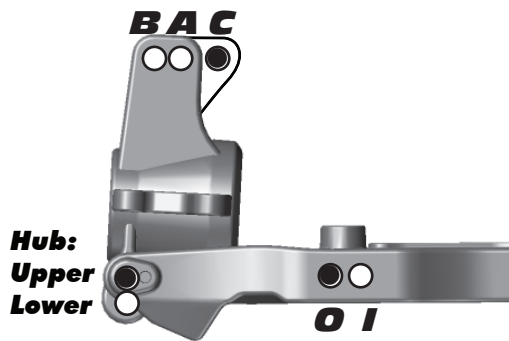
Rear Suspension

RESET
Anti Roll Bar:

- 2.5mm Green
- 2.6mm White
- 2.7mm Blue
- 2.8mm Yellow

Wheelbase:

- Long
- Medium
- Short

Camber: -1/2

Ride Height: 27.5 mm

Toe Bushing D-Plate

Avid Offset 1 Up
In Out

Squat Bushing C-Plate

1
Up Down

Front Shocks

Spring: Kyo Orange 4.0 lbs or Associated Silver **Shock Cap:** Bladder

Shock Fluid: Associated 40 wt **Length:** 100 mm

Piston: GHEA 6 x 1.3 Tapered **Rebound:** None

Rear Shocks

Spring: Losi Silver 2.70 lbs or Associated Green **Shock Cap:** Bladder

Shock Fluid: Associated 25 wt **Length:** 119 mm

Piston: GHEA 6 x 1.3 Tapered **Rebound:** None

Chassis Braces

- Chassis Braces:**
- Pivot
- Molded
- Aluminum

Wheel Hex

- Wheel Hex:**
- Narrow
- Wide

Caster Blocks

- Caster Blocks:**
- Vertical
- Inclined

Chassis Weight

Weight: 2325g

Rear Hubs

- Rear Hubs:**
- Standard
- CNC FT Alum.

Differentials

Front Diff: 7000

Center Diff: 6000

Rear Diff: 5000

Notes:

Body / Wing

Body Type: Proline 2012 Bulldog

Wing Type: Mugen Buggy wing

Gap to Tower (MM): 22mm (Low Wing Mount)

Gearing

Spur Gear: 46

Pinion: 20

Motor / ESC / Batteries

Motor & Wind: Reedy Sonic 1512 1800kv #988

ESC: LRP iX8

ESC Setting: 4/1/3/1

Batteries: Reedy Wolfpack 4S 3700mah #733

Tires

Tire (F/R): JConcepts Barcode / JConcepts Barcode

Compound (F/R): Gold / Gold

Inserts (F/R): AKA Red / AKA Red

Wheel (F/R): JConcepts Inverse / JConcepts Inverse

Notes: Track Formulas Monkey Spunk Tire Sauce

Radio / Servos

Radio: Spektrum DX3R Pro

Steering Servo: Spektrum S6100 **Steering Expo:** -20%

Brake Expo: -8% **Brake EPA:** 85%

Dual Rate: 100%

Notes: Throttle expo -13% servo speed 85%

Race and Vehicle Comments

Qualify: _____ **Main:** _____ **Finish:** _____ **TQ:** _____

Comments: Avid offset 1 dot down in the B plate

Track Info

- Traction:** High Medium Low
- Surface:** Smooth Bumpy Blue Groove
- Soft Dirt** **Grass** **Clay** **Wet**
- Astroturf** **Dusty** **Other:** Damp to drying