

### Front Suspension

**Anti Roll Bar:**
**Steering System:**

2.2mm Green   
 2.3mm White   
 2.4mm Blue   
 2.5mm Yellow

Bellcrank   
 Steering Rack:


**Bumpsteer**
**Washers:** Tall Ballstud \_\_\_\_\_

**Camber:** \_\_\_\_\_ -1/2

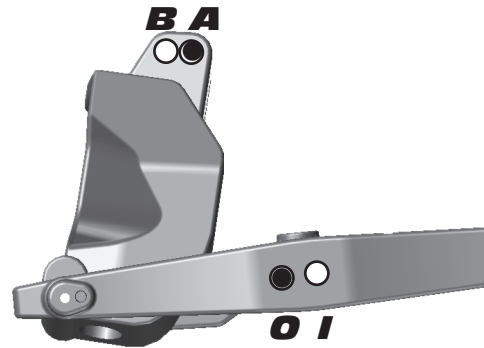
**Caster:** \_\_\_\_\_ 16

**Toe:** \_\_\_\_\_ 0

**Upper Hinge Pin Bushing**
**Front #** \_\_\_\_\_ 1

**Up**  **Down** 
**Rear #** \_\_\_\_\_ 1

**Up**  **Down** 
**B-Plate Type**
**Low**  **Original** 
**Kickup Bushing A-Plate**
**#** \_\_\_\_\_ 1

**Up**  **Down** 

**Ride Height:** \_\_\_\_\_ 28 mm

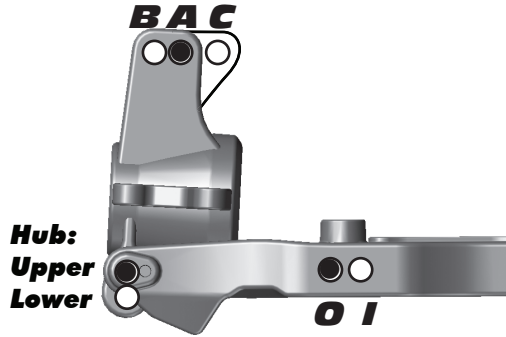
### Rear Suspension

**RESET**
**Anti Roll Bar:**

2.5mm Green   
 2.6mm White   
 2.7mm Blue   
 2.8mm Yellow

**Wheelbase:**

**Long**   
**Medium**   
**Short**

**Camber:** \_\_\_\_\_ -1/2

**Ride Height:** \_\_\_\_\_ 29 mm

**Toe Bushing D-Plate**
**#** \_\_\_\_\_ GHEA LRC 2 Down

**In**  **Out** 
**Squat Bushing C-Plate**
**#** \_\_\_\_\_ GHEA LRC 1

**Up**  **Down** 

### Front Shocks

**Spring:** \_\_\_\_\_ Kyo Gray **Shock Cap:** \_\_\_\_\_ Bladder  
**Shock Fluid:** \_\_\_\_\_ 42.5 wt **Length:** \_\_\_\_\_ 100 mm  
**Piston:** \_\_\_\_\_ 8x1.3 Tapered **Rebound:** \_\_\_\_\_ 3 mm

### Rear Shocks

**Spring:** \_\_\_\_\_ Kyo Lt Blue **Shock Cap:** \_\_\_\_\_ Bladder  
**Shock Fluid:** \_\_\_\_\_ 32.5 wt **Length:** \_\_\_\_\_ 118 mm  
**Piston:** \_\_\_\_\_ 8x1.3 Tapered **Rebound:** \_\_\_\_\_ 3 mm

### Chassis Braces / Wheel Hex

**Chassis Braces:** **Wheel Hex:**  
**Pivot**  **Standard**   
**Molded**  **Narrow**   
**Aluminum**

### Chassis Weight

**Weight:** \_\_\_\_\_ 3220g

### Rear Hubs

**Rear Hubs:**  
**Standard**   
**CNC FT Alum.**

### Differentials

**Front Diff Fluid:** \_\_\_\_\_ 5,000  
**Center Diff Fluid:** \_\_\_\_\_ 5,000  
**Rear Diff Fluid:** \_\_\_\_\_ 5,000  
**Notes:** \_\_\_\_\_

### Body / Wing

**Body Type:** \_\_\_\_\_ JConcepts Silencer  
**Wing Type:** \_\_\_\_\_ JConcepts Finisher  
**Gap to Tower (MM):** \_\_\_\_\_

### Gearing / Clutch

**Spur Gear:** \_\_\_\_\_ 44  
**Clutch Bell:** \_\_\_\_\_ 16  
**Clutch Shoes:** \_\_\_\_\_ 3 x Hard Aluminum  
**Clutch Spring:** \_\_\_\_\_ 3 x 1.0

### Engine

**Engine:** \_\_\_\_\_ Orion 3 Port  
**Restrictor:** \_\_\_\_\_ 7 mm **Temp:** \_\_\_\_\_ 240  
**Muffler:** \_\_\_\_\_ Orion 2058  
**Glow Plug:** \_\_\_\_\_ Orion 5 **Fuel:** \_\_\_\_\_ Strike V2 30%

### Tires

**Tire (F/R):** \_\_\_\_\_ AKA Impact / \_\_\_\_\_ AKA Impact  
**Compound (F/R):** \_\_\_\_\_ Soft / \_\_\_\_\_ Soft  
**Inserts (F/R):** \_\_\_\_\_ AKA Red / \_\_\_\_\_ AKA Red  
**Wheel (F/R):** \_\_\_\_\_ AKA (No Stiffeners) / \_\_\_\_\_ AKA (No Stiffeners)  
**Notes:** \_\_\_\_\_

### Radio / Servos

**Radio:** \_\_\_\_\_ Airtronics M12 **Brake Bias:** \_\_\_\_\_ 50/50  
**Throttle / Steering Servo:** \_\_\_\_\_ Airtronics 94771 / \_\_\_\_\_ Airtronics 94780  
**Throttle / Brake expo:** \_\_\_\_\_ 0% / \_\_\_\_\_ 0%  
**Steering expo:** \_\_\_\_\_ 0%  
**Dual Rate:** \_\_\_\_\_ 100%

### Race and Vehicle Comments

**Qualify:** \_\_\_\_\_ **Main:** \_\_\_\_\_ **Finish:** \_\_\_\_\_ **TQ:** \_\_\_\_\_  
**Comments:** Vertical caster blocks; High wing mount; Carbon shock towers

### Track Info

**Traction:** **High**  **Medium**  **Low**   
**Surface:** **Smooth**  **Bumpy**  **Blue Groove**   
**Soft Dirt**  **Grass**  **Clay**  **Wet**   
**Astroturf**  **Dusty**  **Other:** \_\_\_\_\_