

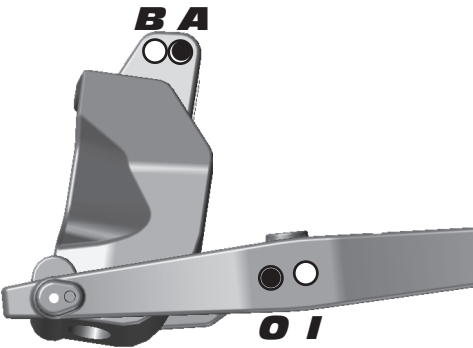
Setup Sheet

Conditions: Wet to drying; Hard packed with some fluff on top

Rev: 1

Front Suspension

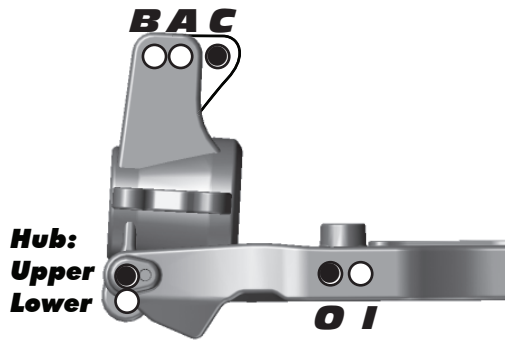
Steering System:

Swing Rack **Anti Roll Bar:**
Bellcrank Rack
2.2mm Green
2.3mm White
2.4mm Blue
2.5mm Yellow
Bumpsteer
Washers: 1/2 mm
Camber: -1
Caster: 16
Toe: -1

Upper Hinge Pin Bushing
Front # 1
Up **Down**
Rear # 2
Up **Down**
B-Plate Type
Low **Original**
Kickup Bushing A-Plate
2
Up **Down**
Ride Height: 29 mm

Rear Suspension

RESET

Wheelbase:

Long
Medium
Short
Anti Roll Bar:
2.5mm Green
2.6mm White
2.7mm Blue
2.8mm Yellow
Camber: -1

Hub:
Upper
Lower
Ride Height: 30 mm
Toe Bushing D-Plate
1
In **Out**
Squat Bushing C-Plate
2
Up **Down**

Front Shocks

Spring: Associated Silver **Shock Cap:** Bladder
Shock Fluid: Associated 32.5 **Length:** 106 mm
Piston: 8 x 1.3 Tapered **Rebound:** 10 mm

Rear Shocks

Spring: Associated Silver **Shock Cap:** Bladder
Shock Fluid: Associated 27.5 **Length:** 121 mm
Piston: 8 x 1.3 Tapered **Rebound:** 10 mm

Chassis Braces / Wheel Hex

Chassis Braces: **Wheel Hex:**
Pivot **Standard**
Molded **Narrow**
Aluminum

Chassis Weight

Weight: 3350g

Rear Hubs

Rear Hubs:
Standard
CNC FT Alum.

Differentials

Front Diff Fluid: 5000
Center Diff Fluid: 5000
Rear Diff Fluid: 5000

Body / Wing

Body Type: Proline Bulldog
Wing Type: MP9
Gap to Tower (MM): 25 mm

Gearing / Clutch

Spur Gear: 44
Clutch Bell: 16
Clutch Shoes: 3 x Hard Aluminum
Clutch Spring: 3 x 1.0

Engine

Engine: Orion Alpha
Restrictor: 7 mm **Temp:** 250
Muffler: Orion 2013
Glow Plug: Orion Hot **Fuel:** Sidewinder Strike 30%

Tires

Tire (F/R): Proline Blockade / Proline Blockade
Compound (F/R): M2 / M2
Inserts (F/R): AKA Red Closed Cell / AKA Red Closed Cell
Wheel (F/R): Associated 83 mm / Associated 83 mm
Notes:

Radio / Servos

Radio: Airtronics M11x **Brake Bias:** 50/50
Throttle / Steering Servo: Airtronics 94931 / Airtronics 94931
Throttle / Brake expo: 0% / 0%
Steering expo: 0%
Dual Rate: 100%

Race and Vehicle Comments

Qualify: 1 **Main:** A **Finish:** 1 **TQ:** _____
Comments: Started 1st in the A-main and ROAR National Champion!

Track Info

Traction: **High** **Medium** **Low**
Surface: **Smooth** **Bumpy** **Blue Groove**
Soft Dirt **Grass** **Clay** **Wet**
Astroturf **Dusty** **Other:** Watered for 60 minute final