

Front Suspension

Anti Roll Bar:
Steering System:

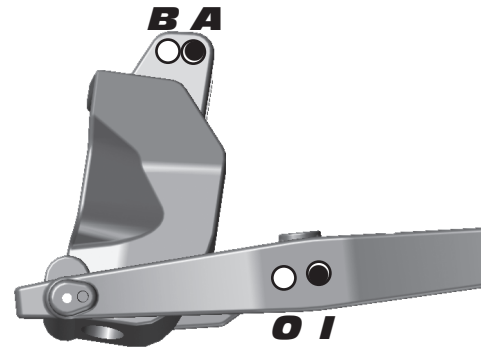
- 2.2mm Green
- 2.3mm White
- 2.4mm Blue
- 2.5mm Yellow

- Bellcrank
- Steering Rack:


Bumpsteer
Washers: Tall Ballstud + 1/2 mm

Camber: -1/2

Caster: 16°

Toe: 0


Upper Hinge Pin Bushing

Front # 3

Up Down

Rear # 2

Up Down

B-Plate Type

Low Original

Kickup Bushing A-Plate

2

Up Down

Ride Height: 29 mm

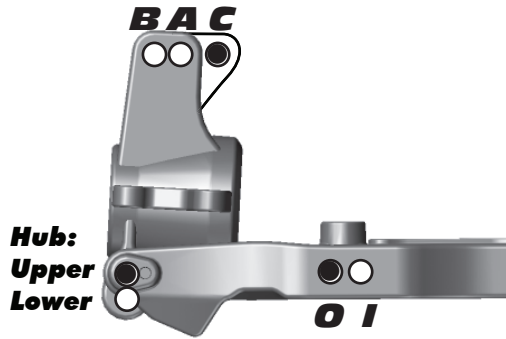
Rear Suspension

RESET
Anti Roll Bar:

- 2.5mm Green
- 2.6mm White
- 2.7mm Blue
- 2.8mm Yellow

Wheelbase:

- Long
- Medium
- Short

Camber: -3

Hub:
Upper
Lower
Ride Height: 30 mm

Toe Bushing D-Plate

GHEA LRC 3 Down

In Out

Squat Bushing C-Plate

GHEA LRC 2 Down

Up Down

Front Shocks

Spring: K Lt Blue **Shock Cap:** Bladder

Shock Fluid: Associated 47.5 wt **Length:** 100 mm

Piston: 8 x 1.3 **Rebound:** 0

Rear Shocks

Spring: K Lt Blue **Shock Cap:** Bladder

Shock Fluid: Associated 35 wt **Length:** 119 mm

Piston: 8 x 1.3 **Rebound:** 0

Chassis Braces / Wheel Hex

Chassis Braces: **Wheel Hex:**

Pivot **Standard**

Molded **Narrow**

Aluminum

Chassis Weight

Weight: _____

Rear Hubs

Rear Hubs:

Standard

CNC FT Alum.

Differentials

Front Diff Fluid: 5000

Center Diff Fluid: 5000

Rear Diff Fluid: 5000

Notes: _____

Body / Wing

Body Type: JConcepts Finisher

Wing Type: UpGrade Vortex

High wing mount

Gap to Tower (MM): 28 mm

Gearing / Clutch

Spur Gear: 44

Clutch Bell: 15

Clutch Shoes: 3 x Associated Hard Aluminum

Clutch Spring: 1.1 x 1 + 1.0 x 2

Engine

Engine: LRP .21 ZZ CC

Restrictor: 7 mm **Temp:** 260

Muffler: OS 2090

Glow Plug: WT4 **Fuel:** Strike Clear 30%

Tires

Tire (F/R): JConcepts Striker / JConcepts Striker

Compound (F/R): Green or Blue or Yellow / Green or Blue or Yellow

Inserts (F/R): Closed Cell / Closed Cell

Wheel (F/R): Associated 83 mm / Associated 83 mm

Notes: _____

Radio / Servos

Radio: Futaba 4PKs **Brake Bias:** 50/50

Throttle / Steering Servo: Futaba S9353HV / Futaba S9353HV

Throttle / Brake expo: 0% / 0%

Steering expo: 0%

Dual Rate: 100%

Race and Vehicle Comments

Qualify: _____ **Main:** _____ **Finish:** _____ **TQ:**

Comments: Mud guards; Rear camber link drilled 1 hole lower; Vertical caster blocks & spindles;

Track Info

Traction: High Medium Low

Surface: Smooth Bumpy Blue Groove

Soft Dirt Grass Clay Wet

Astroturf Dusty Other: _____