

# RC 18

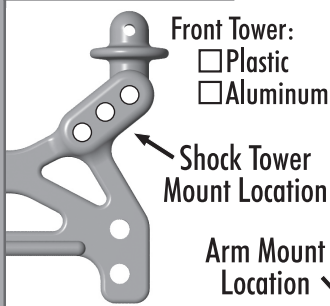
For more setups and setup sheets, click here:  
www.RC10.com • www.TeamAssociated.com

Driver: \_\_\_\_\_  
Track: \_\_\_\_\_  
Event: \_\_\_\_\_  
Conditions: \_\_\_\_\_

Date: \_\_\_\_\_  
 Indoor  Outdoor

RC18B  RC18R  RC18T  RC18MT

## Front Suspension



Front Tower:  
 Plastic  
 Aluminum

Shock Tower Mount Location

Arm Mount Location

Front Arm:  
 Plastic  Aluminum



Notes: \_\_\_\_\_

### Upright

Ballstud:  Short  Long

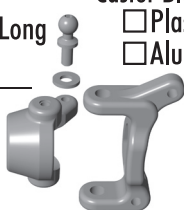
Ballstud Washers: \_\_\_\_\_

Steering Block:

Plastic  
 Aluminum

### Caster Block:

Plastic  
 Aluminum



### Shocks



Piston: \_\_\_\_\_ Oil: \_\_\_\_\_ wt

Spring: \_\_\_\_\_ Limiters: \_\_\_\_\_

Ride Height: \_\_\_\_\_ mm

Shock Body:  Plastic  Threaded Aluminum

### Alignment

Camber: \_\_\_\_\_°

Inner Camber Shims: \_\_\_\_\_

Toe: \_\_\_\_\_°

### Differential

Diff Setting: \_\_\_\_\_

Solid Axle

Oneway

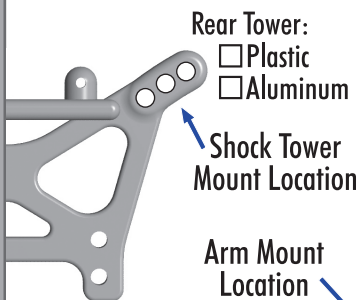
### Drivebones

Plastic Dogbones

Aluminum Dogbones

MIP CVD's

## Rear Suspension



Rear Tower:  
 Plastic  
 Aluminum

Shock Tower Mount Location

Arm Mount Location

Rear Arm:  
 Plastic  Aluminum



Notes: \_\_\_\_\_

### Upright

Hub Carrier:

Plastic  
 Aluminum



### Anti-Squat

Standard - 0°



Optional - 3.5°



### Shocks



Piston: \_\_\_\_\_ Oil: \_\_\_\_\_ wt

Spring: \_\_\_\_\_ Limiters: \_\_\_\_\_

Ride Height: \_\_\_\_\_ mm

Shock Body:  Plastic  Threaded Aluminum

### Alignment

Camber: \_\_\_\_\_°

Inner Camber Shims: \_\_\_\_\_

### Differential

Diff Setting: \_\_\_\_\_

Solid Axle

### Drivebones

Plastic Dogbones

Aluminum Dogbones

MIP CVD's

## Body & Wing

Body: \_\_\_\_\_ Wing: \_\_\_\_\_

Notes: \_\_\_\_\_

## Tires

### Front

Type: \_\_\_\_\_

Insert: \_\_\_\_\_

Wheel: \_\_\_\_\_

Traction Compound: \_\_\_\_\_

Notes: \_\_\_\_\_

### Rear

Type: \_\_\_\_\_

Insert: \_\_\_\_\_

Wheel: \_\_\_\_\_

## Electronics

Motor: \_\_\_\_\_ Gear: \_\_\_\_\_ t/ \_\_\_\_\_ t

Motor Brush: \_\_\_\_\_ Motor Spring: \_\_\_\_\_

Motor Timing: \_\_\_\_\_

Battery: \_\_\_\_\_ Position:  Fwd  Back

ESC: \_\_\_\_\_ Mode: \_\_\_\_\_

Drag Brake: \_\_\_\_\_ Initial Brake: \_\_\_\_\_

## Race Comments

Main: \_\_\_\_\_ Qualifying Position: \_\_\_\_\_ Finish: \_\_\_\_\_

Notes: \_\_\_\_\_

## Car Comments

Notes: \_\_\_\_\_