

Track Info:

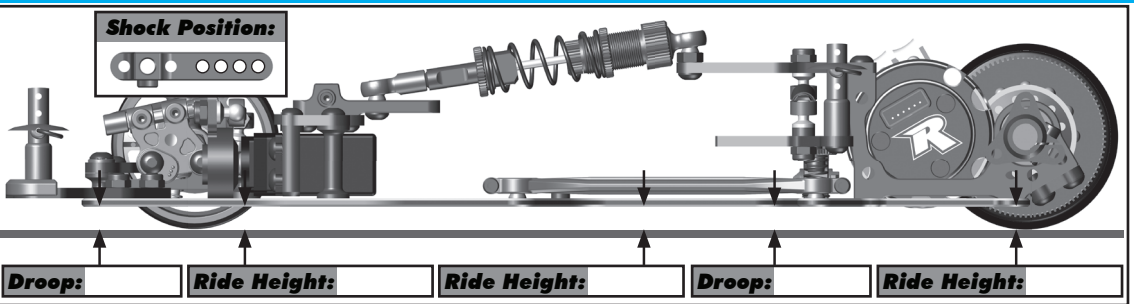
Size: Small Medium
Large X-Large

Surface: Carpet Asphalt
Indoor Outdoor

Traction: Low Medium
High Wet

Condition: Bumpy Smooth

Temperature: Ambient Track



Vehicle Info:

Body: _____

Weight: _____

Notes: _____

Shock:

Piston: _____

Fluid: _____

Spring: _____

Rebound: _____

Pre Load: _____

Free Length:

Notes: _____

Diff Setting:

Loose Medium Tight

Electronics:

Radio: _____

Servo: _____

EPA: Throttle: _____ % Brake: _____ %

ESC: _____

ESC Settings: _____

Motor: _____

Timing: _____

Pinion: _____ **Spur:** _____

Rollout: _____

Battery: _____

Notes: _____

Tires:

Front Tires: _____

Front Tire Dia: _____

Rear Tire: _____

Rear Tire Dia: _____

Notes: _____

Front Tire Additive:	Left	Right
Additive Time:		
Rear Tire Additive:		
Additive Time:		

Toe: _____

-
0
+

Caster: 0mm 2°
0.55mm 4°
1.10mm 6°
1.65mm 8°

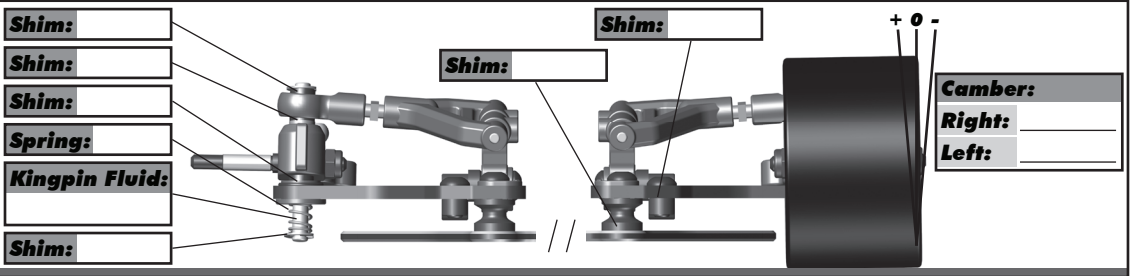
Caster Shims: 2° (0.55mm)
4° (1.10mm)

Dynamic Strut: 0°
2.5°
5°
7.5°
10°

Shim: _____

Track Width Inserts: Composite
Aluminum
0mm
+0.5mm
+1mm
+1.5mm
+2mm

Front Wheelbase: Std
+2mm



Side Spring: Pre Load: _____

Spring: _____

Damper Tube: _____

Fluid: _____

Axle Height: 1.0 0.75 0.5 0.25 0 0.25 0.5 0.75 1.0 STD + 1mm

Shim: _____ **Shim:** _____

Shim: _____ **Shim:** _____

