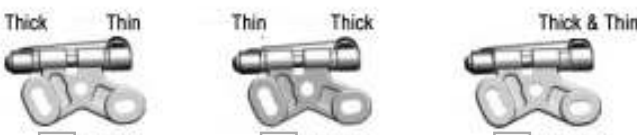


# 12R5.2

**::Driver:** olly jefferies **::Date:** 18 march  
**::Track:** chesterfield  
**::Event:** brca r6

## Setup sheet for Team Associated's 12R5.2

### ::Front Suspension

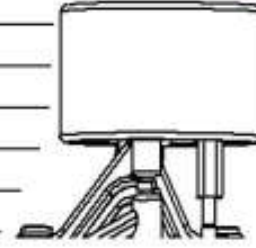
Ride height: 3.5  
Upper arm mounts:  0°  5°  10°  
  
 1.80°  3.25°  6.15°  
Camber:  1  0 Toe:  0  
Droop: just in spring  
Bumpsteer shims: black + 2mm  
King pin lube: black grease  
Springs: 0.18 with extra shim of pre load  
Front Brace:  None  Soft  Hard  
Front width: one wheel shim

### Roll Center

Shims on top of the steering block: kit  
Shims between bulkhead and caster block: 2mm  
Notes: 0.5mm between arm and mount

### ::Front Tires

Brand & compound: jaco magenta  
Diameter: 40.5mm  
Wheel: jaco  
Tire treatment: cs  
Treatment time: 20 min  
Surface treated: half  
Notes:



### ::Body

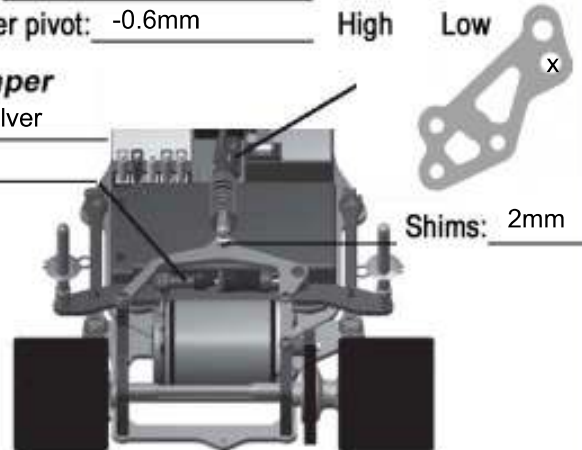
Brand & model: amr light  
Notes:

### ::Track Info

Composition:  Asphalt  Carpet  
Surface:  Smooth  Bumpy  
Traction:  High  Medium  Low  
Notes:

### ::Rear Suspension

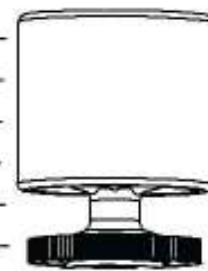
Ride height adjuster: 2.75 **Center damper**  
Chassis ride height: 3.5mm Brand: ae  
Pod ride height: 3.5mm Spring: blue  
Droop: 1.2mm Oil: 25wt  
Rear width: 171mm Position:  
Shims under pivot: -0.6mm High Low  
**Side damper**  
Springs: silver  
Oil: 25wt



Notes:

### ::Rear Tires

Brand & compound: jaco pink  
Diameter: 42mm  
Wheel: jaco  
Tire treatment: cs  
Treatment time: ~~10~~ 20 mins  
Surface treated: full  
Notes:



### ::Motor / Battery

Motor: reedy 3.5 Rotor: std  
Timing: 3 mark  
Pinion: 25 Spur: ~~90~~ 96  
Rollout: 0.000  
Battery:  
Plugs position:  Front  Back

### ::Speed Control

ESC: lrp sxx v2  
Setting: 0863

### ::Transmitter

Turning Circle: 1feet  
Steering Expo: -20  
Brake E.P.: 100  
Throttle Expo: 0  
Notes: