

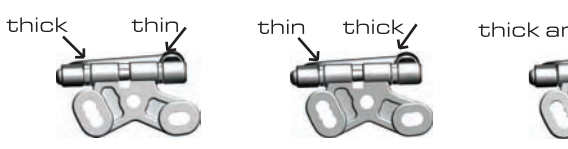
12R5.1

:: Driver: Team Associated **:: Date:** _____
:: Track: Standard 12R5.1 Setup
:: Event: _____


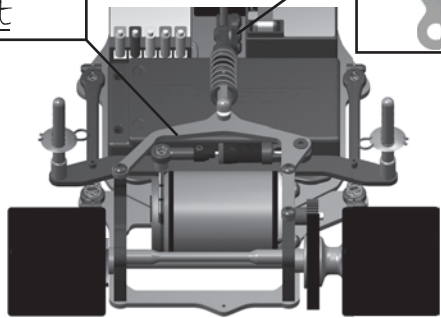
Setup Sheet for Team Associated's 12R5.1

Rev. 1

:: Front Suspension

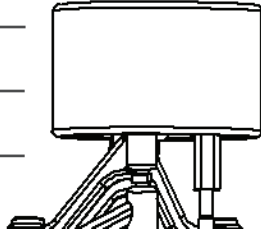
Kingpin Lube: _____
 Springs: .020
 Upper Arm Mounts: 0° 5° 10°
 Camber: -1°
 Caster:
 thick thin thin thick thick and thin

 1.80° 3.25° 6.15°
 Ride Height: 3.5mm
 Notes: _____

:: Rear Suspension

Side Spring: blue
 T-Plate: _____
 Ride Height Adjuster: _____
 Ride Height: 3.5mm
 Side Shock
 Oil: 20wt
 Center Shock
 Oil: 30wt
 Spring: gold
 Position: 

 Notes: _____

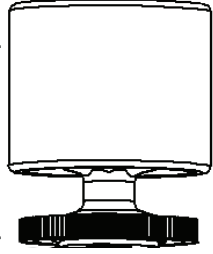
:: Front Tires

Tire: _____
 Diameter: _____
 Wheel Type: _____
 Additive: _____
 Notes: _____



:: Rear Tires

Tire: _____
 Diameter: _____
 Wheel Type: _____
 Additive: _____
 Notes: _____



:: Body

Body Type and Make: _____
 Notes: _____

:: Motor/Battery

Motor: _____
 Brush: _____ Spring: _____
 Timing: _____ Gear: _____/
 Battery: _____
 Battery Position:
 Front Back

:: Transmitter

Turning Circle: _____
 Steering Expo: _____
 Brake E.P. : _____
 Throttle Expo: _____
 Notes: _____

:: Track Info

smooth: bumpy:
 traction: high med. low
 Notes: _____

:: Speed Control

S.C. : _____
 S.C. Settings: _____