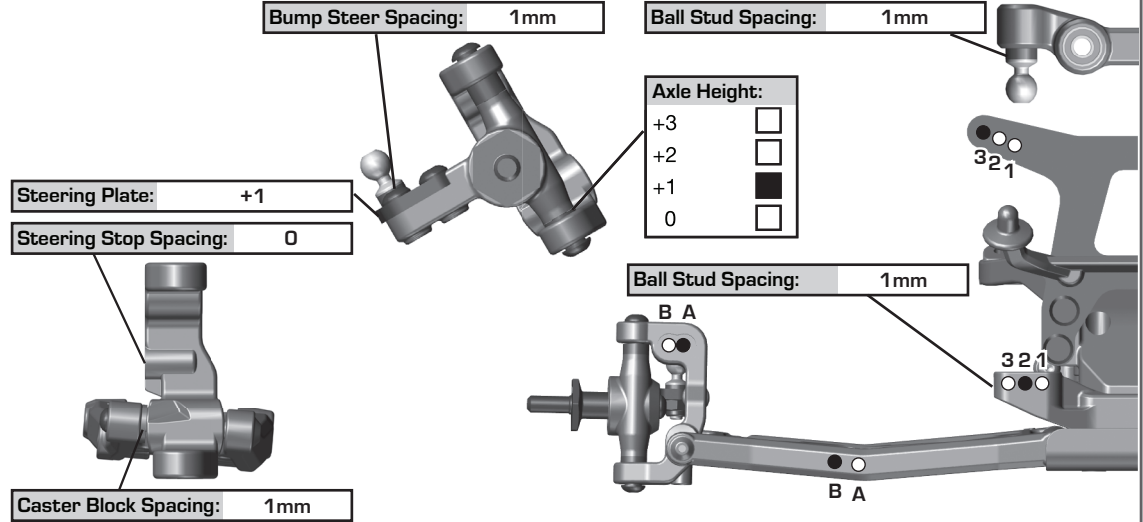


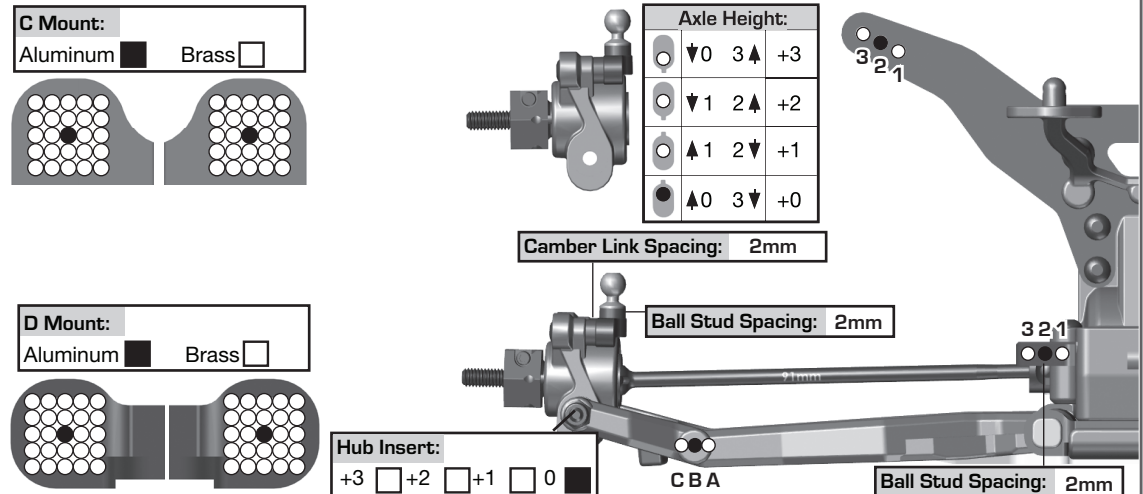
Front Suspension:

Ride Height:	27
Camber:	-1
Toe:	0
Anti-Roll Bar:	1.3mm
Arm Type:	Kit #71138
Tower Type:	Kit #71136
Wheel Hex:	8.5mm
Steering Block:	4mm
Caster Block Insert:	+5
Bulkhead Type:	Plastic
Kick-Up Angle:	25
Notes:	



Rear Suspension:

Ride Height:	26
Camber:	-1
Anti-Roll Bar:	
Arm Type:	Kit #71140
Tower Type:	Kit #71137
Wheel Hex:	8.5mm
Shock Mounting Position:	
Front of Arm <input type="checkbox"/> Rear of Arm <input checked="" type="checkbox"/>	
Hub Spacing: Fwd <input checked="" type="checkbox"/> Mid <input type="checkbox"/> Back <input type="checkbox"/>	
Notes:	



Electronics:

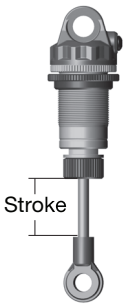
Radio:	Servo:
EPA: Throttle: % Brake: %	
ESC:	
ESC Settings:	
Motor:	
Wind:	Timing:
Pinion:	Spur: 81
Battery:	
Batt. Position: BACK 1 <input type="checkbox"/> 2 <input type="checkbox"/> 3 <input type="checkbox"/> 4 <input checked="" type="checkbox"/> 5 <input type="checkbox"/> FWD	

Drivetrain:

Transmission:	Laydown: <input checked="" type="checkbox"/>
	Layback: <input type="checkbox"/>
	Stand Up: <input type="checkbox"/>
Differential:	Ball Diff: <input checked="" type="checkbox"/>
Height: 2	Gear Diff: <input type="checkbox"/>
Notes:	
Slipper Clutch:	
Setting:	Kit
Pad Type:	2 Pads <input checked="" type="checkbox"/> 3 Pads <input type="checkbox"/>

Shocks:

	Front	Rear
Piston:	2 x 1.6	2 x 1.7
Fluid:	30wt	30wt
Spring:	Gray 54mm	White 72mm
Limiters:	0	0
Stroke:	27.5mm	35mm
Eyelet Length:	Long	Long
Cup Offset:	5mm	5mm
Notes:		



Track Info:

Size: Small <input type="checkbox"/> Medium <input type="checkbox"/> Large <input type="checkbox"/> Extra Large <input type="checkbox"/>
Surface: Dirt <input type="checkbox"/> Carpet <input type="checkbox"/> AstroTurf <input type="checkbox"/> Multi Surface <input type="checkbox"/>
Traction: Low <input type="checkbox"/> Medium <input type="checkbox"/> High <input type="checkbox"/> Very High <input type="checkbox"/>
Moisture: Dry <input type="checkbox"/> Damp <input type="checkbox"/> Wet <input type="checkbox"/>
Condition: Indoor <input type="checkbox"/> Outdoor <input type="checkbox"/> Dusty <input type="checkbox"/> Hard Packed <input type="checkbox"/> Bumpy <input type="checkbox"/> Grooved <input type="checkbox"/> Smooth <input type="checkbox"/> Loamy <input type="checkbox"/>
Temperature: Ambient: _____ Track: _____
Notes:

Tires:

Front Tires:
Front Compound:
Front Insert:
Rear Tires:
Rear Compound:
Rear Insert:
Wheel (F/R):
Notes:

Body, Weight:

Body:
Body Height:
Servo Weights: None <input checked="" type="checkbox"/> Aluminum <input type="checkbox"/> Steel <input type="checkbox"/> Other <input type="checkbox"/>
Electronic Weights: None <input type="checkbox"/> Aluminum <input checked="" type="checkbox"/> Steel <input type="checkbox"/> Other <input type="checkbox"/>
Total Vehicle Weight:

Vehicle Comments:

Notes: _____