

**Front Suspensions:**

Reset Forms

**Camber:** -1

**Total Toe:** 0

**Ride Height:** 31 mm

**Arm Type:** #71008, Standard

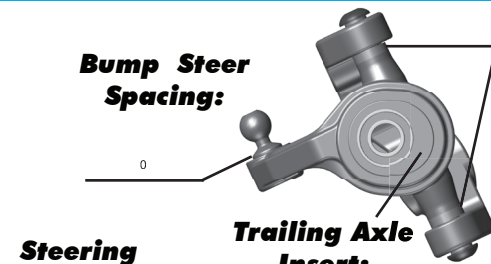
**Tower Type:** #71004, Standard

**Caster Block Insert:** 5

**Kick-Up Angle:** 25

**Wheel Hex:** #71012, Stock Axle

**Notes:** #91392 Aluminum Steering Set



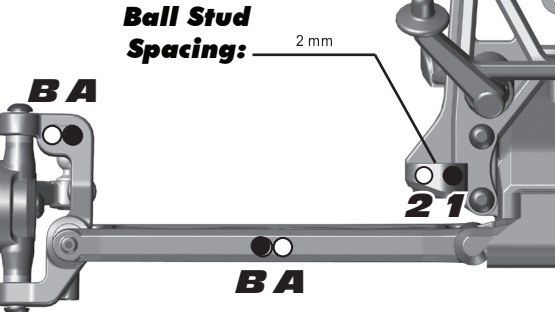
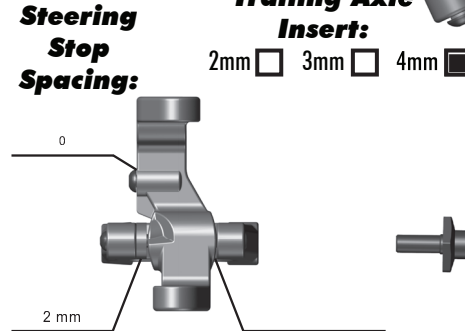
**Axle Height:**

Up

Middle

Down

**Ball Stud Spacing:** 2 mm



**Rear Suspension:**

**Camber:** -1

**Ride Height:** 28 mm

**Wheel Hex:** #71014, Clamping Wheel Hex 8.5 mm

**Hub Spacing:** Forward  Middle  Back

**Notes:** #71010, Rear Arms, Standard (Shimmed Back)  
#71006 Rear Tower, Standard  
#91548 Factory Team 0° Aluminum Hubs (Back Row Inside + 3 mm)

**Anti Roll Bar:**

None

Black (1.2mm)

Silver (1.3mm)

Gold (1.4mm)

**Rear Hub Link Setting:**

**A** C A Up  Down

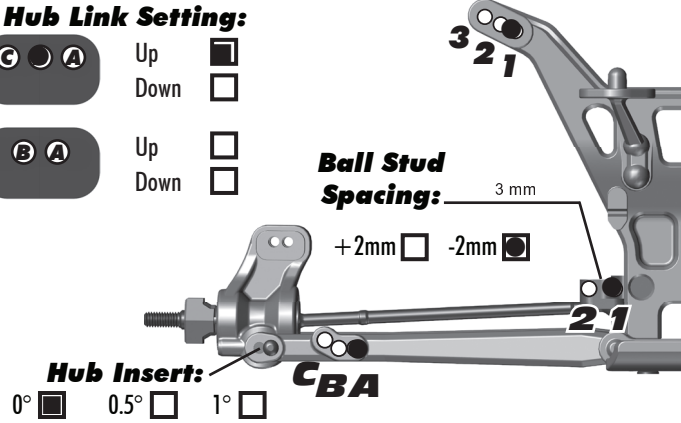
**B** B A Up  Down



**Inboard Toe:** 2.5

**Anti-Squat:** 1

**Insert (D):** Arrows In  0°  0.5°  1°



**Electronics:**

**Radio:** M12 **Servo:** Reedy 1206

**EPA: Throttle:** 100 % **Brake:** 80 %

**ESC:** Reedy BlackBox 410R

**ESC Settings:** N/A

**Motor:** Reedy Sonic Mach 2

**Wind:** 7.5 **Timing:** 15

**Pinion:** 19 **Spur:** 81

**Battery:** Reedy 3800 Wolfpack Shorty

**Battery Position:** 2 Small Pads Front, One Large Rear

**Drivetrain:**

**Differential:**

**3 Gear:**  **4 Gear:**

**Ball Diff:**  **Gear Diff:**

**Notes:**

**Slipper Clutch:**

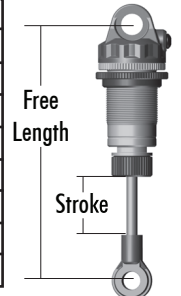
**Type:** Stock

**# of Pads:** 2

**Notes:** Tight

**Shocks:**

	Front	Rear
<b>Piston:</b>	2 x 1.5 Flat	3 x 1.4 Tapered
<b>Oil:</b>	35 wt	30 wt
<b>Spring:</b>	Red	Gray
<b>Limiters:</b>	3	1
<b>Cup Offset:</b>	9 mm	9 mm
<b>Stroke:</b>	26 mm	34.5 mm
<b>Free Length:</b>	N/A	N/A
<b>Notes:</b>	#91493 X-Rings	



**Track Info:**

**Size:** Small  Medium  Large  Extra Large

**Surfaces:** Dirt  Carpet  Astroturf  Multi Surface

**Traction:** Low  Medium  High  Very High

**Moisture:** Dry  Damp  Wet

**Condition:** Indoor  Outdoor  Dusty  Hard Packed

Bumpy  Grooved  Smooth  Loamy

**Temperature:** Ambient: \_\_\_\_\_ Track: \_\_\_\_\_

**Notes:**

**Tires:**

**Tires (F/R):** JConcepts Dirt Webs / JConcepts Dirt Webs

**Compound (F/R):** Gold / Gold

**Insert (F/R):** JConcepts Dirt Tech / JConcepts Dirt Tech

**Wheel (F/R):** JConcepts / JConcepts

**Notes:**

**Body & Wing:**

**Body:** JConcepts Finisher

**Wing:** Stock

**Notes:**

**Race Results:**

**Qualify:** 1 **Main:** A

**Finish:** 1 **TQ:**

**Best Lap Time:**

**Vehicle Comments:**

#91551 Factory Team Bearing Set;

**Total Vehicle Weight:**