

**Front Suspensions:**

**Camber:** -1

**Total Toe:** +1/2

**Ride Height:** 28 mm (Body On)

**Arm Type:** #71009 Hard

**Tower Type:** #71005 Hard

**Caster Block Insert:** 5°

**Kick-Up Angle:** 25° Plastic

**Wheel Hex:** #71012 Steel Axle

**Notes:** #91373 Front Hinge Pin Brace, Standard

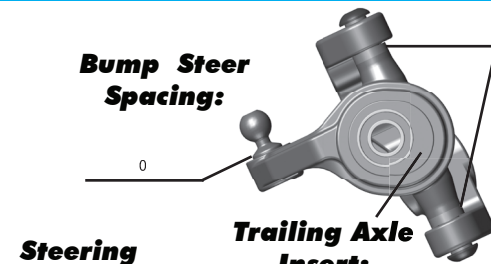
#91440 Front Caster Blocks, Standard

#91404 Steering Blocks, Standard

#91362 Top Plate, Standard

#91512 Chassis Plate, Standard

#91514 Chassis Cradle, Standard

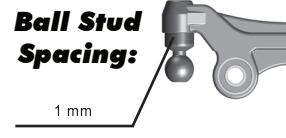


**Bump Steer Spacing:** 0

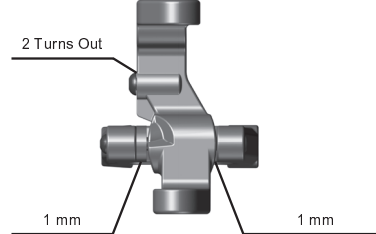
**Trailing Axle Insert:** 2mm  3mm  4mm

**Axle Height:**  
Up   
Middle   
Down

**Reset Forms**

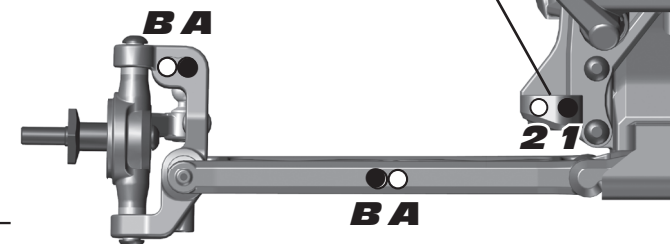


**Ball Stud Spacing:** 1 mm



**Steering Stop Spacing:** 2 Turns Out

**Caster Block Spacing:** 1 mm



**Ball Stud Spacing:** 1.5 mm

**Rear Suspension:**

**Camber:** -1

**Ride Height:** 27 mm (Body On)

**Wheel Hex:** #71014 Clamping 8.5 mm

**Hub Spacing:** Forward  Middle  Back

**Notes:** #71011 Hard Rear Arms

#71007 Hard Rear Tower

#91548 Aluminum Rear Hubs (Front Row Outside + 3mm)

**Anti Roll Bar:**  
None   
Black (1.2mm)   
Silver (1.3mm)   
Gold (1.4mm)

**Rear Hub Link Setting:**

**A** C B A Up   
Down

**B** A Up   
Down

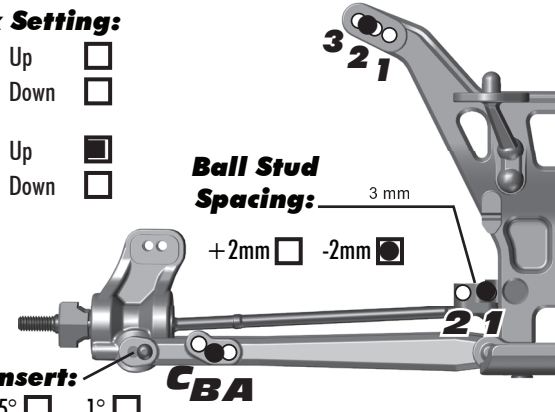


**Arm Mount:** 2.5+2

**Inboard Toe:** 3

**Anti-Squat:** 1

**Insert (D):** Arrows In



**Ball Stud Spacing:** 3 mm

+2mm  -2mm

**Hub Insert:** CBA  
0°  0.5°  1°

**Electronics:**

**Radio:** Airtronics M12 **Servo:** Reedy 1206

**EPA: Throttle:** 100 % **Brake:** 95 %

**ESC:** #27000 Reedy Blackbox 410R

**ESC Settings:** See Brent Thielke Baseline

**Motor:** Reedy Sonic M3

**Wind:** 7.0 **Timing:** 20°

**Pinion:** 19 **Spur:** 84

**Battery:** #602 Reedy 4100 mAh (40g Ahead Of Battery)

**Battery Position:** 1 Thin Pad Behind

**Drivetrain:**

**Differential:**

**3 Gear:**  **4 Gear:**

**Ball Diff:**  **Gear Diff:**

**Notes:** Tight

**Slipper Clutch:**

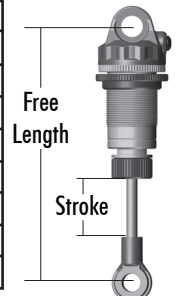
**Type:** #7485 Team Associated

**# of Pads:** 2

**Notes:** #9739 B44 Slipper Spring

**Shocks:**

	Front	Rear
<b>Piston:</b>	2 x 1.6 Flat V2	2 x 1.7 Flat V2
<b>Oil:</b>	35 wt	30 wt
<b>Spring:</b>	Truck White	Truck White
<b>Limiters:</b>	3	1
<b>Cup Offset:</b>	5 mm	5 mm
<b>Stroke:</b>	26.5 mm	35 mm
<b>Free Length:</b>	N/A	N/A
<b>Notes:</b>	#91493 X-Rings; #91450 Aluminum Shock Caps	



**Track Info:**

**Size:** Small  Medium  Large  Extra Large

**Surfaces:** Dirt  Carpet  Astroturf  Multi Surface

**Traction:** Low  Medium  High  Very High

**Moisture:** Dry  Damp  Wet

**Condition:** Indoor  Outdoor  Dusty  Hard Packed

Bumpy  Grooved  Smooth  Loamy

**Temperature: Ambient:** 90F **Track:** 90F

**Notes:**

**Tires:**

**Tires (F/R):** Pro-Line Electrons / Pro-Line Electrons

**Compound (F/R):** MC / MC

**Insert (F/R):** AKA Red Closed Cell / AKA Red Closed Cell

**Wheel (F/R):** #7852 Team Associated Hex / #7852 Team Associated Hex

**Notes:** WD40 Tire Additive

**Body & Wing:**

**Body:** JConcepts Finisher

**Wing:** JConcepts Finisher

**Notes:**

**Race Results:**

**Qualify:** 2 **Main:** A

**Finish:** 3 **TQ:**

**Best Lap Time:** 20.8

**Vehicle Comments:**

#91551 Factory Team Bearing Set; #91545 Factory Team Graphite Battery Strap; #91446 Factory Team Shock Bushings; #91547 Factory Team Milled Motor Plate; #91600 Factory Team Titanium Screw Kit; #91577 & #91579 Kashima Shock Bodies; #91620 & #91624 V2 Chrome Shock Shafts;

**Total Vehicle Weight:**