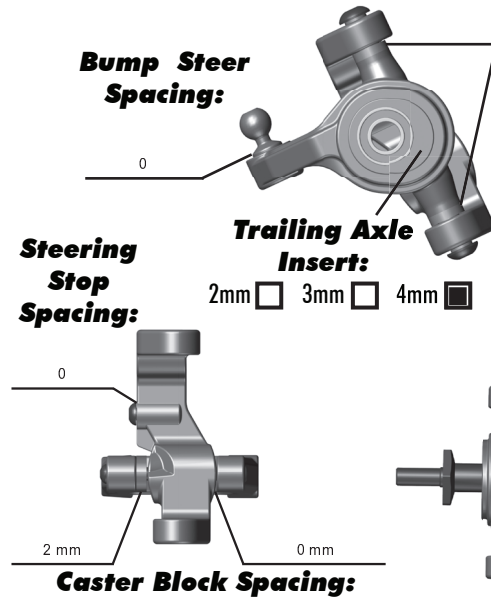


Front Suspensions:

Camber: 0
Total Toe: 0
Ride Height: 27 mm
Arm Type: #71009, Hard
Tower Type: #71005, Hard
Caster Block Insert: 5
Kick-Up Angle: 25
Wheel Hex: #71012, Stock Axle

Notes: #91373 Standard Front Hinge Pin Brace
#91441 Hard Front Caster Blocks
#91405 Hard Steering Blocks
#91363 Hard Top Plate
#91392 Aluminum Steering Set
#91512 Chassis Plate, Standard



Axle Height:
Up
Middle
Down

Ball Stud Spacing: 2 mm

Ball Stud Spacing: 1.5 mm

Rear Suspension:

Camber: -1
Ride Height: 26 mm
Wheel Hex: #71014, Clamping Wheel Hex 8.5 mm
Hub Spacing: Forward Middle Back

Notes: #71010, Rear Arms, Standard (Shimmed Back)
#91548 Factory Team 0° Aluminum Hubs (Back Row Inside + 3 mm)
#91520 Factory Team Aluminum Camber Link Mount (Low + 3 mm)
#91522 & #91524 Factory Team Aluminum Arm Mount (C) & (D)
#71006 Rear Tower, Standard

Anti Roll Bar:
None
Black (1.2mm)
Silver (1.3mm)
Gold (1.4mm)

Rear Hub Link Setting:
A C A Up Down
B B A Up Down

Arm Mount:



Inboard Toe: 3
Anti-Squat: 1
Insert (D): Arrows In

Hub Insert: 0° 0.5° 1°

Ball Stud Spacing: 3 mm
+2mm -2mm

Electronics:

Radio: Futaba **Servo:** Futaba BLS273SV
EPA: Throttle: 100 % **Brake:** %
ESC: LRP Flow Works Team (14 gauge wire)
ESC Settings: N/A
Motor: LRP X-20
Wind: 7.5 **Timing:** 4 Dot
Pinion: 19 **Spur:** 84
Battery: LRP 4800 Square
Battery Position: Middle

Drivetrain:

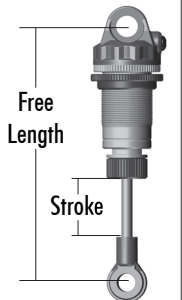
Differential:
3 Gear: **4 Gear:**
Ball Diff: **Gear Diff:**
Notes: Standard Tension

Slipper Clutch:

Type: Associated
of Pads: 2
Notes: V2 Vented Slipper Plates

Shocks:

	Front	Rear
Piston:	2 x 1.6 Kit	2 x 1.7 Kit
Oil:	35 Wt	30 Wt
Spring:	X-Gear Gold	X-Gear Gold
Limiters:	2	0
Cup Offset:	5 mm	5 mm
Stroke:	N/A	N/A
Free Length:	26.2 mm	36.8 mm
Notes:	#91493 X-Rings; #91450 Aluminum Caps	



Track Info:

Size: Small Medium Large Extra Large
Surfaces: Dirt Carpet Astroturf Multi Surface
Traction: Low Medium High Very High
Moisture: Dry Damp Wet
Condition: Indoor Outdoor Dusty Hard Packed
Bumpy Grooved Smooth Loamy

Temperature: Ambient: 70° **Track:** 70°
Notes:

Tires:

Tires (F/R): JConcepts Smoothies / JConcepts Smoothies
Compound (F/R): Gold / Gold
Insert (F/R): JConcepts Dirt Tech / JConcepts Dirt Tech
Wheel (F/R): JConcepts Mono / JConcepts Mono
Notes:

Body & Wing:

Body: JConcepts Finisher T5M
Wing: JConcepts Stock
Notes:

Race Results:

Qualify: 5th **Main:** A
Finish: 4th **TQ:** 19.6
Best Lap Time:

Vehicle Comments:

#91551 Factory Team Bearing Set; Battery taped in; Cradle cut between battery & speed control;
Total Vehicle Weight: