

**Front Suspensions:**

**Camber:** -2

**Total Toe:** 0

**Ride Height:** 30 mm

**Arm Type:** #71009, Hard

**Tower Type:** #71004, Standard

**Caster Block Insert:** 5

**Kick-Up Angle:** 25

**Wheel Hex:** #71014, 8.5mm Hex & #71013, Clamping Axle

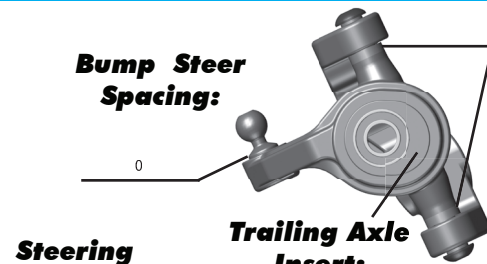
**Notes:** #91400 Caster Block, Standard

#91391, Steering Set, Plastic

#91512 Chassis Plate, Standard

#91373 Standard Front Hinge Pin Brace

#91362 Top Plate, Standard

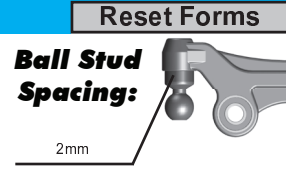


**Axle Height:**

Up

Middle

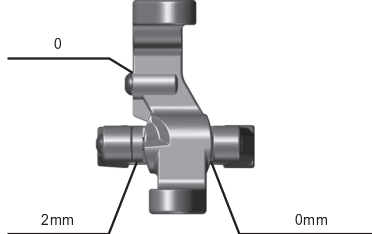
Down



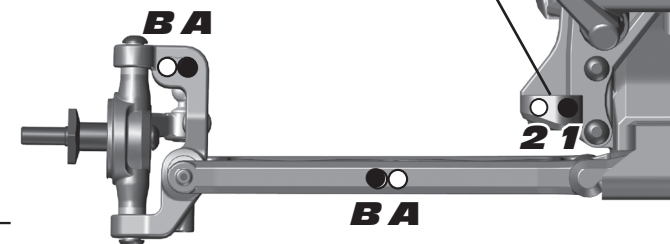
**Steering Stop Spacing:**

0

2mm  3mm  4mm



**Caster Block Spacing:**



**Rear Suspension:**

**Camber:** -1.5

**Ride Height:** 28.5 mm

**Wheel Hex:** #71014, Clamping Wheel Hex 8.5 mm

**Hub Spacing:**

Forward  Middle  Back

**Notes:** #71011, Rear Arms, Hard (Shimmed Back)

#91548 Factory Team 0° Aluminum Hubs (Back Row Inside + 3 mm)

#91522 & #91524 Factory Team Aluminum Arm Mount (C) & (D)

#71006 Rear Tower, Standard

**Anti Roll Bar:**

None

Black (1.2mm)

Silver (1.3mm)

Gold (1.4mm)

**Rear Hub Link Setting:**

**A**  C  A

Up  Down

**B**  B  A

Up  Down



**Arm Mount:**

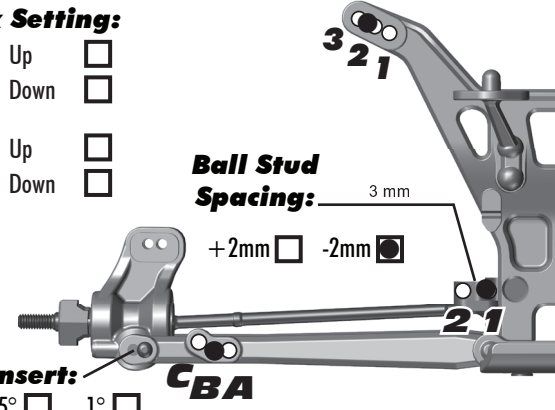
**Inboard Toe:** 3

**Anti-Squat:** 1

**Insert (D):** Arrows In

**Hub Insert:**

0°  0.5°  1°



**Electronics:**

**Radio:** M12 **Servo:** Reedy 1206

**EPA: Throttle:** 100 % **Brake:** 100 %

**ESC:** Reedy Blackbox 410R

**ESC Settings:** N/A

**Motor:** Reedy Sonic Mach2

**Wind:** 7.0 **Timing:** 10°

**Pinion:** 19 **Spur:** 84

**Battery:** Reedy SQ #314

**Battery Position:** Back

**Drivetrain:**

**Differential:**

**3 Gear:**  **4 Gear:**

**Ball Diff:**  **Gear Diff:**

**Notes:** Tight

**Slipper Clutch:**

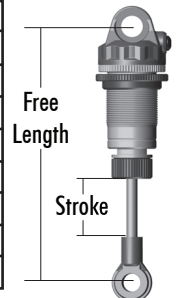
**Type:** Team Associated

**# of Pads:** 2

**Notes:** #7495 Vented V2 Slipper Hub

**Shocks:**

	Front	Rear
<b>Piston:</b>	3 x 1.4 Flat	2 x 1.6 Tapered
<b>Oil:</b>	35 wt	30 wt
<b>Spring:</b>	X-Gear White	X-Gear White
<b>Limiters:</b>	2	2
<b>Cup Offset:</b>	5mm	5mm
<b>Stroke:</b>	27 mm	37 mm
<b>Free Length:</b>	NA	NA
<b>Notes:</b>	#91493 X-Rings, #9145 Aluminum Caps	



**Track Info:**

**Size:** Small  Medium  Large  Extra Large

**Surfaces:** Dirt  Carpet  Astroturf  Multi Surface

**Traction:** Low  Medium  High  Very High

**Moisture:** Dry  Damp  Wet

**Condition:** Indoor  Outdoor  Dusty  Hard Packed

Bumpy  Grooved  Smooth  Loamy

**Temperature: Ambient:** 65 **Track:** 65

**Notes:**

**Tires:**

**Tires (F/R):** JConcepts Dirt Webs / JConcepts Dirt Webs

**Compound (F/R):** Blue / Blue

**Insert (F/R):** JConcepts Dirt Tech / JConcepts Dirt Tech

**Wheel (F/R):** JConcepts Mono / JConcepts Mono

**Notes:** Traction Compound - Duck Sauce

**Body & Wing:**

**Body:** JConcepts Finisher T5M

**Wing:** JConcepts stock

**Notes:**

**Race Results:**

**Qualify:** 1st **Main:** A

**Finish:** 1st **TQ:**

**Best Lap Time:** 14.7

**Vehicle Comments:**

#91551 Factory Team Bearing Set

**Total Vehicle Weight:**