

Press release online here: <http://bit.ly/1lmzdRU>

For Immediate Release: January 6, 2015

NEW! RC10T5M Team Kit



1:10 Scale 2WD Electric Off Road Competition Truck Kit

Since the beginning of the class, Team Associated has been the leader in 1:10 scale 2WD truck racing. Over 24 years have come and gone since the first RC10T made its debut in 1991 and created a winning legacy that continues today in a truck class which is ever evolving.

Making the perfect marriage. By taking the proven championship-winning RC10T4 platform and applying the technologies used in the B5M, the engineers of Team Associated's Area 51 created the RC10T5M. Like the B5M, the T5M has an aluminum chassis and mid-motor configuration that are designed to take full advantage of the surface conditions and high traction levels available on today's tracks.

The RC10T5M has been designed and built to the highest standard to give racers the performance edge over the competition.





1:10 Scale 2WD Electric Off Road Competition Truck Kit



Updated steering system with updated ball stud mounts for finer Ackermann adjustments



Steering and caster block insert system allows for easy caster & trailing axle adjustment



Hard anodized aluminum chassis with centralized mass and mid-motor position



Clear Pro-Line T5M body included



Updated 4-gear tranny with alum. top shaft, stronger gears, and carbide ball bearings



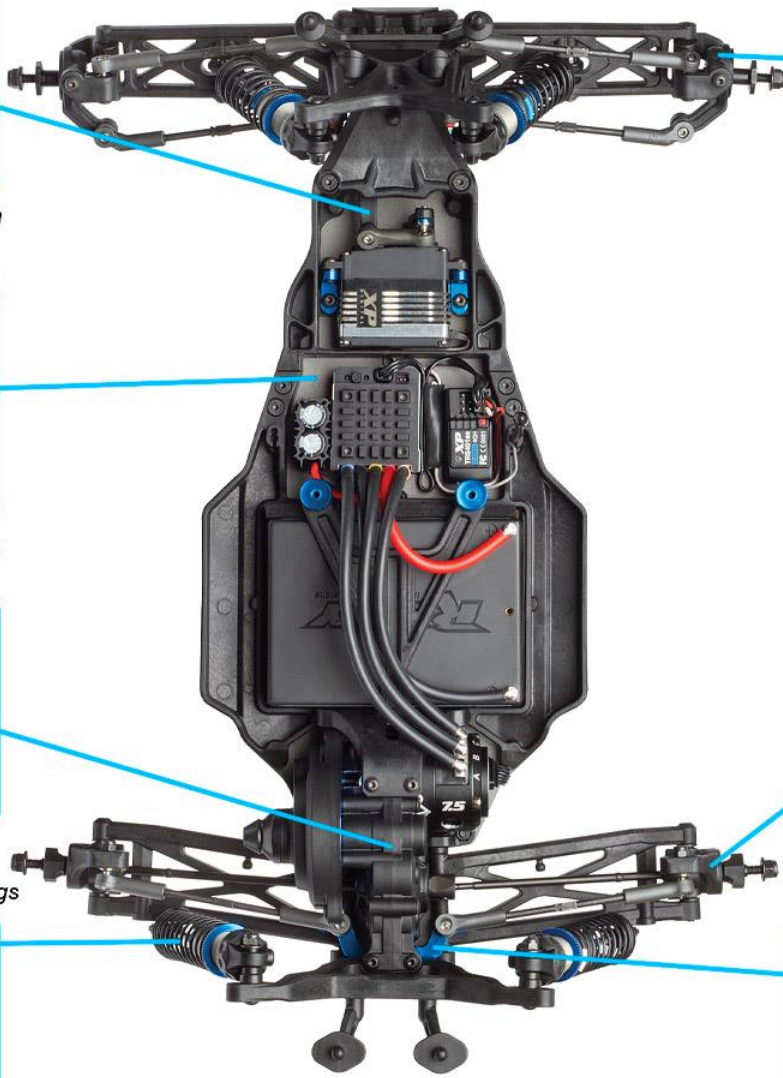
Rear hubs feature larger bearings and insert system to adjust camber link and toe-in



Factory Team V2 12mm Big Bore threaded alum. shocks with 3mm shafts



Aluminum rear ball stud mount for added strength



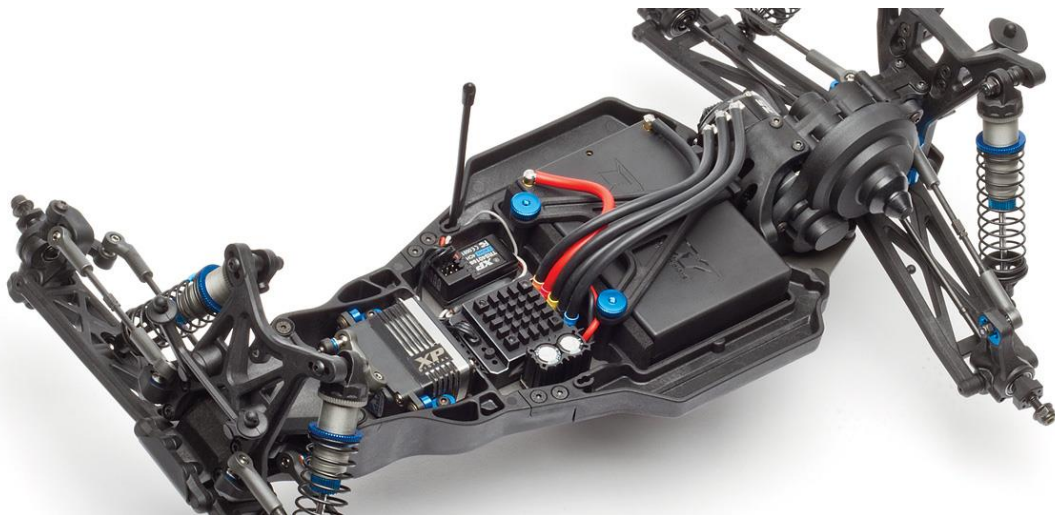
RC10T5M Team Kit Features:

- Advanced mid-motor design developed and applied to the race-winning RC10T truck platform
- Narrow, hard-anodized aluminum chassis with centralized mass and mid-motor position for improved handling on high-grip offroad tracks
- Chassis fits R.O.A.R.-approved 2S saddle packs and 2S short packs using optional foam insert
- Factory Team V2 12mm Big Bore-threaded aluminum shocks with 3mm shafts and low-friction O-rings
- Four-gear transmission with lighter aluminum top shaft, stronger gears, precision ball bearings, and a 14-carbide ball differential for increased life and torque capacity
- Adjustable front suspension mount angle (kick-up) options of 25° and 30°
- Pro-Line T5M clear body and spoiler included
- Aluminum rear ball stud mount included
- New inline front suspension features heavy-duty steering and caster blocks, while the insert system allows for easy caster and trailing axle adjustments
- One-piece front axle/hex adapter and larger front wheel bearing for added durability
- Full bearing steering system with horizontal ball studs for finer Ackermann adjustments
- Heavy-duty ball cups and ball studs allow for maximum suspension travel while reducing binding and friction
- Rear hubs feature larger bearings as well as the quick and easy insert system to adjust camber link position and rear toe-in

RC10T5M Team Kit Specifications:

Scale	1:10
Power	Electric
Length	406mm
Width	*Varies
Weight	*Varies
Wheelbase	285-289mm
Drive	2WD

**Final width and weight will vary with the actual electronics and tires used to complete the RC10T5M Team Kit*



RC10T5M Team Kit shown equipped with items NOT included in kit: Reedy motor, Reedy battery, Reedy ESC, XP servo, XP receiver, wheels, tires, and pinion gear. Body comes clear. Assembly and painting required.

UPC: 784695 700017	#70001	RC10T5M Team Kit	MSRP: \$459.99	MAP: \$279.99	Available March 2015
-----------------------	--------	------------------	-------------------	------------------	-------------------------

Download photos at: <http://www.teamassociated.com/pictures/highres/70001.zip>

