

Front Suspensions:

Camber: -1

Total Toe: 0

Ride Height: 27 mm

Arm Type: Hard #71009

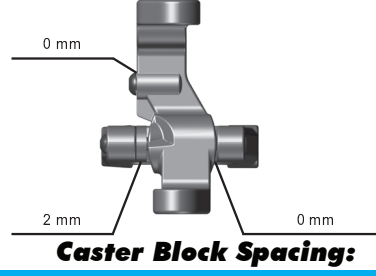
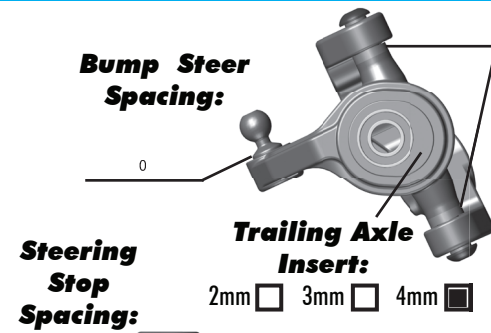
Tower Type: Standard #71004

Caster Block Insert: 5

Kick-Up Angle: 25

Wheel Hex: Stock #71033

Notes: Aluminum Bulkhead 25 deg. #91367

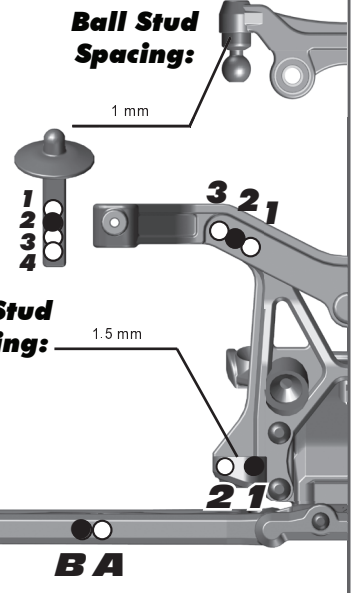


Axle Height:

Up

Middle

Down



Rear Suspension:

Camber: -1

Ride Height: 25 mm

Wheel Hex: 8.5 mm #71014

Hub Spacing:

Forward Middle Back

Notes: Hard Rear Arm #71011
Aluminum Rear Hubs #91548
Brass "C" Mount #91523

Anti Roll Bar:

None

Green (1.2mm)

White (1.3mm)

Blue (1.4mm)

Arm Mount:

2.5+2

Inboard Toe: 3

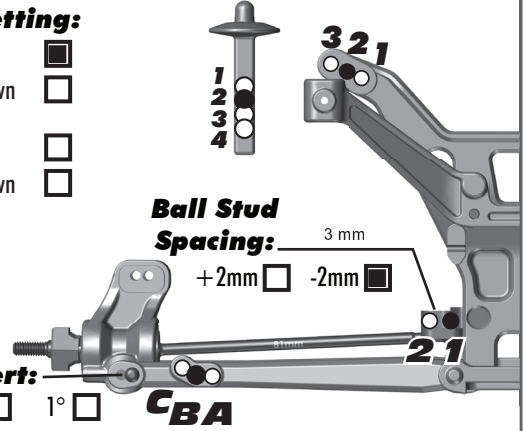
Anti-Squat: 2

Insert (D): In

Rear Hub Link Setting:

A C A Up Down

B B A Up Down



Electronics:

Radio: Airtronics M12S **Servo:** Reedy RT1508

EPA: Throttle: 100 % **Brake:** 100 %

ESC: Reedy Blackbox

ESC Settings:

Motor: Reedy Mach 3

Wind: 7.5 **Timing:** 20

Pinion: 21 **Spur:** 84

Battery: Reedy 5300

Battery Position: 6mm from back

Drivetrain:

Differential:

3 Gear: **4 Gear:**

Ball Diff: **Gear Diff:**

Notes: Tight

Slipper Clutch:

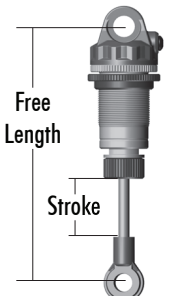
Type: VTS #91175

of Pads: 3

Notes:

Shocks:

	Front	Rear
Piston:	2 x 1.5 V2	2 x 1.6 V2
Oil:	37.5	30
Spring:	Truck Grey	Truck Green
Limiters:	3	1
Cup Offset:	5 mm	5 mm
Stroke:	26 mm	36.75 mm
Free Length:	N/A	N/A
Notes:		



Track Info:

Size: Small Medium Large Extra Large

Surfaces: Dirt Carpet Astroturf Multi Surface

Traction: Low Medium High Very High

Moisture: Dry Damp Wet

Condition: Indoor Outdoor Dusty Hard Packed Bumpy Grooved Smooth Loamy

Temperature: Ambient: 70 **Track:** 70

Notes: Very, very bumpy

Tires:

Tires (F/R): JConcepts Dirtweb / JConcepts Dirtweb

Compound (F/R): Green / Green

Insert (F/R): JConcepts Dirt Tech / JConcepts Dirt Tech

Wheel (F/R): JConcepts Hazard +3mm / JConcepts Hazard +3mm

Notes:

Body & Wing:

Body: JConcepts H2

Wing: N/A

Notes: N/A

Race Results:

Qualify: 1 **Main:** a

Finish: 1 **TQ:**

Best Lap Time:

Vehicle Comments:

Titanium Screw Kit #91600, 56g added behind battery, Battery Taped In; X-Rings #91493; Chrome Shock Shafts #91489 & #91490; Kashima Shock Bodies #91577 & #91579

Total Vehicle Weight: