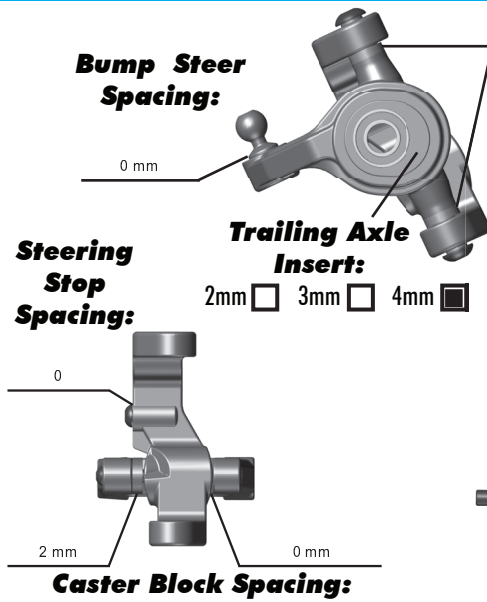


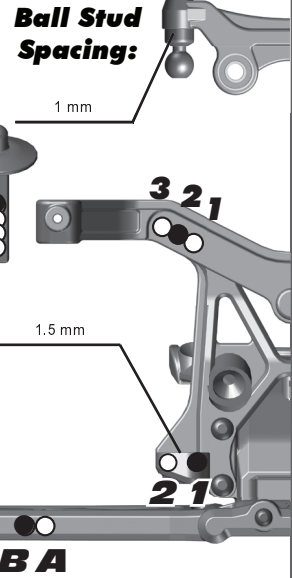
Front Suspensions:

Camber: -2
Total Toe: +1/2
Ride Height: 30 mm
Arm Type: Hard #71009
Tower Type: Standard #71004
Caster Block Insert: 5
Kick-Up Angle: 25 Plastic
Wheel Hex: Clamping 6.0 mm #71034

Notes: Top Plate, Standard #91362
 Chassis Plate, Standard #91512
 Caster Blocks, Standard #91400
 Steering Blocks, Standard #91404



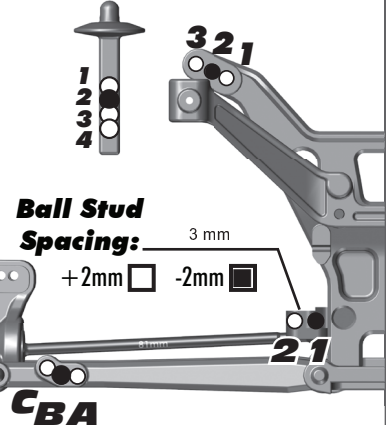
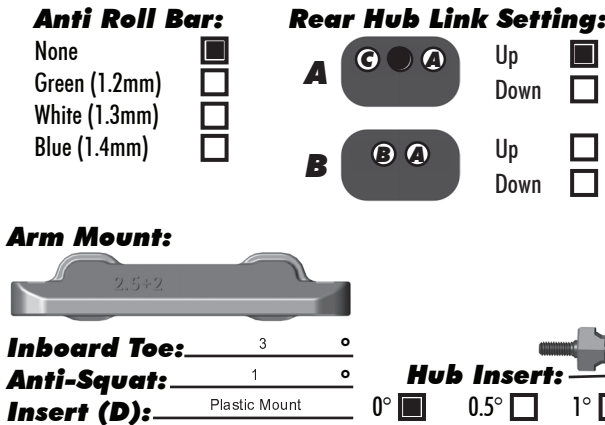
Axle Height:
 Up
 Middle
 Down



Rear Suspension:

Camber: 0
Ride Height: 28 mm
Wheel Hex: Clamping 8.5 mm, #71014
Hub Spacing: Forward Middle Back

Notes: Rear Arms, Standard #71010 (Spaced Back)
 Factory Team Aluminum Hubs #91549 (Back Row Inside +3mm)
 Brass "C" Plate #91523



Electronics:

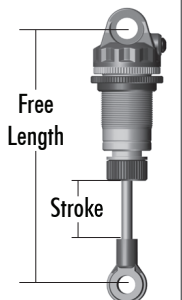
Radio: Airtroincs M12 **Servo:** Sanwa 94671
EPA: Throttle: 100 % **Brake:** 100 %
ESC: Team Orion
ESC Settings: N/A
Motor: Team Orion VST2 Lightweight
Wind: 7.5 **Timing:** 0
Pinion: 19 **Spur:** 84
Battery: Team Orion 4500 Shorty (50g Under Battery)
Battery Position: 6 mm From Rear (Battery Taped In)

Drivetrain:

Differential:
3 Gear: **4 Gear:**
Ball Diff: **Gear Diff:**
Notes: Tight
Slipper Clutch:
Type: Team Associated VTS
of Pads: 3
Notes: B44 Slipper Spring #9739

Shocks:

	Front	Rear
Piston:	2 x 1.5 Flat V2	2 x 1.6 Flat V2
Oil:	35 wt	30 wt
Spring:	AE Truck Gray	AE Truck White
Limiters:	3	1
Cup Offset:	5 mm	5 mm
Stroke:	25.85 mm	36.75 mm
Free Length:	N/A	N/A
Notes:	Kashima Shock Bodies, Chrome V2 Shafts, X-Rings	



Track Info:

Size: Small Medium Large Extra Large
Surfaces: Dirt Carpet Astroturf Multi Surface
Traction: Low Medium High Very High
Moisture: Dry Damp Wet
Condition: Indoor Outdoor Dusty Hard Packed
 Bumpy Grooved Smooth Loamy

Temperature: Ambient: 85F **Track:** 80F
Notes:

Tires:

Tires (F/R): AKA Typos / AKA Typos
Compound (F/R): Medium Long-Wear / Medium Long-Wear
Insert (F/R): AKA Black Wide SC / AKA Black Wide SC
Wheel (F/R): JConcepts Hazard +3mm / JConcepts Hazard +3mm
Notes:

Body & Wing:

Body: JConcepts High Flow
Wing: All Side Fins Added
Notes:

Race Results:

Qualify: 1 **Main:** 1
Finish: 1 **TQ:**
Best Lap Time:

Vehicle Comments:

Factory Team Bearing Set #91553; Plastic Shock Caps #91449; Shock Bushings, Aluminum #91446;
Total Vehicle Weight: 2121g