

**Front Suspensions:**

**Camber:** -2

**Total Toe:** +1/2

**Ride Height:** 25 mm

**Arm Type:** Hard #71009

**Tower Type:** Standard #71004

**Caster Block Insert:** 5

**Kick-Up Angle:** 25 Plastic

**Wheel Hex:** Clamping 6.0 mm #71034

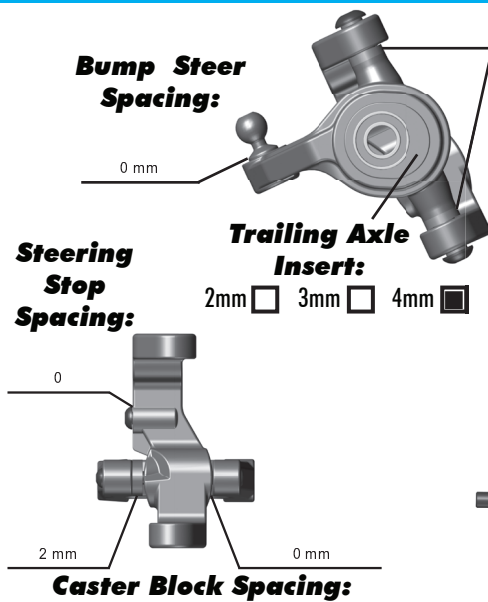
**Notes:** Top Plate, Standard #91362

Chassis Plate, Standard #91512

Caster Blocks, Standard #91400

Steering Blocks, Standard #91404

Steering Set, Plastic #91391

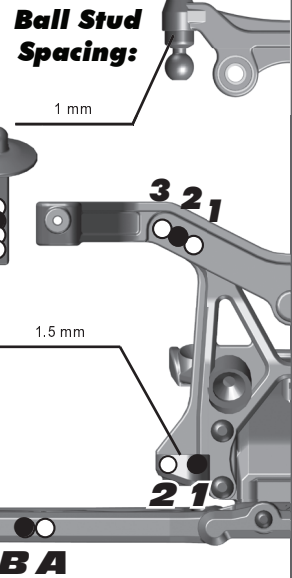


**Axle Height:**

Up

Middle

Down



**Rear Suspension:**

**Camber:** 0

**Ride Height:** 23 mm

**Wheel Hex:** 8.5 mm

**Hub Spacing:** Forward  Middle  Back

**Notes:** Rear Arms, Standard #71010 (Spaced Back)

Factory Team Aluminum Hubs #91549 (Back Row Inside +3mm)

Brass "C" Plate #91523

**Anti Roll Bar:**

None

Green (1.2mm)

White (1.3mm)

Blue (1.4mm)

**Rear Hub Link Setting:**

**A** C A Up  Down

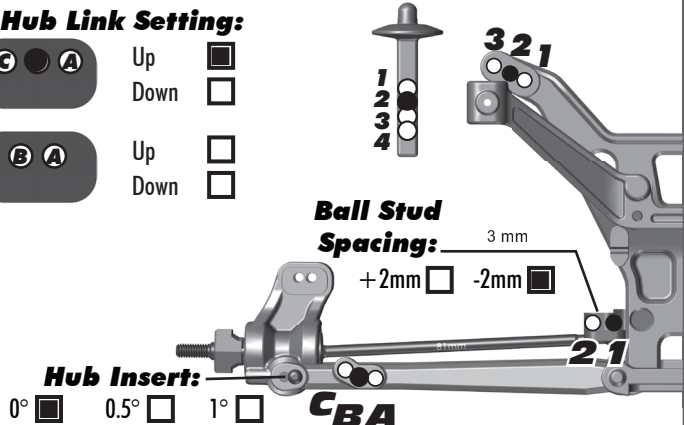
**B** B A Up  Down

**Arm Mount:**

**Inboard Toe:** 3

**Anti-Squat:** 2

**Insert (D):** Plastic Mount



**Electronics:**

**Radio:** Airtronic M12S  **Servo:** Sanwa 94671

**EPA: Throttle:** 100 % **Brake:** 100 %

**ESC:** Team Orion

**ESC Settings:** N/A

**Motor:** Team Orion VST2 Lightweight

**Wind:** 7.5  **Timing:** 0

**Pinion:** 19  **Spur:** 84

**Battery:** Team Orion 4500 Shorty (50g Under Battery)

**Battery Position:** 6 mm From Rear (Battery Taped In)

**Drivetrain:**

**Differential:**

**3 Gear:**  **4 Gear:**

**Ball Diff:**  **Gear Diff:**

**Notes:** Tight

**Slipper Clutch:**

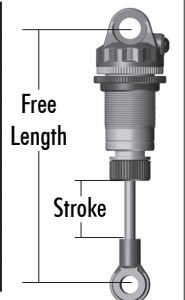
**Type:** Team Associated VTS

**# of Pads:** 3

**Notes:** B44 Slipper Spring #9739

**Shocks:**

	Front	Rear
<b>Piston:</b>	2 x 1.5 Flat V2	2 x 1.6 Flat V2
<b>Oil:</b>	37.5 wt	30 wt
<b>Spring:</b>	AE Truck Gray	X-Gear White
<b>Limiters:</b>	3	1
<b>Cup Offset:</b>	5 mm	5 mm
<b>Stroke:</b>	25.85 mm	36.75 mm
<b>Free Length:</b>	N/A	N/A
<b>Notes:</b>	Kashima Shock Bodies, Chrome V2 Shafts, X-Rings	



**Track Info:**

**Size:** Small  Medium  Large  Extra Large

**Surfaces:** Dirt  Carpet  Astroturf  Multi Surface

**Traction:** Low  Medium  High  Very High

**Moisture:** Dry  Damp  Wet

**Condition:** Indoor  Outdoor  Dusty  Hard Packed

Bumpy  Grooved  Smooth  Loamy

**Temperature: Ambient:** 80F  **Track:** 80F

**Notes:** 100% Clay

**Tires:**

**Tires (F/R):** AKA Slicks / AKA Slicks

**Compound (F/R):** Clay / Clay

**Insert (F/R):** AKA Black / AKA Black

**Wheel (F/R):** JConcepts Hazard +3mm / JConcepts Hazard +3mm

**Notes:**

**Body & Wing:**

**Body:** JConcepts High Flow

**Wing:** All Side Fins

**Notes:** Lightweight

**Race Results:**

**Qualify:** 1  **Main:** 1

**Finish:** 1  **TQ:**

**Best Lap Time:**

**Vehicle Comments:**

Factory Team Bearing Set #91553; Plastic Shock Caps #91449; Shock Bushings, Aluminum #91446;

**Total Vehicle Weight:** 2121g