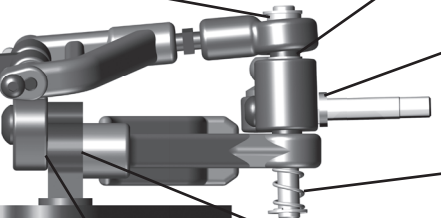


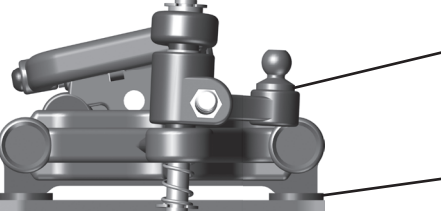
Front Suspension


 Ride Height: _____ Camber: _____
 Droop: _____ Toe: _____

Front Arms

Upper Kingpin Shims	Lower Kingpin Shims
	Axle Shims
	Spring: _____
	Lube: _____

Upper Arm Mount Spacer	Lower Arm Spacer
------------------------	------------------

	Bumpsteer Ball & Shims
	Ride Height Spacing

FR Shim	RR Shim	Front Shim	Rear Shim	
<input type="checkbox"/> 1.80° Thick	<input type="checkbox"/> Thin		<input type="checkbox"/> 10°	
<input type="checkbox"/> 3.25° Thin	<input type="checkbox"/> Thick			<input type="checkbox"/> 5°
<input type="checkbox"/> 6.15° -----	<input type="checkbox"/> Thick, Thin			<input type="checkbox"/> 0°

Front Tires

 Tire: _____
 Diameter: _____
 Additive Type: _____
 Additive Amount: _____
 Additive Time: _____

Rear Tires

 Tire: _____
 Diameter: _____
 Additive Type: _____
 Additive Amount: _____
 Additive Time: _____

LF	RF
----	----

LR	RR
----	----

Body

 Body Type: _____
 Notes: _____

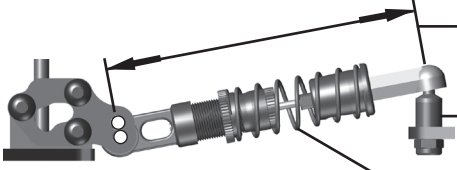
Race and Vehicle Comments

 Qualify: _____ Main: _____ Finish: _____ TQ: _____
 Comments: _____

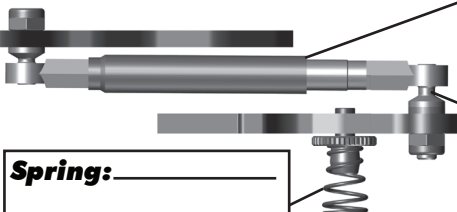
Rear Suspension

 Ride Height: _____ Droop: _____
 Ride Height Adjuster: _____ Axle Width: _____


Center Shock

	Shock Length
	Upper Ball & Shims
	Spring: _____
	Oil: _____

Damper Tubes & Side Springs

	Lube
	Outer Ball & Shims
	Spring: _____
	Preload: _____

Rear Pod Links

	Front Link Shims	Rear Link Shims
--	------------------	-----------------

Motor/Battery

 Motor: _____
 Timing: _____ Gearing: _____ / _____
 Rollout: _____
 Battery: _____
 Battery Position: FWD MID BACK
Radio

 Radio: _____
 Turning Circle: _____
 Steering Expo: _____
 Brake E.P.: _____
 Throttle Expo: _____

Speed Control

 S.C. Type: _____
 S.C. Settings: _____
 S.C. Software: _____
 Notes: _____

Track Info

 Traction: High Medium Low
 Surface: Carpet Asphalt
 Smooth Bumpy
 Other: _____