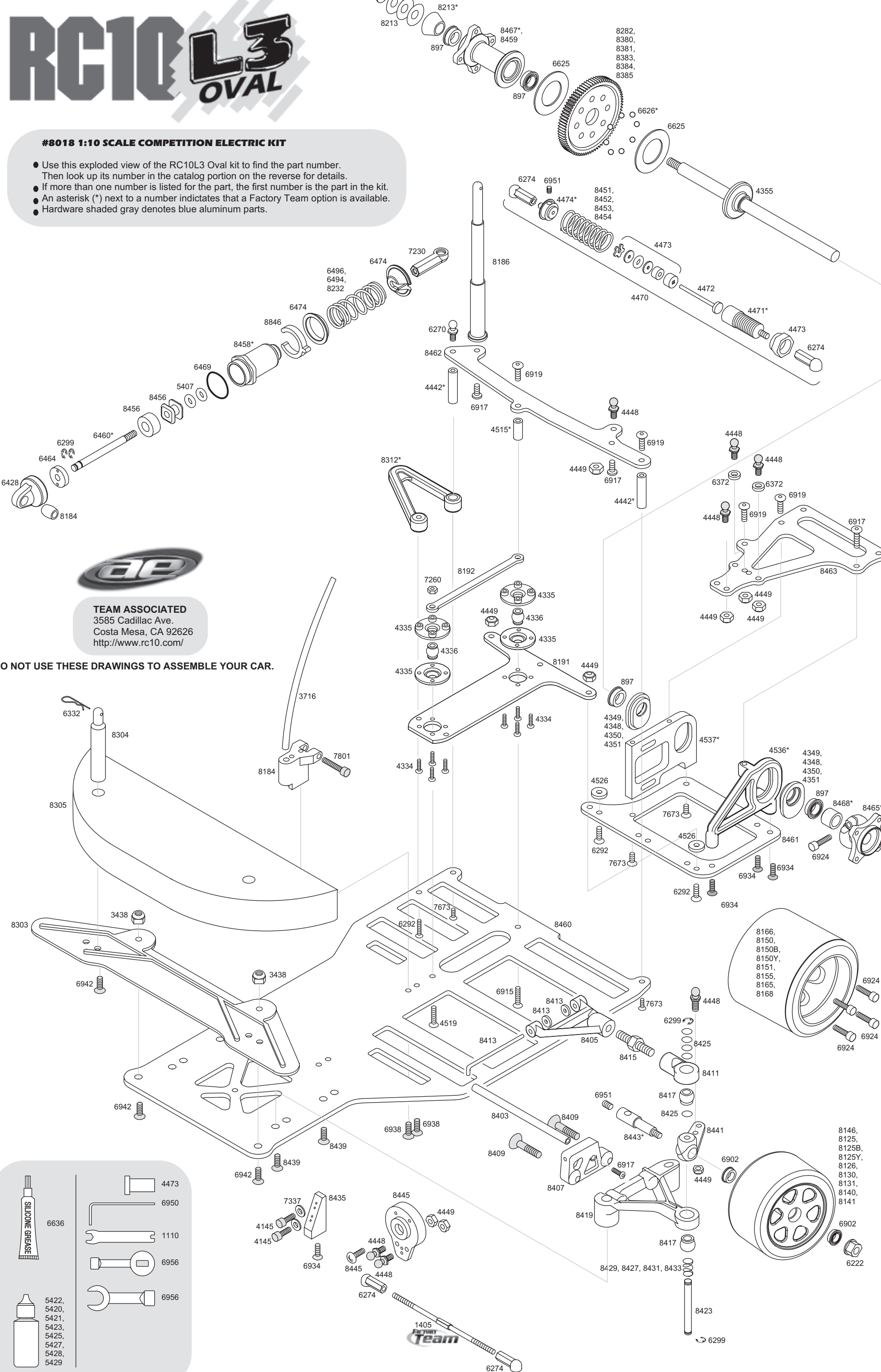


RC10 L3 OVAL

#8018 1:10 SCALE COMPETITION ELECTRIC KIT

- Use this exploded view of the RC10 L3 Oval kit to find the part number. Then look up its number in the catalog portion on the reverse for details.
- If more than one number is listed for the part, the first number is the part in the kit.
- An asterisk (*) next to a number indicates that a Factory Team option is available.
- Hardware shaded gray denotes blue aluminum parts.



TEAM ASSOCIATED
 3585 Cadillac Ave.
 Costa Mesa, CA 92626
<http://www.rc10.com/>

DO NOT USE THESE DRAWINGS TO ASSEMBLE YOUR CAR.

SILICONE GREASE

6636

4473

6950

1110

6956

6956

5422,
5420,
5421,
5423,
5425,
5427,
5428,
5429

