

TEAM ASSOCIATED

26021 COMMERCENTRE DRIVE LAKE FOREST, CA 92630

www.RC10.com

www.TeamAssociated.com

NEW PRODUCT

Press release online here: <http://bit.ly/asc8023>

For Immediate Release: January 30, 2017

NEW! RC10F6 Factory Team Kit



Full-scale Formula racing is considered one of the most elite forms of racing in existence, with technology and looks off the chart. The engineers behind the doors of Area 51 put maximum effort into the design of the RC10F6 FT kit to make sure the same could be said about their scaled-down version. With a full array of setting options, an ultra-low center of mass, and sleek styling, the RC10F6 FT is designed to put you at the front of the grid.

With an increase in entries greater than any class at the highly contested ETS series, open-wheel racing is growing at a rapid rate. All aspects of the RC10F6 FT were considered and optimized to make sure it would stand above its competition. Performance, adjustability, durability, and style were weighed heavily, and the RC10F6 FT kit shows its hand with a complete package of adjustments and options right out of the box. From front to back, with graphite control arms, the fully adjustable front end, the ultra-smooth rear pivot, and wings styled after current full-scale rules, no corner was left untouched. At an affordable price point, the RC10F6 FT comes with everything to assure you will be at the front of the pack. With such a well-balanced platform, it's easy to see that the RC10F6 FT kit is another Champion by Design!



RC10 F6 FACTORY TEAM



Lightweight graphite axle for increased durability and rigidity



Rear wing with integrated 5mm mounting hole for option #29276 XP F6 Red LED Tail Light



New center pivot design for optimized rear pod assembly



Two steering bellcrank options for fine tuning Ackermann and steering rate



FOX® Genuine Kashima Coat center shock for minimal friction and extended wear



2.5mm graphite chassis for optimized flex characteristics and allows for multiple battery configurations



Front and rear wings modeled after 2017 Formula rules included

Prototype shown. Due to ongoing R&D, photos may not match final kit. RC10F6 Factory Team Kit items needed: Reedy motor, battery, ESC, servo, transmitter, receiver, wheels, tires, body, and pinion gear. Assembly and painting required.

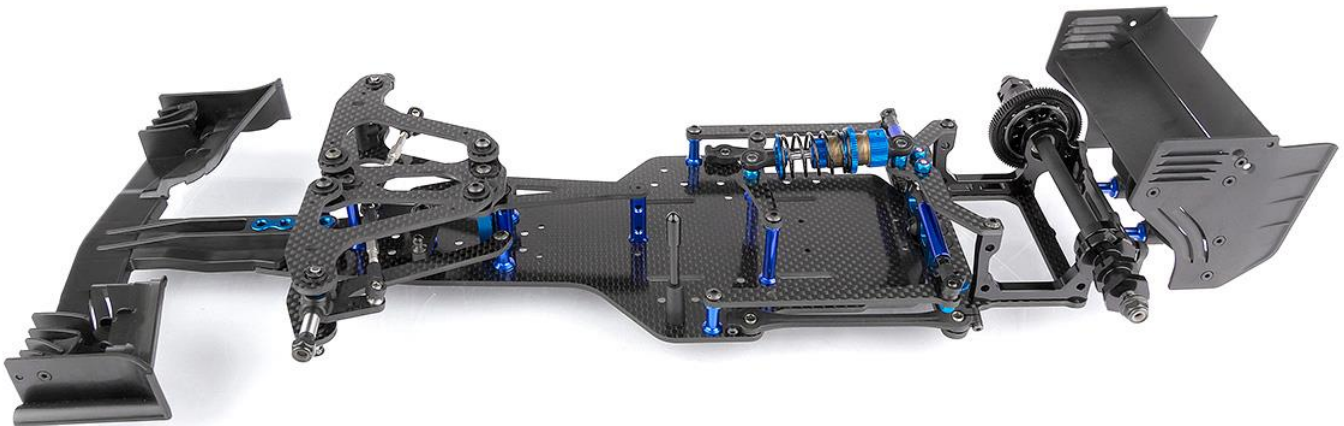
Features of the RC10F6 Factory Team Kit

- 2.5mm graphite chassis for optimized flex characteristics
- Front and rear wings modeled after 2017 Formula rules included
- Lightweight graphite axle for the ultimate in durability and rigidity
- FOX® Genuine Kashima Coat center shock for minimal friction and extended wear
- Chassis design allows for multiple battery configurations
- New center pivot design for optimized rear pod assembly
- Front and rear wings modeled after 2017 Formula rules included
- Lightweight graphite axle for increased durability and rigidity
- Differential thrust bearing assembly for smooth action and extended life between rebuilds
- Rear axle accepts all standard spur gears without adapter
- Two steering bellcrank options for fine tuning Ackermann and steering rate
- Servo mounts can be switched from "fixed" to "floating" to allow more flex in the front of the chassis
- Integrated droop posts for adjusting droop without disassembly

Vehicle Specifications

Power Source	Electric
Terrain	On-Road
Body Style	Formula
Scale Size	1:10 Scale
Assembly Level	Kit*
Length	432.5mm / 17in
Width (without body)	Adjustable: fits up to 190mm racing class
Wheelbase	Adjustable: 265-266mm/10.4-10.5in
Weight (chassis only)	345g / 0.76lbs
Drive	2WD direct drive

WATCH THE VIDEO! <http://bit.ly/2kknKB5>



Prototype shown. Due to ongoing R&D, photos may not match final kit.

**RC10F6 Factory Team Kit items needed: Reedy motor, battery, ESC, servo, transmitter, receiver, wheels, tires, body, and pinion gear. Assembly and painting required.*

UPC: 784695 080232	#8023	RC10F6 Factory Team Kit	MAP: \$339.99	MSRP: \$499.99	Available: March 2017
-----------------------	-------	-------------------------	------------------	-------------------	--------------------------

Download photos at: <https://www.teamassociated.com/productshots/vehicles/RC10F6/>

