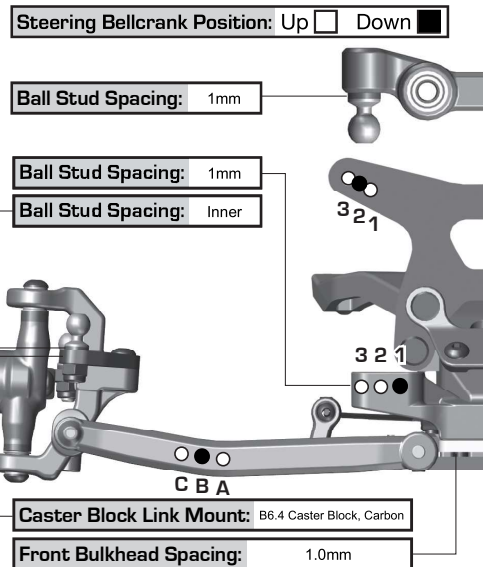
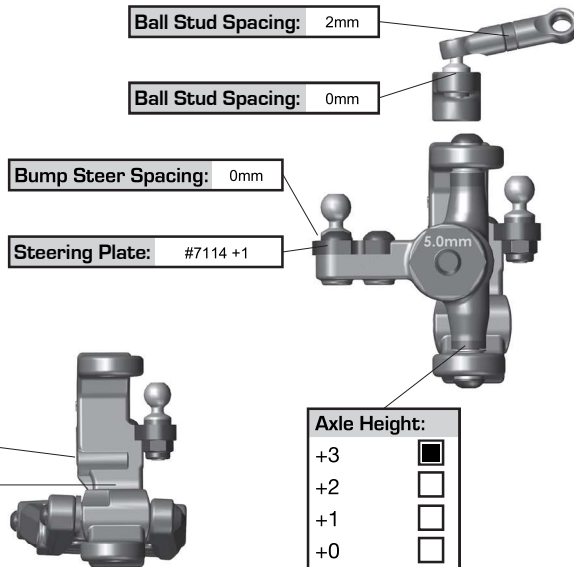


Front Suspension:

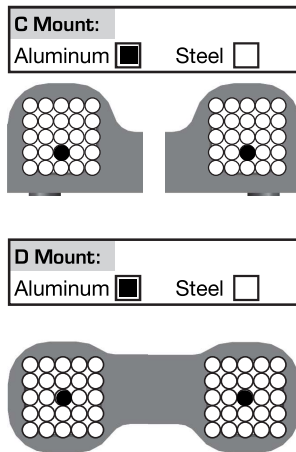
Reset Forms

Ride Height:	15mm
Camber:	-1.5°
Toe:	+0.5°
Anti-Roll Bar:	None
Arm Type:	#92411 FT Carbon
Tower Type:	#92430 Kit
Wheel Hex:	#91607 FT Clamping, 5.0mm
Steering Block KPI:	#91985 B6.4-1 Scrub, Carbon
Caster Block Insert:	0 <input type="checkbox"/> +2.5 <input type="checkbox"/> +5 <input checked="" type="checkbox"/>
Bulkhead Type:	#92436 FT 0°, Aluminum
Kick-Up Angle:	-2.5 <input type="checkbox"/> 0 <input checked="" type="checkbox"/> +2.5 <input type="checkbox"/>
Steering Stop Spacing:	None
Caster Block Spacing:	Fwd <input checked="" type="checkbox"/> Back <input type="checkbox"/>
Notes:	#71181 FT Hex Adapter Front Axles, Titanium #91983 FT Steering Bellcranks, Aluminum

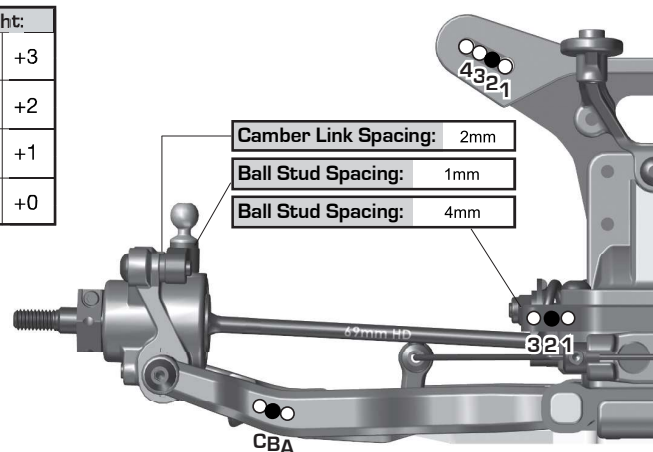


Rear Suspension:

Ride Height:	15mm
Camber:	-1.5°
Anti-Roll Bar:	None
Arm Type:	#92409 FT Carbon
Tower Type:	#92431 Rear Shock Tower, Kit
Arm Spacing:	Fwd <input type="checkbox"/> Mid <input type="checkbox"/> Back <input checked="" type="checkbox"/>
Wheel Hex:	#91610 FT Clamping, 7.0mm
Hub Type:	Std <input type="checkbox"/> HRC <input checked="" type="checkbox"/> #92412 Standard
Hub Spacing:	Fwd <input type="checkbox"/> Mid <input checked="" type="checkbox"/> Back <input type="checkbox"/>
Drive Shaft:	CVA's <input checked="" type="checkbox"/> Universals <input type="checkbox"/>
Notes:	



Axle Height:	
▼0 3▲	+3
▼1 2▲	+2
▲1 2▼	+1
▲0 3▼	+0



Electronics:

Radio: Futaba 10TPX	Servo: #27115 Reedy RT2007A
EPA: Throttle: 100 %	Brake: 90 %
ESC: #27017 Reedy Blackbox 610R	
ESC Settings: See Setup Sheet	
Motor / Wind: #27490 Reedy Sonic M4 7.5T	Timing: 20°
Pinion: #1339 FT 22T	Spur: #92295 Octalock 78T
Battery Mount: Std <input checked="" type="checkbox"/> Offset <input type="checkbox"/>	
Back 1 <input type="checkbox"/> 2 <input type="checkbox"/> 3 <input checked="" type="checkbox"/> 4 <input type="checkbox"/> 5 <input type="checkbox"/> Forward	
Battery: See Notes	Weight: #27355 Reedy Battery Weight, 20g
Notes: #27604 Reedy Zapper SG6 4800 LP	

Drivetrain:

Differential: Ball Diff: <input checked="" type="checkbox"/>	
Height: 2	Gear Diff: <input type="checkbox"/>
Diff Setting: #91918 FT Diff Decoder = 230	
Notes:	

Slipper Clutch:

Type: Kit Plates & Spring
of Pads: #92288 Octalock 19mm White x 2
Setting: Front Tires Lift 5mm
Notes:

Shocks:

	Front	Rear
Piston:	3 x 1.6mm	1 x 1.6 + 2 x 1.7mm
Thickness:	#91932 2.5mm	#91933 2.5mm
Fluid:	#5471 FT 27.5wt	#5471 FT 27.5wt
Spring:	#91941 13mm Gray	#91948 13mm White
Limiters:	Int: 0mm Ext: 0mm	Int: 0mm Ext: 0mm
Stroke:	23.0mm	28mm
Eyelet:	+2mm	+0mm
Cup Offset:	0 <input type="checkbox"/> +5 <input checked="" type="checkbox"/> +9 <input type="checkbox"/>	0 <input type="checkbox"/> +5 <input type="checkbox"/> +9 <input type="checkbox"/>
Kashima Bodies: <input checked="" type="checkbox"/>	Chrome Shafts: <input checked="" type="checkbox"/>	Machined Spacers: <input checked="" type="checkbox"/>
Notes: #91986 FT Fox Shock Upgrade Kit		

Track Info:

Size: 90' x 120'
Surface: Glued Clay
Traction: High
Moisture: Humidity High
Condition: Very high traction in the morning and fades throughout the day
Temperature: 65F
Notes:

Tires:

Front Tires: JConcept 2wd Smoothie2
Front Compound: Silver
Front Insert: JConcepts Dirt Tech
Rear Tires: JConcepts Smoothie2
Rear Compound: Silver
Rear Insert: JConcepts Dirt Tech
Wheel (F/R): #9690 & #9695 Team Associated 12mm Hex
Notes:

Body, Weight:

Body: #92422 Team Associated B7
Front Wing: JConcepts Upper Front Wing
Rear Wing: #92424 Team Associated B7 Kit
Wing Angle: 0° <input type="checkbox"/> 3° <input type="checkbox"/> 6° <input checked="" type="checkbox"/>
Chassis Length: #92490 RC10B7 -4mm
Servo Weights: #92446 FT Carbon
Electronic Weights: #91975 FT Carbon
Total Vehicle Weight: 1533g

Vehicle Comments:

Notes: #92360 FT Titanium Turnbuckle Set
#92480 FT One-Piece Servo Mount, Black
#92475 FT Motor Mount, Blue
Kit Transmission Case, Side Rails, Top Plate & Front Camber Link
Schelle Titanium Screws
Steering Curve = -15; Steering Speed = 90/90
Response = Steering 5 / Throttle 5