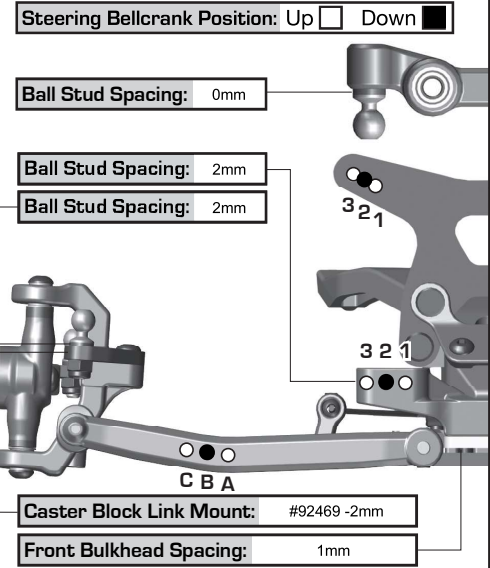
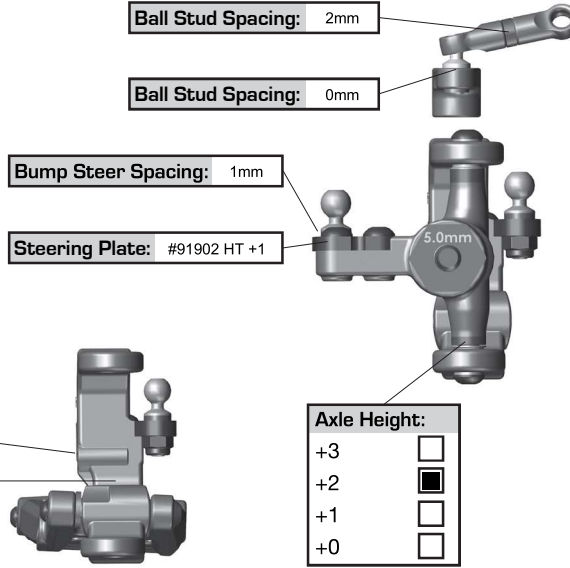


Front Suspension:

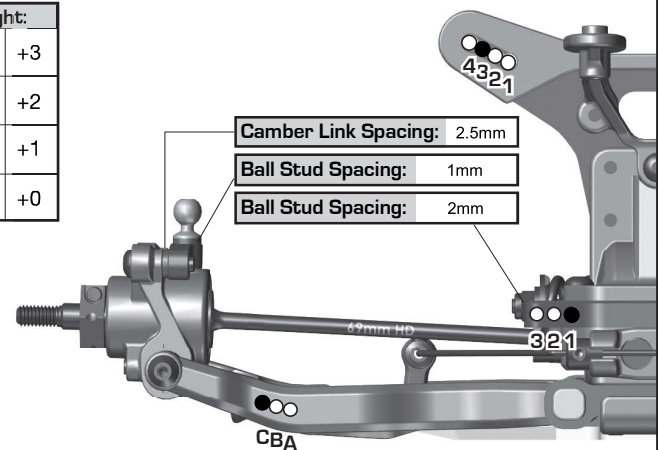
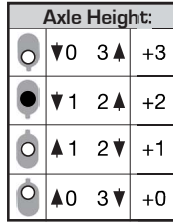
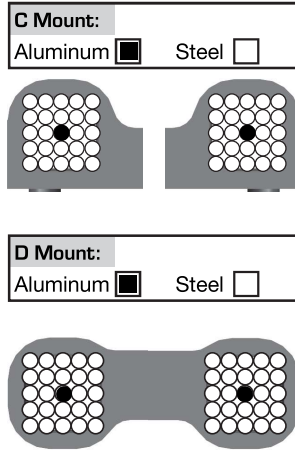
Reset Forms

Ride Height:	17mm
Camber:	-1°
Toe:	
Anti-Roll Bar:	None
Arm Type:	#92411 FT Carbon
Tower Type:	#92430 Kit
Wheel Hex:	#91609 FT Clamping, 5.0mm
Steering Block KPI:	#92414 Standard - 4 Trail / KPI 1
Caster Block Insert:	0 <input type="checkbox"/> +2.5 <input type="checkbox"/> +5 <input checked="" type="checkbox"/>
Bulkhead Type:	#92437 FT +/- 2.5°, Aluminum
Kick-Up Angle:	-2.5 <input type="checkbox"/> 0 <input type="checkbox"/> +2.5 <input checked="" type="checkbox"/>
Steering Stop Spacing:	1.5mm
Caster Block Spacing:	Fwd <input checked="" type="checkbox"/> Back <input type="checkbox"/>
Notes:	#71181 FT Hex Adapter Front Axles, Titanium #91983 FT Steering Bellcranks, Aluminum



Rear Suspension:

Ride Height:	17mm
Camber:	-1°
Anti-Roll Bar:	None
Arm Type:	#92409 FT Carbon
Tower Type:	#92431 Kit
Arm Spacing:	Fwd <input type="checkbox"/> Mid <input checked="" type="checkbox"/> Back <input type="checkbox"/>
Wheel Hex:	#91609 FT Clamping, 5.0mm
Hub Type:	Std <input checked="" type="checkbox"/> HRC <input type="checkbox"/> #92412 Standard
Hub Spacing:	Fwd <input type="checkbox"/> Mid <input checked="" type="checkbox"/> Back <input type="checkbox"/>
Drive Shaft:	CVA's <input checked="" type="checkbox"/> Universals <input type="checkbox"/>
Notes:	#92185 FT Carbon Hub Link Shims



Electronics:

Radio:	Futaba 10TPX	Servo:	#27119 Reedy RT1705A
EPA: Throttle:	92 %	Brake:	86 %
ESC:	#27017 Reedy Blackbox 610R		
ESC Settings:	See Setup Sheet		
Motor / Wind:	#27490 Reedy Sonic M4 7.5T DE	Timing:	20°
Pinion:	#1339 FT 22T	Spur:	#92295 Octalock 78T
Battery Mount:	Std <input checked="" type="checkbox"/> Offset <input type="checkbox"/>		
Battery:	#27396 Reedy Zapper 4800	Weight:	None
Notes:	#1370 FT Servo Horn, 25T (2mm Ballstud Spacing); Steering Speed = 89		

Drivetrain:

Differential:	Ball Diff: <input checked="" type="checkbox"/>		
Height:	2	Gear Diff:	<input type="checkbox"/>
Diff Setting:	#91918 FT Diff Decoder = 205		
Notes:			
Slipper Clutch:			
Type:	#92450 & 91803 Kit		
# of Pads:	#92286 FT Octalock 19mm LCF x 2		
Setting:	Front Tires Lift 1/2"		
Notes:			

Shocks:

	Front	Rear
Piston:	1 x 1.7 + 1 x 1.8	2 x 2.0 + 1 x 1.0
Thickness:	#91933 2.5mm	#92429 2.5mm
Fluid:	#5471 FT 27.5wt	#5470 FT 25wt
Spring:	1Up Yellow	#91948 13mm White
Limiters:	Int: 1mm Ext: 0mm	Int: 0mm Ext: 2mm
Stroke:	22.0mm	30.0mm
Eyelet:	+2mm	+4mm
Cup Offset:	0 <input type="checkbox"/> +5 <input checked="" type="checkbox"/> +9 <input type="checkbox"/>	0 <input type="checkbox"/> +5 <input checked="" type="checkbox"/> +9 <input type="checkbox"/>
Kashima Bodies:	<input checked="" type="checkbox"/>	Chrome Shafts: <input checked="" type="checkbox"/> Machined Spacers: <input checked="" type="checkbox"/>
Notes:	#91986 FT Fox Shock Upgrade	



Track Info:

Size:	Medium
Surface:	Natural Dirt
Traction:	High
Moisture:	None
Condition:	Grooves Up w/ Marbeling
Temperature:	80F
Notes:	

Tires:

Front Tires:	Pro-Line 4wd Bald Eagles (Sidewalls Glued)
Front Compound:	S3
Front Insert:	JConcepts RM2
Rear Tires:	Pro-Line Bald Eagles
Rear Compound:	S3
Rear Insert:	JConcepts RM2
Wheel (F/R):	#9690 & #9695 Team Associated 12mm
Notes:	Tires Best After 5 Runs

Body, Weight:

Body:	#92422 RC10B7
Front Wing:	None
Rear Wing:	JConcepts 7" Aero
Wing Angle:	0° <input type="checkbox"/> 3° <input type="checkbox"/> 6° <input checked="" type="checkbox"/>
Chassis Length:	#92400 RC10B7
Servo Weights:	None
Electronic Weights:	#91976 FT Aluminum
Total Vehicle Weight:	1525g

Vehicle Comments:

Notes:	#92360 FT Titanium Turnbuckle Set #91750, 91751, 91752 & 91753 FT Titanium Ballstuds Schelle Titanium Screws
--------	--