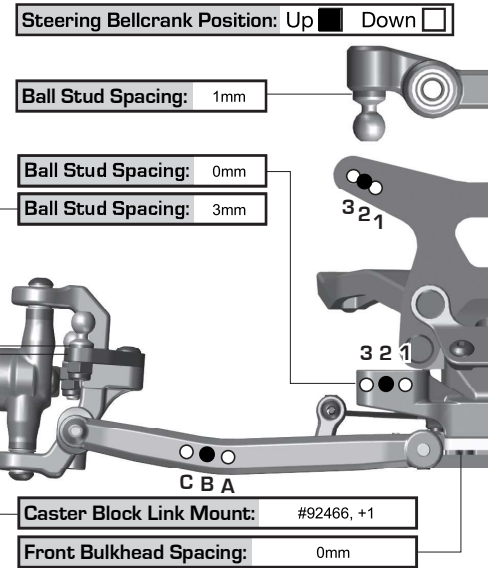
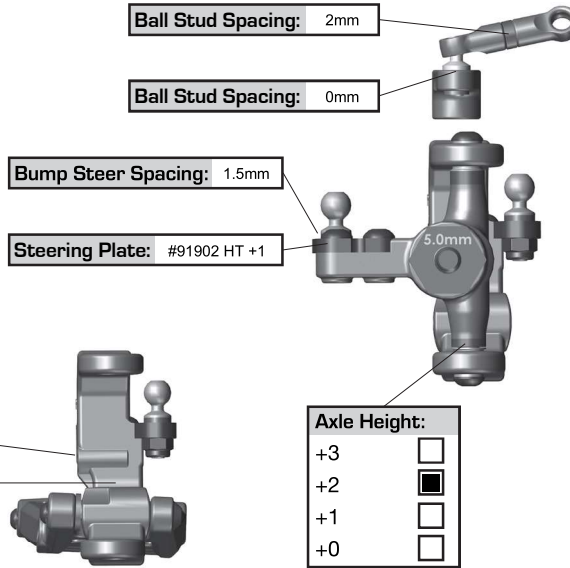


Front Suspension:

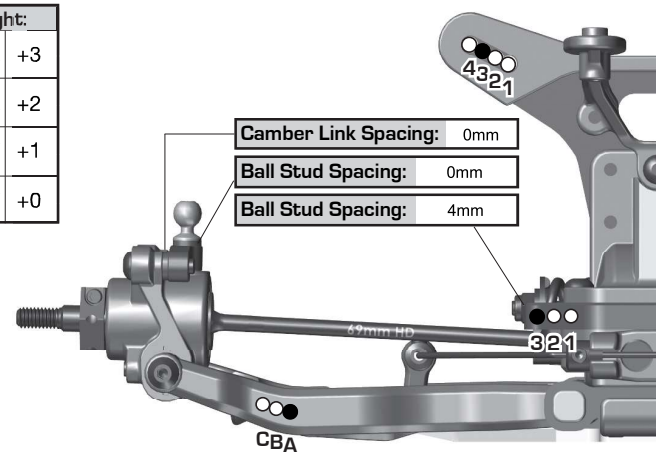
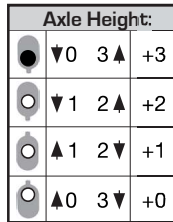
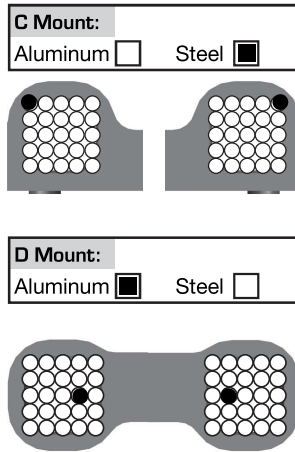
Reset Forms

Ride Height: 14mm
 Camber: -2°
 Toe: -1/2" (Tierod Gap = 27.3mm)
 Anti-Roll Bar: 1.0mm
 Arm Type: #92411 FT Carbon
 Tower Type: #92430 Kit
 Wheel Hex: #71034 FT Clamping, 6.0mm
 Steering Block KPI: #92493 FT Adjustable - 4 Trail / 1 mm KPI
 Caster Block Insert: 0 +2.5 +5
 Bulkhead Type: #92437 FT +2.5/-2.5", Aluminum
 Kick-Up Angle: -2.5 0 +2.5
 Steering Stop Spacing: 1.2mm (4 Turns Out)
 Caster Block Spacing: Fwd Back
 Notes: #71181 FT Hex Adapter Front Axles, Titanium
 #91983 FT Steering Bellcranks, Aluminum



Rear Suspension:

Ride Height: 14mm
 Camber: -2°
 Anti-Roll Bar: 1.2mm
 Arm Type: #92409 FT Carbon
 Tower Type: #92431 Kit
 Arm Spacing: Fwd Mid Back
 Wheel Hex: #71034 FT Clamping, 6.0mm
 Hub Type: Std HRC #92471 FT Aluminum
 Hub Spacing: Fwd Mid Back
 Drive Shaft: CVA's Universals
 Notes: Hub Tower Bump Out
 #92434 FT Steel Arm Mount, C (26g)



Electronics:

Radio: Futaba 10TPX Servo: #27115 Reedy RT2007A
 EPA: Throttle: 100 % Brake: 88 %
 ESC: #27017 Reedy Blackbox 610R
 ESC Settings: See Setup Sheet
 Motor / Wind: #27446 Reedy Sonic M4 5.5T Timing: 2°
 Pinion: #1339 FT 22T Spur: #92295 Octalock 78T
 Battery Mount: Std Offset
 Back 1 2 3 4 5 Forward
 Battery: #27396 Reedy Zapper 4800 Weight: None
 Notes: #1363 FT 18.5mm Servo Horn, 25T (5mm Spacing); #27449 Reedy 13.0mm Rotor

Drivetrain:

Differential: Ball Diff:
 Height: 2 Gear Diff:
 Diff Setting: #5448 FT 80k
 #92306 FT LTC Metal, 4-Gear
 Notes:

Slipper Clutch:

Type: #92450 & 91803 Kit
 # of Pads: #92285 FT Octalock 11mm LCF x 2
 Setting: Front Tires Almost Lift
 Notes:

Shocks:

	Front	Rear
Piston:	3 x 1.5	3 x 1.6
Thickness:	#71172 2.0mm	#71173 2.0mm
Fluid:	#5478 FT 45wt	#5476 FT 40wt
Spring:	#91944 13mm Red	#91840 12mm V2 Blue
Limiters:	Int: 1mm Ext: 3mm	Int: 0mm Ext: 3mm
Stroke:	22.0mm	28mm
Eyelet:	+2mm	2mm
Cup Offset:	0 <input type="checkbox"/> +5 <input checked="" type="checkbox"/> +9 <input type="checkbox"/>	0 <input type="checkbox"/> +5 <input type="checkbox"/> +9 <input type="checkbox"/>
Kashima Bodies:	<input checked="" type="checkbox"/>	Chrome Shafts: <input checked="" type="checkbox"/> Machined Spacers: <input checked="" type="checkbox"/>
Notes:	RM2 Clip On Up Travel Limiters	

Track Info:

Size: Medium
 Surface: CRC Black Carpet
 Traction: High
 Moisture: None
 Condition:
 Temperature: 70F
 Notes:

Tires:

Front Tires: Pro-Line Harpoon
 Front Compound: CR4
 Front Insert: None
 Rear Tires: Pro-Line Prism (Soft Sidewall Out)
 Rear Compound: CR4
 Rear Insert: Pro-Line Gray (Trimmed To Tire Width)
 Wheel (F/R): Pro-Line Velocity
 Notes: Tires Best After 2 Runs

Body, Weight:

Body: JConcepts S2 (Lightweight)
 Front Wing: JConcepts Upper Front Wing
 Rear Wing: #92424 B7 (Wing Mount Nubs Removed)
 Wing Angle: 0° 3° 6°
 Chassis Length: #92490 RC10B7 -4mm
 Servo Weights: None
 Electronic Weights: #91976 FT Aluminum
 Total Vehicle Weight: 1499g

Vehicle Comments:

Notes: #92360 FT Titanium Turnbuckle Set
 #91750, 91751, 91752 & 91753 FT Titanium Ballstuds
 #92406 FT Gearbox, Carbon
 Schelle Titanium Screws
 Steering Curve = -20
 Steering Speed = 90/90
 Response = Steering 5 / Throttle 5