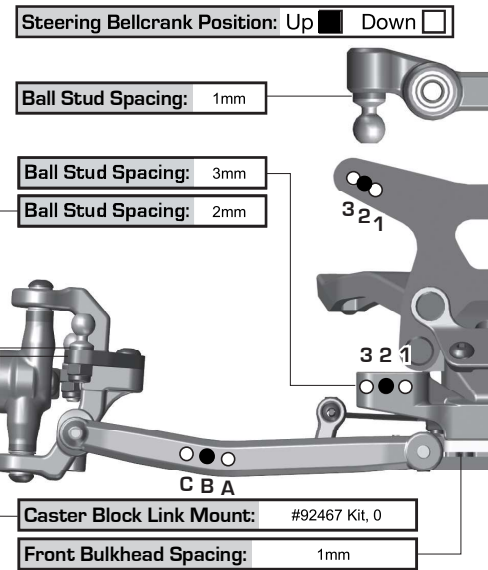
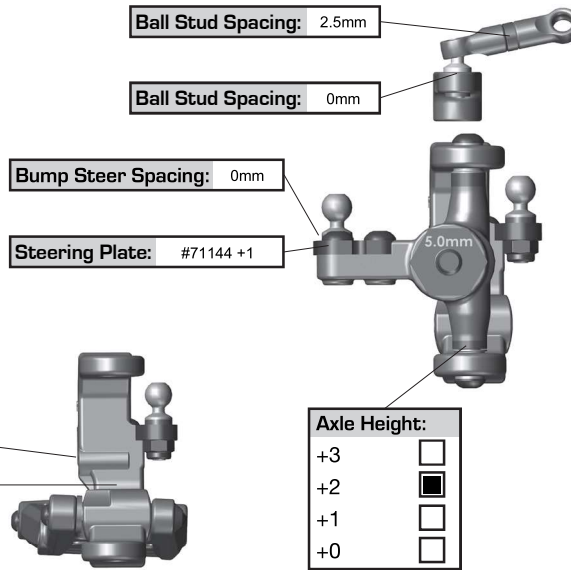


Front Suspension:

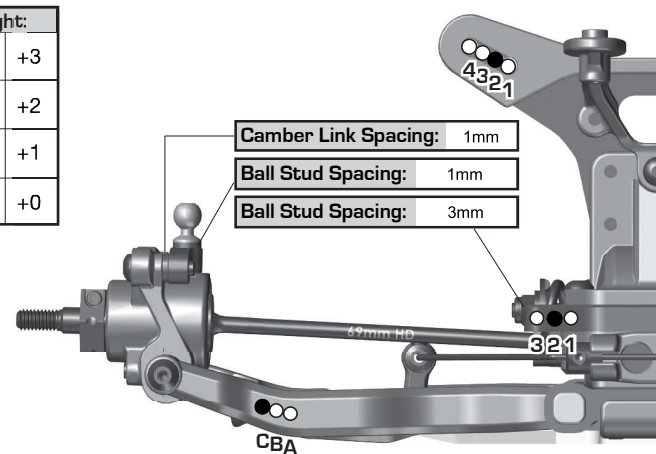
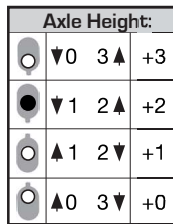
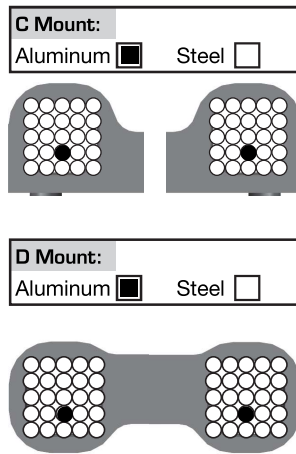
Reset Forms

Ride Height: 17mm
 Camber: -1°
 Toe: 0° (Tierod Gap = 27.5mm)
 Anti-Roll Bar: None
 Arm Type: #92410 Kit
 Tower Type: #92430 Kit
 Wheel Hex: #91609 FT Clamping, 5.0mm
 Steering Block KPI: #92414 Kit - 4 Trail / KPI 2
 Caster Block Insert: 0 -2.5 -5
 Bulkhead Type: #92437 FT +/- 2.5°, Aluminum
 Kick-Up Angle: -2.5 0 +2.5
 Steering Stop Spacing: 1mm
 Caster Block Spacing: Fwd Back
 Notes: #71181 FT Hex Adapter Front Axles, Titanium
 #91983 FT Steering Bellcranks, Aluminum



Rear Suspension:

Ride Height: 17mm
 Camber: -1°
 Anti-Roll Bar: None
 Arm Type: #92408 Kit
 Tower Type: #92431 Kit
 Arm Spacing: Fwd Mid Back
 Wheel Hex: #91609 FT Clamping, 5.0mm
 Hub Type: Std HRC #92412 Kit
 Hub Spacing: Fwd Mid Back
 Drive Shaft: CVA's Universals
 Notes: #92185 FT Carbon Hub Link Shims



Electronics:

Radio: Futaba T10PX Servo: #27119 Reedy RT1705A
 EPA: Throttle: 100 % Brake: 82 %
 ESC: #27017 Reedy Blackbox 610R
 ESC Settings: See Setup Sheet
 Motor / Wind: #27490 Reedy Sonic M4 7.5T DE Timing: 20°
 Pinion: #1339 FT 21T Spur: #92294 Octalock 75T
 Battery Mount: Std Offset
 Battery: #27382 Reedy Zapper 6400 Weight: None
 Notes: #1370 FT Servo Horn, 25T (2mm Ballstud Spacing)

Drivetrain:

Differential: Ball Diff:
 Height: 2 Gear Diff:
 Diff Setting: #91918 FT Diff Decoder = 205
 Notes:
 Slipper Clutch:
 Type: #92450 & 91803 Kit
 # of Pads: #92286 FT Octalock LCF x 2
 Setting: Front Tires Lift 1°
 Notes:

Shocks:

	Front	Rear
Piston:	2 x 1.6	3 x 1.7
Thickness:	#91936 2.0mm	#71174 2.0mm
Fluid:	#5474 FT 35wt	#5473 FT 32.5wt
Spring:	#91942 13mm Blue	#91948 13mm White
Limiters:	Int: 2mm Ext: 0	Int: 2mm Ext: 0
Stroke:	22.0mm	27.5mm
Eyelet:	+2mm	+4mm
Cup Offset:	0 <input type="checkbox"/> +5 <input checked="" type="checkbox"/> +9 <input type="checkbox"/>	0 <input type="checkbox"/> +5 <input type="checkbox"/> +9 <input type="checkbox"/>
Kashima Bodies:	<input checked="" type="checkbox"/>	Chrome Shafts: <input checked="" type="checkbox"/> Machined Spacers: <input checked="" type="checkbox"/>
Notes:		

Track Info:

Size: Very Large
 Surface: Glued Dirt
 Traction: Very High
 Moisture: None
 Condition: Rubber Groove
 Temperature: 60F
 Notes: Grip Increases When Misted

Tires:

Front Tires: JConcepts Smoothie2 (Sidewalls Glued)
 Front Compound: Silver
 Front Insert: JConcepts Dirt Tech (Glued To Wheel)
 Rear Tires: JConcepts Smoothie2
 Rear Compound: Silver
 Rear Insert: JConcepts Dirt Tech
 Wheel (F/R): #9690 & #9695 Team Associated 12mm
 Notes: Clean w/ Sprayway; TDK Edge; Tires Best After 3 Min

Body, Weight:

Body: #92423 FT Lightweight RC10B7
 Front Wing: #92425 Team Associated RC10B7
 Rear Wing: #92424 Team Associated RC10B7 7"
 Wing Angle: 0° 3° 6°
 Chassis Length: #92400 RC10B7
 Servo Weights: None
 Electronic Weights: #91975 FT Carbon Fiber
 Total Vehicle Weight: 1562g

Vehicle Comments:

Notes: #92360 FT Titanium Turnbuckle Set
 #91750, 91751, 91752 & 91753 FT Titanium Ballstuds
 Schelle Titanium Screws