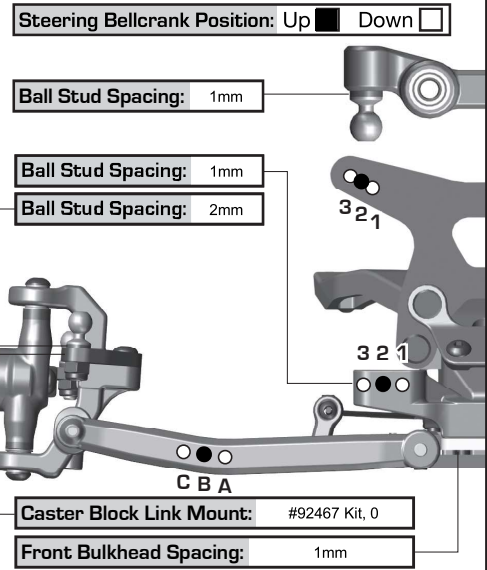
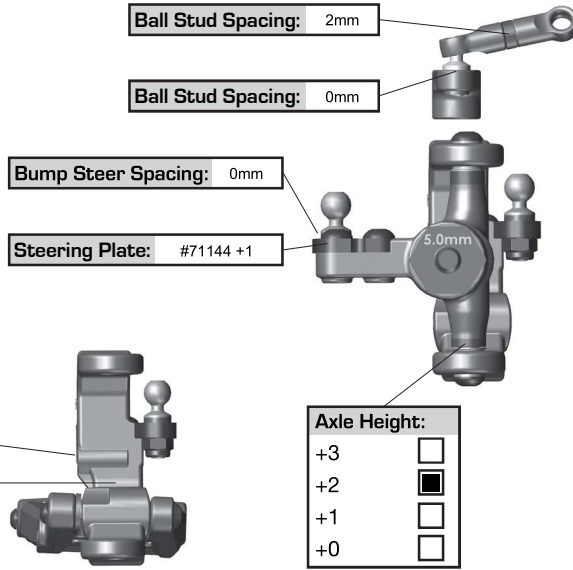


Front Suspension:

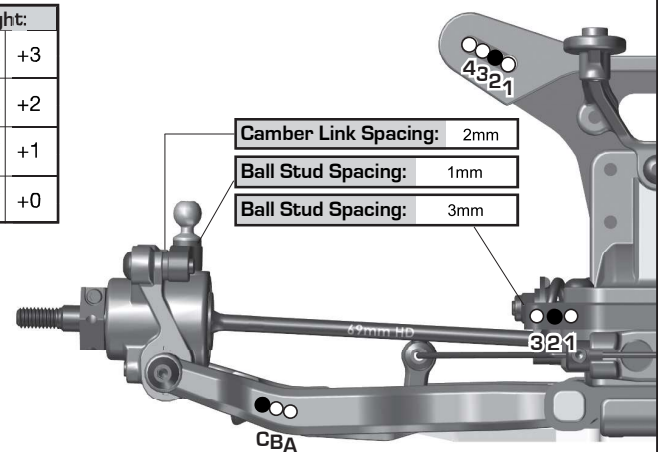
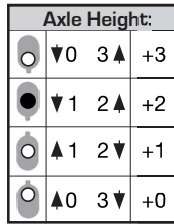
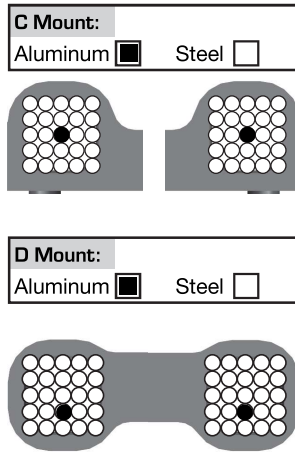
Reset Forms

Ride Height:	16mm
Camber:	-1°
Toe:	0° (Tierod Gap = 28.3mm)
Anti-Roll Bar:	None
Arm Type:	#92411 FT Carbon
Tower Type:	#92430 Kit
Wheel Hex:	#91609 FT Clamping, 5.0mm
Steering Block KPI:	#92414 Kit - 4 Trail / KPI 3
Caster Block Insert:	0 <input type="checkbox"/> +2.5 <input checked="" type="checkbox"/> +5 <input type="checkbox"/>
Bulkhead Type:	#92436 FT 0°, Aluminum
Kick-Up Angle:	-2.5 <input type="checkbox"/> 0 <input checked="" type="checkbox"/> +2.5 <input type="checkbox"/>
Steering Stop Spacing:	1mm
Caster Block Spacing:	Fwd <input type="checkbox"/> Back <input type="checkbox"/>
Notes:	#71181 FT Hex Adapter Front Axles, Titanium #91983 FT Steering Bellcranks, Aluminum



Rear Suspension:

Ride Height:	16mm
Camber:	-2°
Anti-Roll Bar:	None
Arm Type:	#92408 Kit
Tower Type:	#92431 Kit
Arm Spacing:	Fwd <input type="checkbox"/> Mid <input checked="" type="checkbox"/> Back <input type="checkbox"/>
Wheel Hex:	#91609 FT Clamping, 5.0mm
Hub Type:	Std <input checked="" type="checkbox"/> HRC <input type="checkbox"/> #92413 FT Carbon
Hub Spacing:	Fwd <input type="checkbox"/> Mid <input checked="" type="checkbox"/> Back <input type="checkbox"/>
Drive Shaft:	CVA's <input checked="" type="checkbox"/> Universals <input type="checkbox"/>
Notes:	#92185 FT Carbon Hub Link Shims



Electronics:

Radio:	Futaba 10TPX	Servo:	#27119 Reedy RT1705A
EPA: Throttle:	100 %	Brake:	92 %
ESC:	#27017 Reedy Blackbox 610R		
ESC Settings:	See Setup Sheet		
Motor / Wind:	#27490 Reedy Sonic M4 7.5T DE	Timing:	20°
Pinion:	#1339 FT 21T	Spur:	#92294 Octalock 75T
Battery Mount:	Std <input type="checkbox"/> Offset <input checked="" type="checkbox"/> Back		
Battery:	#27382 Reedy Zapper 6400	Weight:	None
Notes:	#1370 FT Servo Horn, 25T (2mm Ballstud Spacing)		

Drivetrain:

Differential:	Ball Diff: <input checked="" type="checkbox"/>		
Height:	2	Gear Diff:	<input type="checkbox"/>
Diff Setting:	#91918 FT Diff Decoder = 205		
Notes:	#6576 FT Precision Diff Drive Rings		

Slipper Clutch:

Type:	#92450 & 91803 Kit
# of Pads:	#92286 FT Octalock LCF x 2
Setting:	Front Tires Lift 1"
Notes:	

Shocks:

	Front	Rear
Piston:	2 x 1.8	2 x 2.0
Thickness:	#91934 2.5mm	#92429 2.5mm
Fluid:	#5474 FT 35wt	#5473 FT 32.5wt
Spring:	#91941 13mm Gray	#91948 13mm White
Limiters:	Int: 1mm Ext: 0mm	Int: 1mm Ext: 0mm
Stroke:	21.5mm	27.0mm
Eyelet:	+2mm	+4mm
Cup Offset:	0 <input type="checkbox"/> +5 <input checked="" type="checkbox"/> +9 <input type="checkbox"/>	0 <input type="checkbox"/> +5 <input type="checkbox"/> +9 <input type="checkbox"/>
Kashima Bodies:	<input checked="" type="checkbox"/>	Chrome Shafts: <input checked="" type="checkbox"/> Machined Spacers: <input checked="" type="checkbox"/>
Notes:		



Track Info:

Size:	Medium
Surface:	Glued Dirt
Traction:	Very High
Moisture:	None
Condition:	Re-Glued Every Night
Temperature:	65F
Notes:	

Tires:

Front Tires:	JConcepts Smoothie2 (Sidewalls Glued)
Front Compound:	Silver
Front Insert:	JConcepts Dirt Tech (Glued To Wheel)
Rear Tires:	JConcepts Smoothie2
Rear Compound:	Silver
Rear Insert:	JConcepts Dirt Tech
Wheel (F/R):	#9690 & #9695 Team Associated 12mm
Notes:	Clean w/ Sprayway; TDK Edge; Tires Best After 5 Min

Body, Weight:

Body:	#92423 FT Lightweight RC10B7
Front Wing:	None
Rear Wing:	JConcepts Aero 7"
Wing Angle:	0° <input type="checkbox"/> 3° <input type="checkbox"/> 6° <input checked="" type="checkbox"/>
Chassis Length:	#92400 RC10B7
Servo Weights:	None
Electronic Weights:	#91975 FT Carbon Fiber
Total Vehicle Weight:	1562g

Vehicle Comments:

Notes:	#92360 FT Titanium Turnbuckle Set #91750, 91751, 91752 & 91753 FT Titanium Ballstuds Schelle Titanium Screws
--------	--