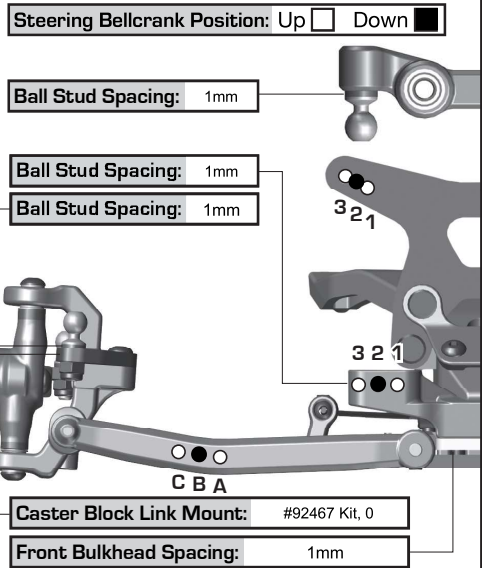
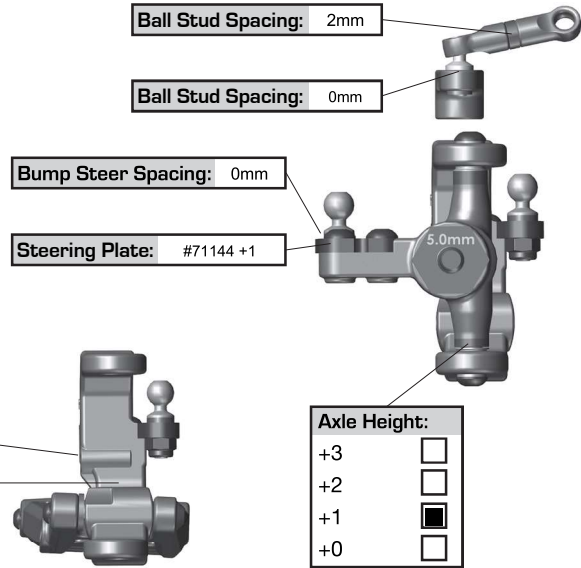


Front Suspension:

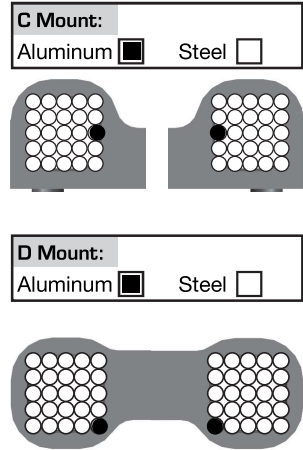
Reset Forms

Ride Height:	18mm
Camber:	-1.5°
Toe:	0.2° (Tierod Gap = 27.2mm)
Anti-Roll Bar:	N/A
Arm Type:	#92410 Kit
Tower Type:	#92430 Kit
Wheel Hex:	#91610 FT Clamping, 5.0mm
Steering Block KPI:	#92414 Kit - 4 Trail / KPI 2
Caster Block Insert:	0 <input type="checkbox"/> -2.5 <input type="checkbox"/> -5 <input checked="" type="checkbox"/>
Bulkhead Type:	#92436 FT 0°, Aluminum
Kick-Up Angle:	-2.5 <input type="checkbox"/> 0 <input checked="" type="checkbox"/> +2.5 <input type="checkbox"/>
Steering Stop Spacing:	0mm
Caster Block Spacing:	Fwd <input checked="" type="checkbox"/> Back <input type="checkbox"/>
Notes:	#71181 FT Hex Adapter Front Axles, Titanium #91983 FT Steering Bellcranks, Aluminum

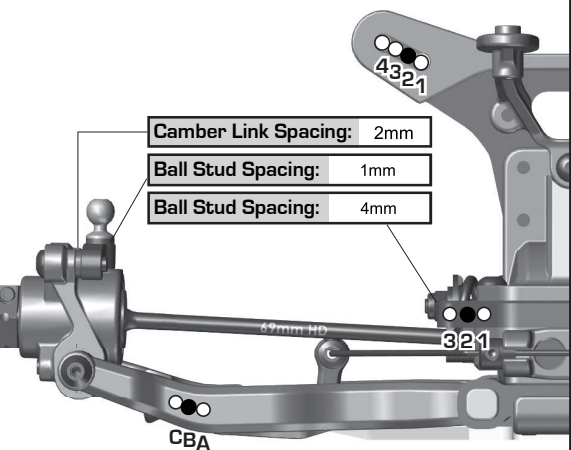


Rear Suspension:

Ride Height:	18mm
Camber:	-2.0°
Anti-Roll Bar:	N/A
Arm Type:	#92408 Kit
Tower Type:	#92431 Kit
Arm Spacing:	Fwd <input type="checkbox"/> Mid <input checked="" type="checkbox"/> Back <input type="checkbox"/>
Wheel Hex:	#91609 FT Clamping, 5.0mm
Hub Type:	Std <input checked="" type="checkbox"/> HRC <input type="checkbox"/> #92412 Kit
Hub Spacing:	Fwd <input type="checkbox"/> Mid <input checked="" type="checkbox"/> Back <input type="checkbox"/>
Drive Shaft:	CVA's <input checked="" type="checkbox"/> Universals <input type="checkbox"/>
Notes:	#92185 FT Carbon Hub Link Shims



Axle Height:	
▼0 3▲	+3
▼1 2▲	+2
▲1 2▼	+1
▲0 3▼	+0



Electronics:

Radio:	N/A	Servo:	#27119 Reedy RT1705A	
EPA: Throttle:	N/A	% Brake:	N/A	%
ESC:	#27017 Reedy Blackbox 610R			
ESC Settings:	See Setup Sheet			
Motor / Wind:	#27440 Reedy Sonic M4 8.0T	Timing:	20°	
Pinion:	#1342 FT 24T	Spur:	#92294 Octalock 75T	
Battery Mount:	Std <input checked="" type="checkbox"/> Offset <input type="checkbox"/> N/A			
Battery:	#27396 Reedy Zapper 4800	Weight:	#27355 Reedy Battery Weight, 34g	
Notes:	#1370 FT Servo Horn, 25T (2mm Ballstud Spacing)			

Drivetrain:

Differential:	Ball Diff: <input checked="" type="checkbox"/>		
Height:	1	Gear Diff:	<input type="checkbox"/>
Diff Setting:	#91918 FT Diff Decoder = 210		
Notes:	#6576 FT Precision Ground Diff Rings		

Slipper Clutch:

Type:	#92450 & 91803 Kit
# of Pads:	#92285 FT Octalock LCF x 2
Setting:	Front Tires Lift 1/4"
Notes:	

Shocks:

	Front	Rear
Piston:	3 x 1.5	3 x 1.6
Thickness:	#71172 2.0mm	#71173 2.0mm
Fluid:	#5473 FT 32.5wt	#5472 FT 30wt
Spring:	#91941 13mm Gray	#91948 13mm White
Limiters:	Int: 1mm Ext: 0mm	Int: 0 Ext: 0mm
Stroke:	22.5mm	27.5mm
Eyelet:	+2mm	+4mm
Cup Offset:	0 <input type="checkbox"/> +5 <input checked="" type="checkbox"/> +9 <input type="checkbox"/>	0 <input type="checkbox"/> +5 <input type="checkbox"/> +9 <input type="checkbox"/>
Kashima Bodies:	<input checked="" type="checkbox"/>	Chrome Shafts: <input checked="" type="checkbox"/> Machined Spacers: <input checked="" type="checkbox"/>
Notes:		



Track Info:

Size:	Large
Surface:	Clay (Oil Treated)
Traction:	Medium-High
Moisture:	None
Condition:	Outdoor, High Speed Chicanes Off Camber Sections Infield
Temperature:	25C / 77F
Notes:	

Tires:

Front Tires:	JConcepts Ellipse
Front Compound:	Silver
Front Insert:	Dirt Tech
Rear Tires:	JConcepts Ellipse
Rear Compound:	Silver
Rear Insert:	JConcepts Dirt Tech
Wheel (F/R):	JConcepts Mono 12mm
Notes:	TDK High Grip Sauce

Body, Weight:

Body:	#92422 Kit RC10B7
Front Wing:	#92425 Team Associated RC10B7
Rear Wing:	#92424 Team Associated RC10B7 7"
Wing Angle:	0° <input type="checkbox"/> 3° <input type="checkbox"/> 6° <input checked="" type="checkbox"/>
Chassis Length:	#92400 RC10B7
Servo Weights:	None
Electronic Weights:	#91975 FT Carbon
Total Vehicle Weight:	1580g

Vehicle Comments:

Notes:	JConcepts FIN Titanium Turnbuckle Set #91750, 91751, 91752 & 91753 FT Titanium Ballstuds
--------	---