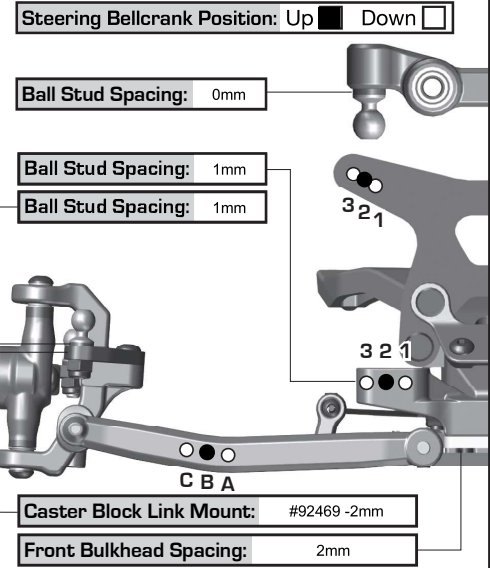
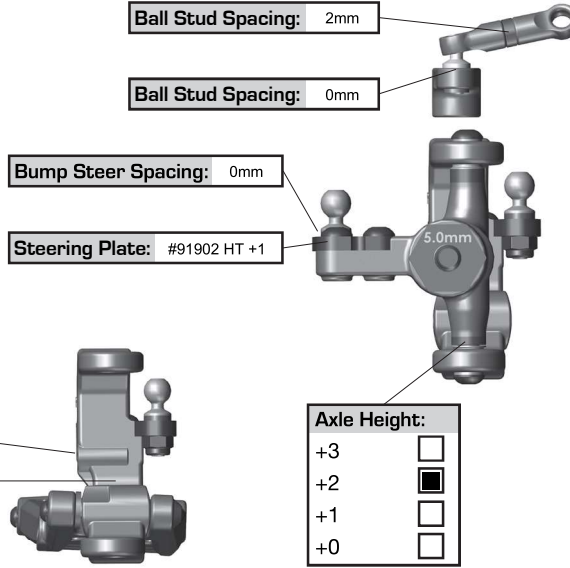


Front Suspension:

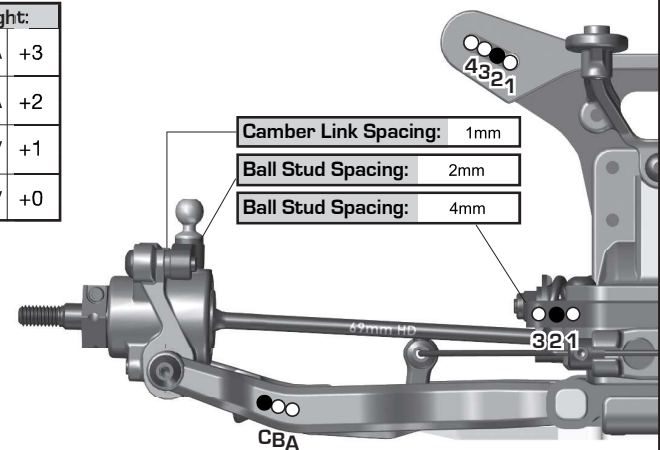
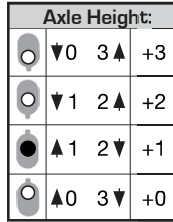
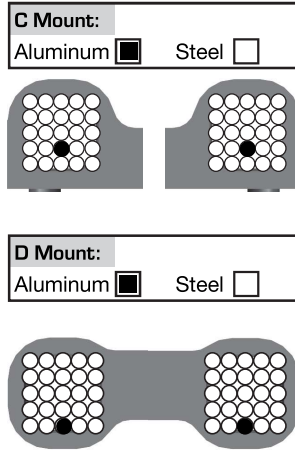
Reset Forms

Ride Height:	18mm
Camber:	-1°
Toe:	Tierod Gap = 27.1mm
Anti-Roll Bar:	None
Arm Type:	#92411 FT Carbon
Tower Type:	#92430 Kit
Wheel Hex:	#91609 FT Clamping, 5.0mm
Steering Block KPI:	#92414 Standard - 4 Trail / KPI 3
Caster Block Insert:	0 <input type="checkbox"/> +2.5 <input type="checkbox"/> +5 <input type="checkbox"/>
Bulkhead Type:	#92437 FT +/- 2.5°, Aluminum
Kick-Up Angle:	-2.5 <input type="checkbox"/> 0 <input type="checkbox"/> +2.5 <input checked="" type="checkbox"/>
Steering Stop Spacing:	1mm
Caster Block Spacing:	Fwd <input type="checkbox"/> Back <input type="checkbox"/>
Notes:	#71181 FT Hex Adapter Front Axles, Titanium #91983 FT Steering Bellcranks, Aluminum



Rear Suspension:

Ride Height:	18mm
Camber:	-1°
Anti-Roll Bar:	None
Arm Type:	#92409 FT Carbon
Tower Type:	#92431 Kit
Arm Spacing:	Fwd <input type="checkbox"/> Mid <input checked="" type="checkbox"/> Back <input type="checkbox"/>
Wheel Hex:	#71034 FT Clamping, 6.0mm
Hub Type:	Std <input checked="" type="checkbox"/> HRC <input type="checkbox"/> #92412 Standard
Hub Spacing:	Fwd <input type="checkbox"/> Mid <input checked="" type="checkbox"/> Back <input type="checkbox"/>
Drive Shaft:	CVA's <input checked="" type="checkbox"/> Universals <input type="checkbox"/>
Notes:	#92185 FT Carbon Hub Link Shims



Electronics:

Radio: Futaba 10TPX	Servo: Savox SB-2262 SG
EPA: Throttle: 96 %	Brake: 94 %
ESC: Hobbywing XR10 Pro	
ESC Settings: See Setup Sheet	
Motor / Wind: Hobbywing 7.0T	Timing: 30°
Pinion: #1340 FT 23T	Spur: #92295 Octalock 78T
Battery Mount: Std <input checked="" type="checkbox"/> Offset <input type="checkbox"/>	
Back 1 <input type="checkbox"/> 2 <input type="checkbox"/> 3 <input checked="" type="checkbox"/> 4 <input type="checkbox"/> 5 <input type="checkbox"/> Forward	
Battery: Protek 4800	Weight: None
Notes:	

Drivetrain:

Differential:	Ball Diff: <input checked="" type="checkbox"/>
Height: 1	Gear Diff: <input type="checkbox"/>
Diff Setting: #91918 FT Diff Decoder = 270	
Notes:	

Slipper Clutch:

Type:	#92450 & 91803 Kit
# of Pads:	#92286 FT Octalock 19mm LCF x 2
Setting:	Front Tires Lift 1/2"
Notes:	

Shocks:

	Front	Rear
Piston:	1 x 1.7 + 1 x 1.8	2 x 2.0 + 1 x 1.0
Thickness:	#91933 2.5mm	#92429 2.5mm
Fluid:	#5471 FT 27.5wt	#5470 FT 25wt
Spring:	1Up Yellow	#91948 13mm White
Limiters:	Int: 1mm Ext: 0mm	Int: 0mm Ext: 2mm
Stroke:	22.0mm	30.0mm
Eyelet:	+2mm	+4mm
Cup Offset:	0 <input type="checkbox"/> +5 <input checked="" type="checkbox"/> +9 <input type="checkbox"/>	0 <input type="checkbox"/> +5 <input checked="" type="checkbox"/> +9 <input type="checkbox"/>
Kashima Bodies:	<input checked="" type="checkbox"/>	<input checked="" type="checkbox"/>
Chrome Shafts:	<input checked="" type="checkbox"/>	<input checked="" type="checkbox"/>
Machined Spacers:	<input checked="" type="checkbox"/>	<input checked="" type="checkbox"/>
Notes:	#91986 FT Fox Shock Upgrade	



Track Info:

Size:	Medium
Surface:	Natural Dirt
Traction:	High
Moisture:	None
Condition:	Grooves Up w/ Marbeling
Temperature:	80F
Notes:	

Tires:

Front Tires:	JConcepts Smoothie 2
Front Compound:	Aqua
Front Insert:	JConcepts Dirt Tech
Rear Tires:	JConcepts Smoothie 2
Rear Compound:	Aqua
Rear Insert:	JConcepts Smoothie 2
Wheel (F/R):	JConcepts Mono
Notes:	

Body, Weight:

Body:	JConcepts P2
Front Wing:	JConcepts Upper
Rear Wing:	JConcepts 7" Aero (Corner Vent Holes)
Wing Angle:	0° <input type="checkbox"/> 3° <input type="checkbox"/> 6° <input checked="" type="checkbox"/>
Chassis Length:	#92490 RC10B7 -4mm
Servo Weights:	None
Electronic Weights:	#91976 FT Aluminum
Total Vehicle Weight:	1523g

Vehicle Comments:

Notes:	JConcepts Titanium Turnbuckles #91750, 91751, 91752 & 91753 FT Titanium Ballstuds JConcepts Titanium Screw Kit
---------------	--