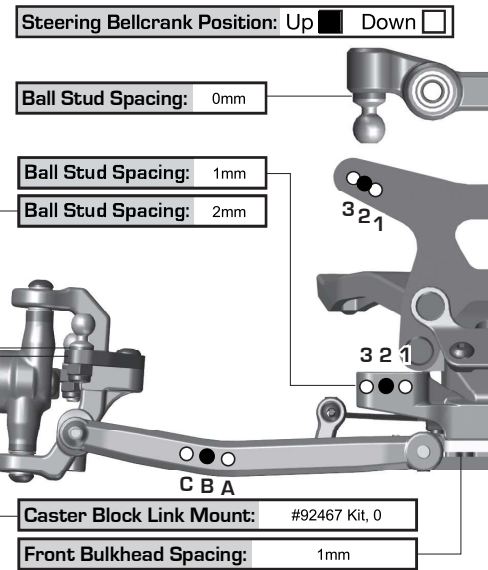
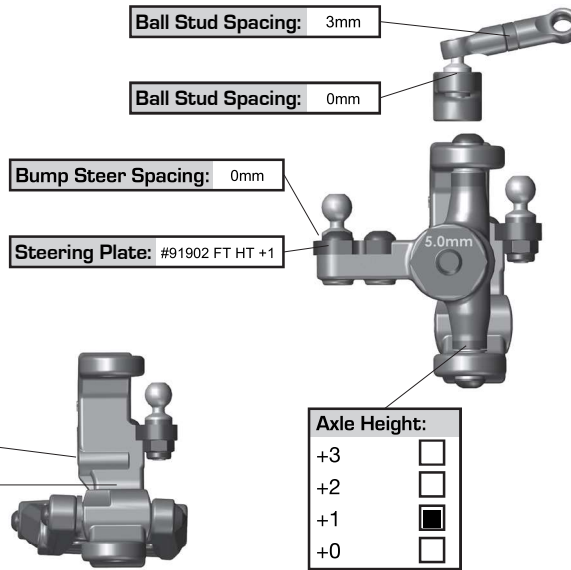


### Front Suspension:

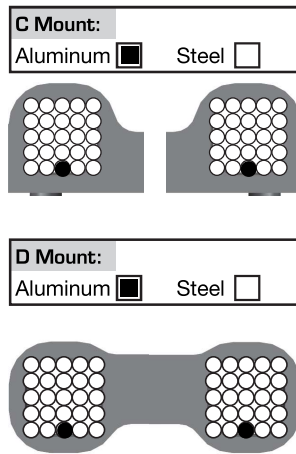
**Reset Forms**

<b>Ride Height:</b>	18mm
<b>Camber:</b>	-2°
<b>Toe:</b>	0° (Tierod Gap = 26.75mm)
<b>Anti-Roll Bar:</b>	None
<b>Arm Type:</b>	#92411 FT Carbon
<b>Tower Type:</b>	#92430 Kit
<b>Wheel Hex:</b>	#91609 FT Clamping, 5.0mm
<b>Steering Block KPI:</b>	#92415 FT Carbon - 4 Trail / KPI 3
<b>Caster Block Insert:</b>	0 <input type="checkbox"/> -2.5 <input type="checkbox"/> -5 <input type="checkbox"/>
<b>Bulkhead Type:</b>	#92437 FT +/- 2.5°, Aluminum
<b>Kick-Up Angle:</b>	-2.5 <input type="checkbox"/> 0 <input type="checkbox"/> +2.5 <input checked="" type="checkbox"/>
<b>Steering Stop Spacing:</b>	0.5mm
<b>Caster Block Spacing:</b>	Fwd <input type="checkbox"/> Back <input type="checkbox"/>
<b>Notes:</b>	#91983 FT Steering Bellcranks, Aluminum #71181 FT Hex Adapter Front Axles, Titanium

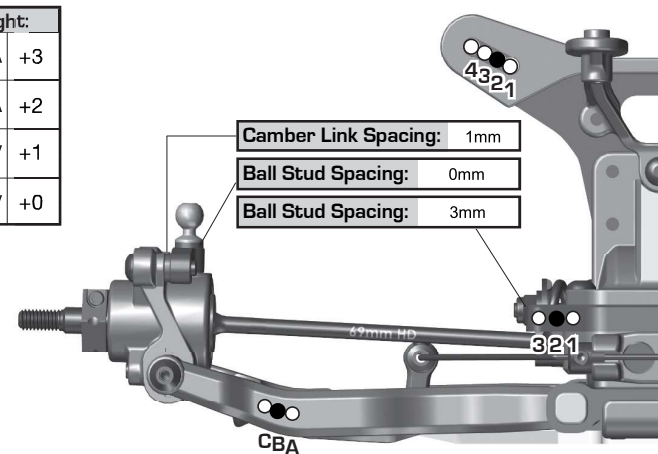


### Rear Suspension:

<b>Ride Height:</b>	18mm
<b>Camber:</b>	-2°
<b>Anti-Roll Bar:</b>	None
<b>Arm Type:</b>	#92409 FT Carbon
<b>Tower Type:</b>	#92431 Kit
<b>Arm Spacing:</b>	Fwd <input type="checkbox"/> Mid <input checked="" type="checkbox"/> Back <input type="checkbox"/>
<b>Wheel Hex:</b>	#91609 FT Clamping, 5.0mm
<b>Hub Type:</b>	Std <input checked="" type="checkbox"/> HRC <input type="checkbox"/> #92413 FT Carbon
<b>Hub Spacing:</b>	Fwd <input type="checkbox"/> Mid <input checked="" type="checkbox"/> Back <input type="checkbox"/>
<b>Drive Shaft:</b>	CVA's <input checked="" type="checkbox"/> Universals <input type="checkbox"/>
<b>Notes:</b>	#92185 FT Carbon Hub Link Shims



<b>Axle Height:</b>	
▼0 3▲	+3
▼1 2▲	+2
▲1 2▼	+1
▲0 3▼	+0



### Electronics:

<b>Radio:</b> Futaba T10PX US Spec	<b>Servo:</b> Savox 2262
<b>EPA: Throttle:</b> 100 %	<b>Brake:</b> 90 %
<b>ESC:</b> Hobbywing XR10 Pro G2	
<b>ESC Settings:</b> See Setup Sheet	
<b>Motor / Wind:</b> Hobbywing 6.0T	<b>Timing:</b> 30°
<b>Pinion:</b> #1337 FT 19T	<b>Spur:</b> #92295 Octalock 78T
<b>Battery Mount:</b> Std <input checked="" type="checkbox"/> Offset <input type="checkbox"/>	
Back 1 <input type="checkbox"/> 2 <input checked="" type="checkbox"/> 3 <input type="checkbox"/> 4 <input type="checkbox"/> 5 <input type="checkbox"/> Forward	
<b>Battery:</b> Protek 4800 LP	<b>Weight:</b> #27355 Reedy 50g
<b>Notes:</b>	

### Drivetrain:

<b>Differential:</b>	Ball Diff: <input checked="" type="checkbox"/>
<b>Height:</b>	1
<b>Gear Diff:</b>	<input type="checkbox"/>
<b>Diff Setting:</b>	#91918 FT Diff Decoder = 250
<b>Notes:</b>	

### Slipper Clutch:

<b>Type:</b>	#92450 & 91803 Kit
<b># of Pads:</b>	#92286 FT Octalock LCF x 2
<b>Setting:</b>	Front Tires Lift 1"
<b>Notes:</b>	

### Shocks:

	Front	Rear
<b>Piston:</b>	2 x 1.8	2 x 2.0
<b>Thickness:</b>	#91934 2.5mm	#92429 2.5mm
<b>Fluid:</b>	#5474 FT 35wt	#5472 FT 30wt
<b>Spring:</b>	1Up Blue	#91948 13mm White
<b>Limiters:</b>	Int: 1mm Ext: 0	Int: 0 Ext: 0
<b>Stroke:</b>	21.7mm	28mm
<b>Eyelet:</b>	+2mm	+4mm
<b>Cup Offset:</b>	0 <input type="checkbox"/> +5 <input checked="" type="checkbox"/> +9 <input type="checkbox"/>	0 <input type="checkbox"/> +5 <input type="checkbox"/> +9 <input type="checkbox"/>
<b>Kashima Bodies:</b>	<input checked="" type="checkbox"/>	<input checked="" type="checkbox"/>
<b>Chrome Shafts:</b>	<input checked="" type="checkbox"/>	<input checked="" type="checkbox"/>
<b>Machined Spacers:</b>	<input checked="" type="checkbox"/>	<input checked="" type="checkbox"/>
<b>Notes:</b>		



### Track Info:

<b>Size:</b>	Medium-Large
<b>Surface:</b>	Hard Packed Natural Dirt
<b>Traction:</b>	Medium-High
<b>Moisture:</b>	Misted
<b>Condition:</b>	Blown Off Groove
<b>Temperature:</b>	65F
<b>Notes:</b>	

### Tires:

<b>Front Tires:</b>	JConcepts Smoothie2
<b>Front Compound:</b>	Silver
<b>Front Insert:</b>	JConcepts Dirt Tech
<b>Rear Tires:</b>	JConcepts Smoothie2
<b>Rear Compound:</b>	Silver
<b>Rear Insert:</b>	JConcepts Dirt Tech
<b>Wheel (F/R):</b>	JConcepts Mono 12mm
<b>Notes:</b>	TDK Gen2

### Body, Weight:

<b>Body:</b>	#92423 FT Lightweight RC10B7
<b>Front Wing:</b>	None
<b>Rear Wing:</b>	JConcepts 7"
<b>Wing Angle:</b>	0° <input type="checkbox"/> 3° <input type="checkbox"/> 6° <input checked="" type="checkbox"/>
<b>Chassis Length:</b>	#92400 RC10B7
<b>Servo Weights:</b>	None
<b>Electronic Weights:</b>	#91977 FT Aluminum
<b>Total Vehicle Weight:</b>	1550g

### Vehicle Comments:

<b>Notes:</b>	JConcepts Titanium Screws JConcepts Titanium Turnbuckles
---------------	---