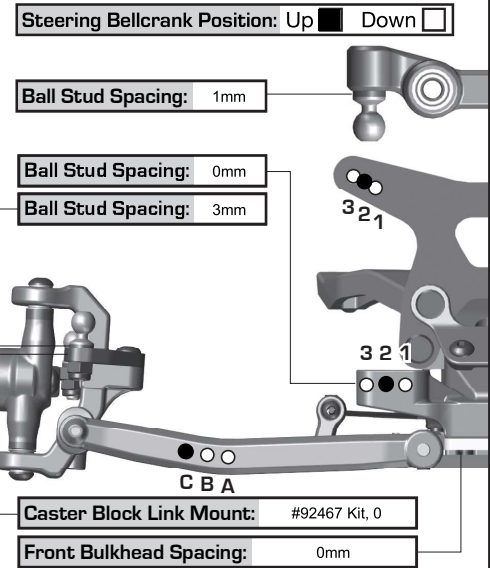
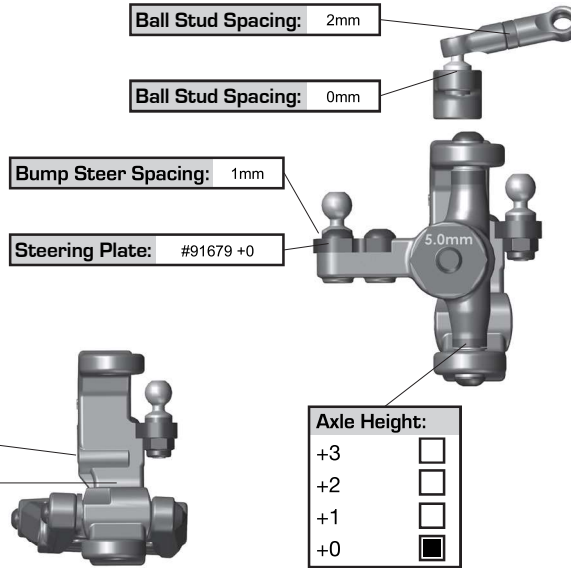


### Front Suspension:

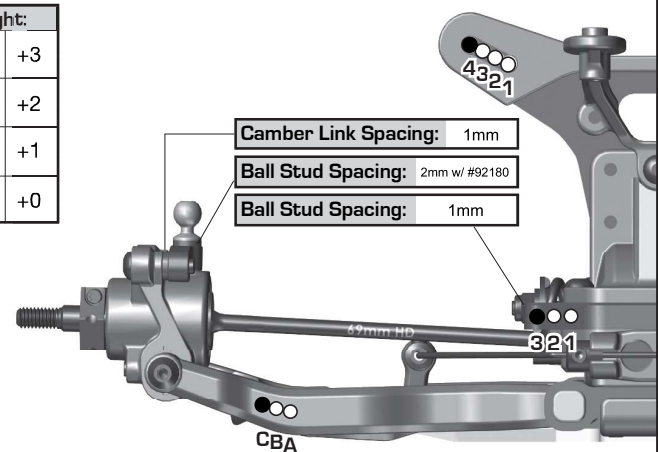
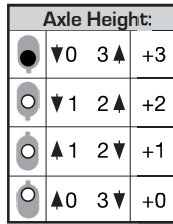
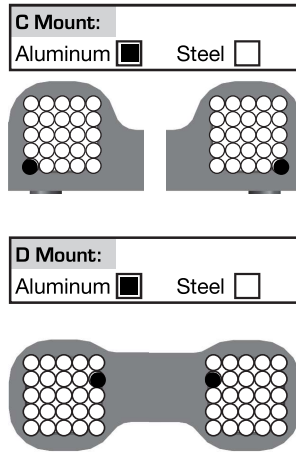
Reset Forms

Ride Height:	13.5mm
Camber:	-1.5°
Toe:	0° (Tierod Gap = 29.5mm)
Anti-Roll Bar:	0.8mm
Arm Type:	#92410 Kit
Tower Type:	#92430 Kit
Wheel Hex:	#91609 FT Clamping, 5.0mm
Steering Block KPI:	#92414 Kit - 4 Trail / KPI 1
Caster Block Insert:	0 <input type="checkbox"/> -2.5 <input type="checkbox"/> -5 <input checked="" type="checkbox"/>
Bulkhead Type:	#92436 FT 0°, Aluminum
Kick-Up Angle:	-2.5 <input type="checkbox"/> 0 <input checked="" type="checkbox"/> +2.5 <input type="checkbox"/>
Steering Stop Spacing:	0mm
Caster Block Spacing:	Fwd <input checked="" type="checkbox"/> Back <input type="checkbox"/>
Notes:	



### Rear Suspension:

Ride Height:	14mm
Camber:	-1°
Anti-Roll Bar:	1.2mm
Arm Type:	#92408 Kit
Tower Type:	#92431 Kit
Arm Spacing:	Fwd <input type="checkbox"/> Mid <input type="checkbox"/> Back <input checked="" type="checkbox"/>
Wheel Hex:	#91609 FT Clamping, 5.0mm
Hub Type:	Std <input type="checkbox"/> HRC <input checked="" type="checkbox"/> #92412 Kit
Hub Spacing:	Fwd <input type="checkbox"/> Mid <input type="checkbox"/> Back <input checked="" type="checkbox"/>
Drive Shaft:	CVA's <input checked="" type="checkbox"/> Universals <input type="checkbox"/>
Notes:	#92180 Hub Tower Reversed



### Electronics:

Radio:	Sanwa M17	Servo:	#27154 Reedy RS1606A LP
EPA: Throttle:	100 %	Brake:	100 %
ESC:	Hobbywing XR10 Pro G2S		
ESC Settings:	See Setup Sheet		
Motor / Wind:	Hobbywing G3 5.5T	Timing:	30°
Pinion:	#1339 FT 21T	Spur:	#92295 Octalock 78T
Battery Mount:	Std <input checked="" type="checkbox"/> Offset <input type="checkbox"/>		
Battery:	4800 LP	Weight:	N/A
Notes:	#1370 FT Servo Horn, 25T (0mm Ballstud Spacing)		

### Drivetrain:

Differential:	Ball Diff: <input type="checkbox"/>
Height:	2 Gear Diff: <input checked="" type="checkbox"/>
Diff Setting:	#5459 FT 100k
Notes:	2-Gear LTC Metal

### Slipper Clutch:

Type:	#92450 & 91803 Kit
# of Pads:	#92285 FT Octalock LCF x 2
Setting:	Front Tires Lift 1mm
Notes:	

### Shocks:

	Front	Rear
Piston:	2 x 1.7	2 x 1.8
Thickness:	#91937 2.0mm	#91938 2.0mm
Fluid:	#5475 FT 37.5wt	#5474 FT 35wt
Spring:	#91834 12mm Yellow	#91841 12mm Yellow
Limiters:	Int: 1 Ext: 2mm	Int: 0 Ext: 0mm
Stroke:	23mm	28mm
Eyelet:	0mm	+4mm
Cup Offset:	0 <input type="checkbox"/> +5 <input checked="" type="checkbox"/> +9 <input type="checkbox"/>	0 <input type="checkbox"/> +5 <input type="checkbox"/> +9 <input type="checkbox"/>
Kashima Bodies:	<input checked="" type="checkbox"/>	Chrome Shafts: <input checked="" type="checkbox"/> Machined Spacers: <input checked="" type="checkbox"/>
Notes:		

### Track Info:

Size:	Large
Surface:	EOS Carpet
Traction:	High
Moisture:	None
Condition:	High Speed Sweepers; Tight Infield
Temperature:	
Notes:	

### Tires:

Front Tires:	Schumacher Cut Stagger LP
Front Compound:	Yellow
Front Insert:	None
Rear Tires:	Schumacher Cactus (Trim Spikes Inside & Outside)
Rear Compound:	Yellow
Rear Insert:	Schumacher Medium
Wheel (F/R):	Schumacher Spec Wheel
Notes:	Front Tire Side Voids Filled w/ Glue

### Body, Weight:

Body:	#92423 FT Lightweight RC10B7
Front Wing:	#92425 Team Associated RC10B7
Rear Wing:	#91741 B6 6.5°
Wing Angle:	0° <input type="checkbox"/> 3° <input checked="" type="checkbox"/> 6° <input type="checkbox"/>
Chassis Length:	#92400 RC10B7
Servo Weights:	None
Electronic Weights:	#91977 FT Steel
Total Vehicle Weight:	1525g

### Vehicle Comments:

Notes:	