

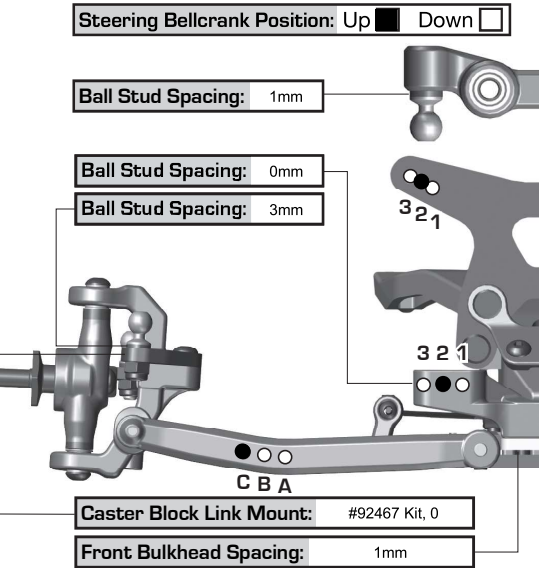
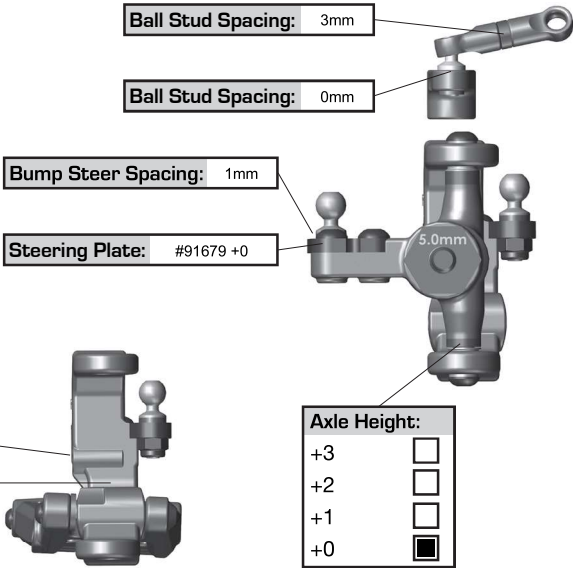


Driver: Marcus Kaerup Event: N/A Qualify: N/A Main: N/A
 Date: January 20, 2024 Tracks: Private Finish: N/A Best Lap Time: N/A

Front Suspension:

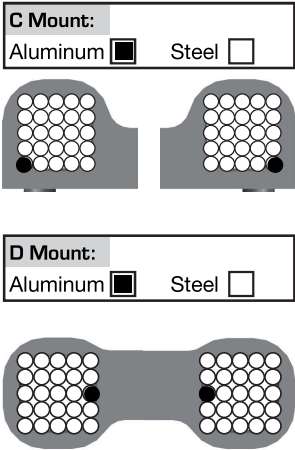
Reset Forms

Ride Height: 13.5mm
 Camber: -1.5°
 Toe: 0° (Tierod Gap = 29.5mm)
 Anti-Roll Bar: 1.0mm
 Arm Type: #92411 FT Carbon
 Tower Type: #92430 Kit
 Wheel Hex: #91609 FT Clamping, 5.0mm
 Steering Block KPI: #92414 Kit - 4 Trail / KPI 1
 Caster Block Insert: 0 -2.5 -5
 Bulkhead Type: #92437 FT +/- 2.5°, Aluminum
 Kick-Up Angle: -2.5 0 +2.5
 Steering Stop Spacing: 0mm
 Caster Block Spacing: Fwd Back
 Notes: #71181 FT Hex Adapter Front Axles, Titanium
 #91983 FT Steering Bellcranks, Aluminum



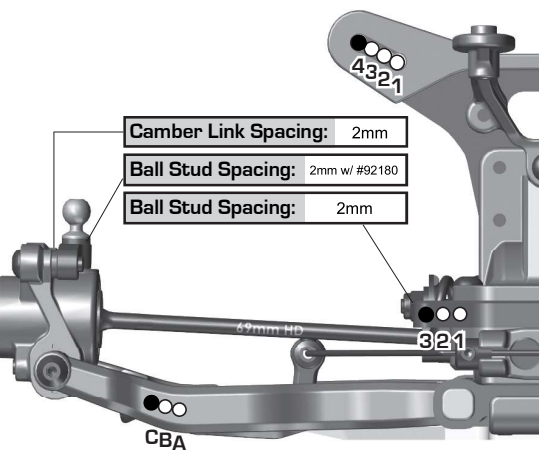
Rear Suspension:

Ride Height: 14mm
 Camber: -1.5°
 Anti-Roll Bar: 1.3mm
 Arm Type: #92409 FT Carbon
 Tower Type: #92431 Kit
 Arm Spacing: Fwd Mid Back
 Wheel Hex: #91609 FT Clamping, 5.0mm
 Hub Type: Std HRC #92413 FT Carbon
 Hub Spacing: Fwd Mid Back
 Drive Shaft: CVA's Universals
 Notes: #92185 FT Carbon Hub Link Shims



Axle Height:

▼0	3▲	+3
▼1	2▲	+2
▲1	2▼	+1
▲0	3▼	+0



Electronics:

Radio: Sanwa M17 Servo: #27155 Reedy RT2007A
 EPA: Throttle: 100 % Brake: 100 %
 ESC: #27017 Reedy Blackbox 610R
 ESC Settings: See Setup Sheet
 Motor / Wind: #27446 Reedy Sonic M4 5.5T Timing: 20°
 Pinion: #1339 FT 21T Spur: #92295 Octalock 78T
 Battery Mount: Std Offset
 Back 1 2 3 4 5 Forward
 Battery: #27396 Reedy Zapper 4800 Weight: N/A
 Notes: #1370 FT Servo Horn, 25T (0mm Ballstud Spacing)

Drivetrain:

Differential: Ball Diff:
 Height: 3 Gear Diff:
 Diff Setting: #91918 FT Diff Decoder = 205
 #5459 FT 100k
 Notes: 2-Gear LTC Metal

Slipper Clutch:

Type: #92450 & 91803 Kit
 # of Pads: #92285 FT Octalock LCF x 2
 Setting: Front Tires Lift 1mm
 Notes:

Shocks:

	Front	Rear
Piston:	2 x 1.7	2 x 1.8
Thickness:	#91937 2.0mm	#91938 2.0mm
Fluid:	#5475 FT 37.5wt	#5474 FT 35wt
Spring:	#91834 12mm Yellow	#91841 12mm Yellow
Limiters:	Int: 0 Ext: 1mm	Int: 0 Ext: 2mm
Stroke:	23mm	28mm
Eyelet:	0mm	+4mm
Cup Offset:	0 <input type="checkbox"/> +5 <input checked="" type="checkbox"/> +9 <input type="checkbox"/>	0 <input type="checkbox"/> +5 <input type="checkbox"/> +9 <input type="checkbox"/>
Kashima Bodies:	<input checked="" type="checkbox"/>	Chrome Shafts: <input checked="" type="checkbox"/> Machined Spacers: <input checked="" type="checkbox"/>
Notes:		



Track Info:

Size: Large
 Surface: EOS Carpet
 Traction: High
 Moisture: None
 Condition: High Speed Sweepers; Tight Infield
 Temperature:
 Notes:

Tires:

Front Tires: Schumacher Cut Stagger LP
 Front Compound: Yellow
 Front Insert: None
 Rear Tires: Schumacher Cactus (Trim Spikes Inside & Outside)
 Rear Compound: Yellow
 Rear Insert: Schumacher Medium
 Wheel (F/R): #9690 & 9695 Team Associated 12mm
 Notes: Front Tire Side Voids Filled w/ Glue

Body, Weight:

Body: #92423 FT Lightweight RC10B7
 Front Wing: JConcepts
 Rear Wing: JConcepts 6.5° Turf
 Wing Angle: 0° 3° 6°
 Chassis Length: #92400 RC10B7
 Servo Weights: None
 Electronic Weights: #91977 FT Aluminum
 Total Vehicle Weight: N/A

Vehicle Comments:

Notes: #92360 FT Titanium Turnbuckle Set
 #91750, 91751, 91752 & 91753 FT Titanium Ballstuds