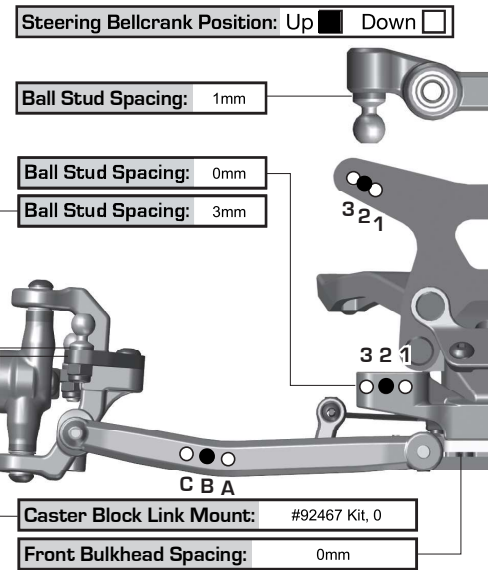
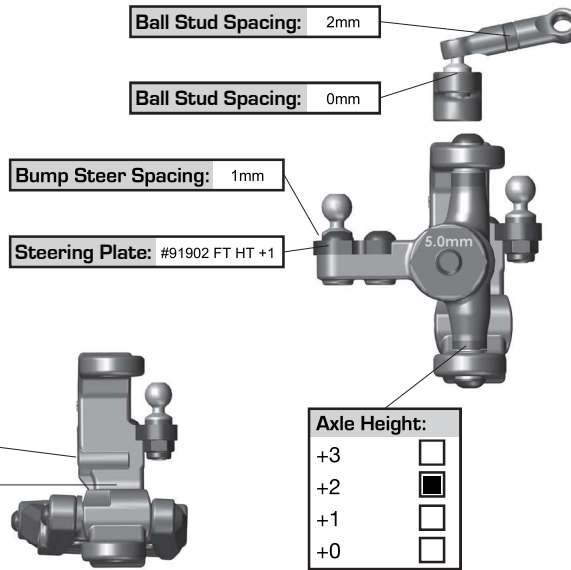


Front Suspension:

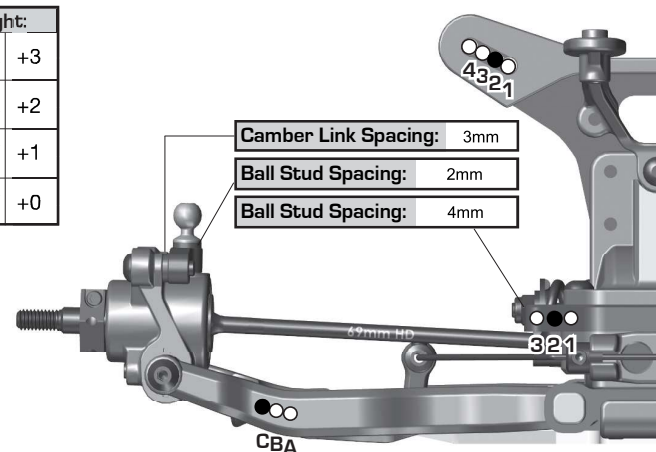
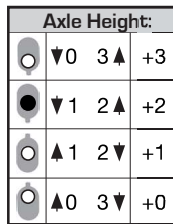
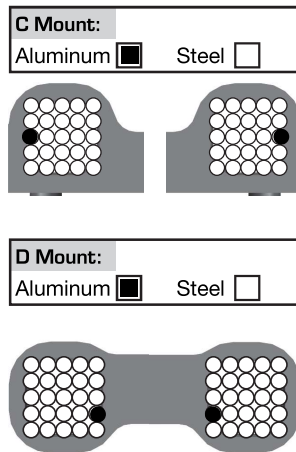
Reset Forms

Ride Height:	14mm
Camber:	-2°
Toe:	0°
Anti-Roll Bar:	1.0mm
Arm Type:	#92411 FT Carbon
Tower Type:	#92430 Kit
Wheel Hex:	#91609 FT Clamping, 5.0mm
Steering Block KPI:	#92414 Kit - 4 Trail / KPI 2
Caster Block Insert:	0 <input type="checkbox"/> -2.5 <input type="checkbox"/> -5 <input type="checkbox"/>
Bulkhead Type:	#92437 FT +/- 2.5°, Aluminum
Kick-Up Angle:	-2.5 <input type="checkbox"/> 0 <input type="checkbox"/> +2.5 <input checked="" type="checkbox"/>
Steering Stop Spacing:	0mm
Caster Block Spacing:	Fwd <input type="checkbox"/> Back <input type="checkbox"/>
Notes:	#71181 FT Hex Adapter Front Axles, Titanium #91983 FT Steering Bellcranks, Aluminum



Rear Suspension:

Ride Height:	14mm
Camber:	-1°
Anti-Roll Bar:	1.0mm
Arm Type:	#92408 Kit
Tower Type:	#92431 Kit
Arm Spacing:	Fwd <input type="checkbox"/> Mid <input checked="" type="checkbox"/> Back <input type="checkbox"/>
Wheel Hex:	#91609 FT Clamping, 5.0mm
Hub Type:	Std <input checked="" type="checkbox"/> HRC <input type="checkbox"/> #92412 Kit
Hub Spacing:	Fwd <input type="checkbox"/> Mid <input checked="" type="checkbox"/> Back <input type="checkbox"/>
Drive Shaft:	CVA's <input checked="" type="checkbox"/> Universals <input type="checkbox"/>
Notes:	#92185 FT Carbon Hub Link Shims #92402 FT Top Plate & Ballstud Mount, Carbon



Electronics:

Radio:	Sanwa M17	Servo:	#27154 Reedy RT1606A
EPA: Throttle:	100 %	Brake:	85 %
ESC:	#27017 Reedy Blackbox 610R		
ESC Settings:	See Setup Sheet		
Motor / Wind:	#27446 Reedy Sonic M4 5.5T	Timing:	20°
Pinion:	#1339 FT 21T	Spur:	#92295 Octalock 78T
Battery Mount:	Std <input checked="" type="checkbox"/> Offset <input type="checkbox"/>		
Battery:	#27396 Reedy Zapper 4800	Weight:	None
Notes:	#1370 FT Servo Horn, 25T		

Drivetrain:

Differential:	Ball Diff: <input type="checkbox"/>		
Height:	2	Gear Diff:	<input checked="" type="checkbox"/>
Diff Setting:	#5461 FT 200k		
	2-Gear LTC Metal		
Notes:	Test HTC Gear Set		

Slipper Clutch:

Type:	#92450 & 91803 Kit
# of Pads:	#92286 FT Octalock LCF x 2
Setting:	Front Tires Lift 1/2"
Notes:	#91801 Slipper Spring

Shocks:

	Front	Rear
Piston:	2 x 1.6	2 x 2.0
Thickness:	#91932 2.5mm	#92429 2.5mm
Fluid:	#5474 FT 35wt	#5473 FT 32.5wt
Spring:	Core RC Purple	Core RC Blue
Limiters:	Int: 1mm Ext: 3mm	Int: 0mm Ext: 6mm
Stroke:	22.0mm	29mm
Eyelet:	+2mm	+2mm
Cup Offset:	0 <input type="checkbox"/> +5 <input type="checkbox"/> +9 <input type="checkbox"/>	0 <input type="checkbox"/> +5 <input type="checkbox"/> +9 <input type="checkbox"/>
Kashima Bodies:	<input checked="" type="checkbox"/>	Chrome Shafts: <input checked="" type="checkbox"/> Machined Spacers: <input checked="" type="checkbox"/>
Notes:		

Track Info:

Size:	Medium
Surface:	Black Ozite Carpet
Traction:	Medium High
Moisture:	N/A
Condition:	Fuzzy
Temperature:	70F
Notes:	Tight/Low Speed Layout

Tires:

Front Tires:	Proline Harpoon (Glued Sidewalls)
Front Compound:	CR4
Front Insert:	None
Rear Tires:	Proline Harppoon
Rear Compound:	CR4
Rear Insert:	Proline White (Full)
Wheel (F/R):	#91757 & 9695 Team Associated 12mm
Notes:	

Body, Weight:

Body:	#92423 FT Lightweight RC10B7
Front Wing:	N/A
Rear Wing:	#92424 Team Associated RC10B7 7"
Wing Angle:	0° <input type="checkbox"/> 3° <input type="checkbox"/> 6° <input checked="" type="checkbox"/>
Chassis Length:	#92400 RC10B7
Servo Weights:	None
Electronic Weights:	#91977 FT Steel
Total Vehicle Weight:	N/A

Vehicle Comments:

Notes:	#91750, 91751, 91752 & 91753 FT Titanium Ballstuds; #92402 FT Side Rails, Carbon 1Up Titanium Tierods; 1Up Titanium Upper Screws
--------	--