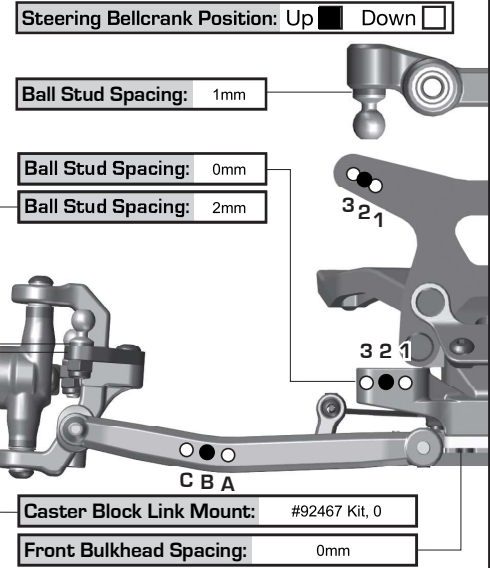
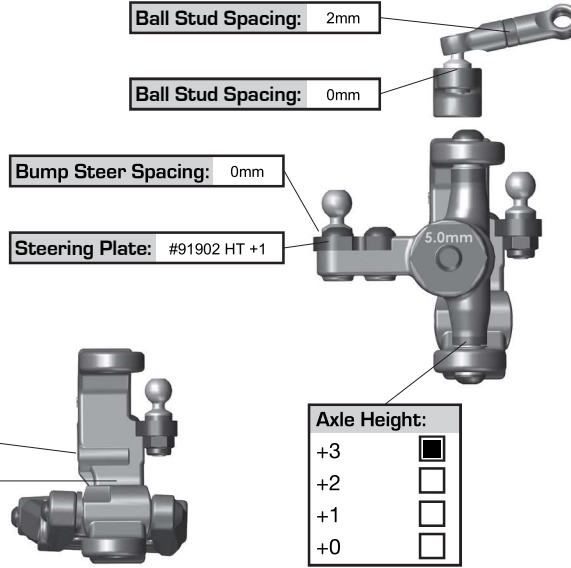


### Front Suspension:

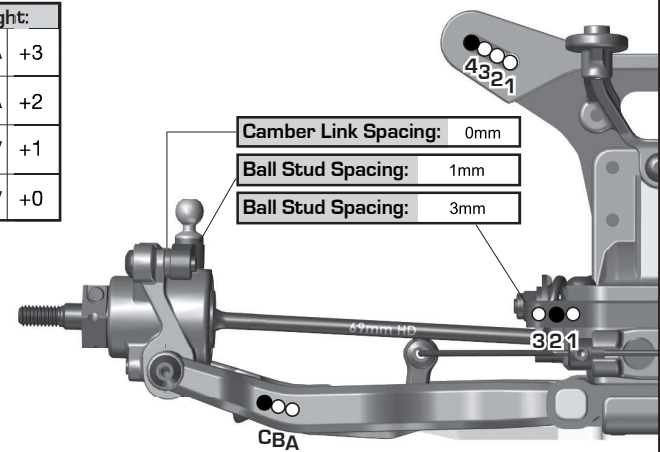
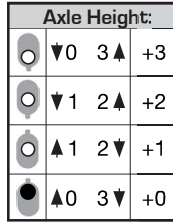
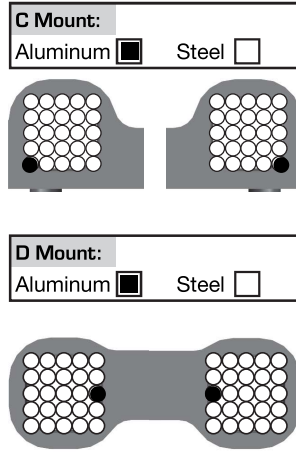
**Reset Forms**

Ride Height:	13mm
Camber:	-2°
Toe:	0°
Anti-Roll Bar:	1.0mm
Arm Type:	#92411 FT Carbon
Tower Type:	#92430 Kit
Wheel Hex:	#71034 FT Clamping, 6.0mm
Steering Block KPI:	#92415 FT Carbon - 4 Trail / KPI 1
Caster Block Insert:	0 <input type="checkbox"/> +2.5 <input type="checkbox"/> +5 <input type="checkbox"/>
Bulkhead Type:	#92437 FT +/- 2.5°, Aluminum
Kick-Up Angle:	-2.5 <input type="checkbox"/> 0 <input type="checkbox"/> +2.5 <input checked="" type="checkbox"/>
Steering Stop Spacing:	None
Caster Block Spacing:	Fwd <input type="checkbox"/> Back <input type="checkbox"/>
Notes:	#71181 FT Hex Adapter Front Axles, Titanium #91983 FT Steering Bellcranks, Aluminum



### Rear Suspension:

Ride Height:	13mm
Camber:	-1°
Anti-Roll Bar:	1.0mm
Arm Type:	#92409 FT Carbon
Tower Type:	#92431 Kit
Arm Spacing:	Fwd <input type="checkbox"/> Mid <input checked="" type="checkbox"/> Back <input type="checkbox"/>
Wheel Hex:	#91609 FT Clamping, 5.0mm
Hub Type:	Std <input type="checkbox"/> HRC <input checked="" type="checkbox"/> #92413 FT Carbon
Hub Spacing:	Fwd <input type="checkbox"/> Mid <input checked="" type="checkbox"/> Back <input type="checkbox"/>
Drive Shaft:	CVA's <input checked="" type="checkbox"/> Universals <input type="checkbox"/>
Notes:	



### Electronics:

Radio:	N/A	Servo:	#27155 Reedy RT2007A
EPA: Throttle:	100 %	Brake:	85 %
ESC:	#27017 Reedy Blackbox 610R		
ESC Settings:	See Setup Sheet		
Motor / Wind:	#27446 Reedy Sonic M4 5.5T	Timing:	20°
Pinion:	#1339 FT 21T	Spur:	#92295 Octalock 78T
Battery Mount:	Std <input type="checkbox"/> Offset <input checked="" type="checkbox"/> Back		
Battery:	#27396 Reedy Zapper 4800	Weight:	#27355 Reedy 34g
Notes:	#27449 Reedy 13.0mm Rotor; #1370 FT Servo Horn, 25T (2mm Ballstud Spacing)		

### Drivetrain:

Differential:	Ball Diff: <input type="checkbox"/>		
Height:	2	Gear Diff:	<input checked="" type="checkbox"/>
Diff Setting:	2-Gear LTC Metal; #5461 FT 200k		
Notes:			

### Slipper Clutch:

Type:	#92450 & 91803 Kit
# of Pads:	#92286 FT Octalock LCF x 2
Setting:	Very Tight For Triple
Notes:	#91801 RC10B6.1 Slipper Spring

### Shocks:

	Front	Rear
Piston:	2 x 1.7	2 x 1.9
Thickness:	#91933 2.5mm	#92428 2.5mm
Fluid:	#5473 FT 32.5wt	#5473 FT 32.5wt
Spring:	1Up Blue	Core RC Black
Limiters:	Int: 0mm Ext: 1mm	Int: 3mm Ext: 1mm
Stroke:	23.5mm	27.5mm
Eyelet:	0mm	+2mm
Cup Offset:	0 <input type="checkbox"/> +5 <input checked="" type="checkbox"/> +9 <input type="checkbox"/>	0 <input type="checkbox"/> +5 <input type="checkbox"/> +9 <input type="checkbox"/>
Kashima Bodies:	<input checked="" type="checkbox"/>	Chrome Shafts: <input checked="" type="checkbox"/> Machined Spacers: <input checked="" type="checkbox"/>
Notes:	Schumacher Rear Spring Cups Required	



### Track Info:

Size:	Medium
Surface:	Thick Black Carpet
Traction:	Very High Grip
Moisture:	None
Condition:	Fuzzy
Temperature:	65F
Notes:	

### Tires:

Front Tires:	Proline Harpoon (Glued Sidewalls)
Front Compound:	CR4
Front Insert:	None
Rear Tires:	Proline Harpoon
Rear Compound:	CR4
Rear Insert:	Proline Full White
Wheel (F/R):	#9690 & #9695 Team Associated 12mm
Notes:	

### Body, Weight:

Body:	#92423 FT Lightweight RC10B7
Front Wing:	None
Rear Wing:	Proline Axis
Wing Angle:	0° <input type="checkbox"/> 3° <input type="checkbox"/> 6° <input checked="" type="checkbox"/>
Chassis Length:	#92400 RC10B7
Servo Weights:	None
Electronic Weights:	#91977 FT Steel
Total Vehicle Weight:	1479g

### Vehicle Comments:

Notes:	1up Ti Screws & Tierods
	#91750, 91751, 91752 & 91753 FT Titanium Ballstuds
	#92402 FT Side Rails, Carbon
	#92406 FT Gearbox, Carbon
	#92404 FT Top Plate & Ballstud Mount, Carbon