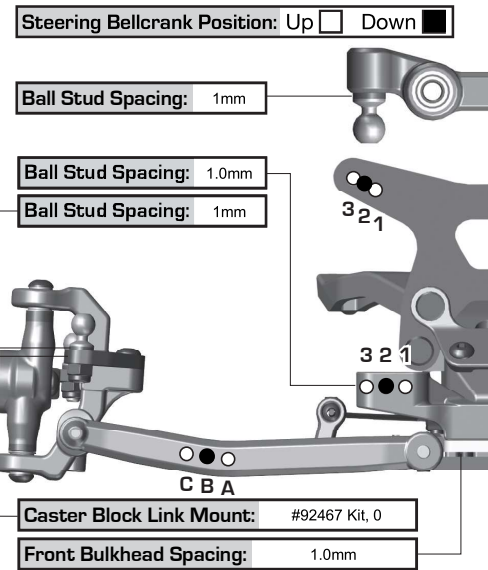
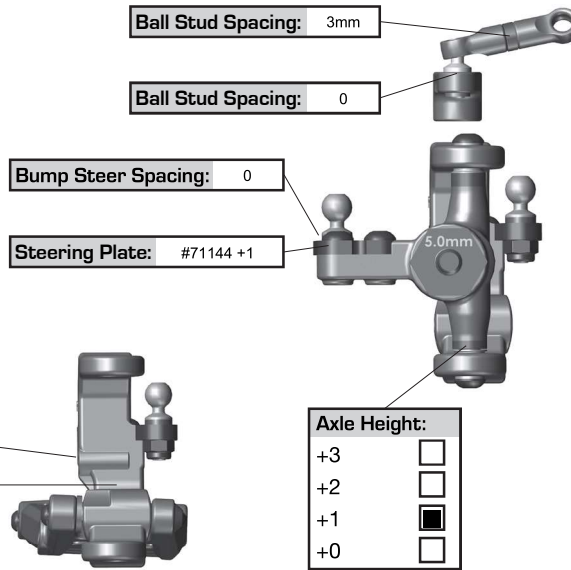


Front Suspension:

Reset Forms

| | |
|------------------------|---|
| Ride Height: | 17mm |
| Camber: | -1.5 |
| Toe: | 0.5 deg out |
| Anti-Roll Bar: | None |
| Arm Type: | #92410 Kit |
| Tower Type: | #92430 Kit |
| Wheel Hex: | #91609 FT Clamping, 5mm |
| Steering Block KPI: | Kit - 4 Trail / KPI 2 |
| Caster Block Insert: | 0 <input type="checkbox"/> -2.5 <input type="checkbox"/> -5 <input checked="" type="checkbox"/> |
| Bulkhead Type: | #92436 FT 0° Aluminium |
| Kick-Up Angle: | -2.5 <input type="checkbox"/> 0 <input checked="" type="checkbox"/> +2.5 <input type="checkbox"/> |
| Steering Stop Spacing: | 0mm |
| Caster Block Spacing: | Fwd <input checked="" type="checkbox"/> Back <input type="checkbox"/> |
| Notes: | #71181 FT Hex Adaptor Front Axles, Titanium #91983 FT Steering Bellcranks, Aluminium |

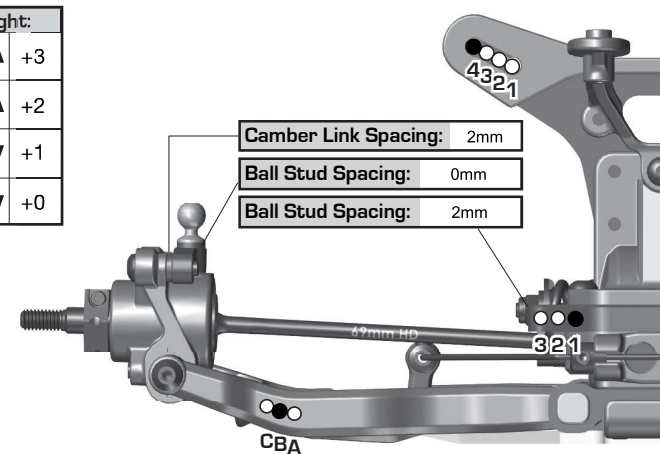
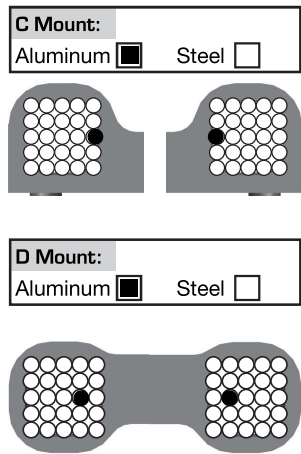


Axle Height:

| | |
|----|-------------------------------------|
| +3 | <input type="checkbox"/> |
| +2 | <input type="checkbox"/> |
| +1 | <input checked="" type="checkbox"/> |
| +0 | <input type="checkbox"/> |

Rear Suspension:

| | |
|----------------|--|
| Ride Height: | 17mm |
| Camber: | -1 |
| Anti-Roll Bar: | None |
| Arm Type: | #92408 Kit |
| Tower Type: | #92431 Kit |
| Arm Spacing: | Fwd <input checked="" type="checkbox"/> Mid <input type="checkbox"/> Back <input type="checkbox"/> |
| Wheel Hex: | #91609 FT Clamping, 5.0mm |
| Hub Type: | Std <input checked="" type="checkbox"/> HRC <input type="checkbox"/> |
| Hub Spacing: | Fwd <input checked="" type="checkbox"/> Mid <input type="checkbox"/> Back <input type="checkbox"/> |
| Drive Shaft: | CVA's <input checked="" type="checkbox"/> Universals <input type="checkbox"/> |
| Notes: | |



Electronics:

| | | | | |
|----------------|---|----------|----------------------|---|
| Radio: | M17 | Servo: | #27155 Reedy RT2007A | |
| EPA: Throttle: | N/A | % Brake: | N/A | % |
| ESC: | #27017 Reedy Blackbox 610R | | | |
| ESC Settings: | Expert Mode | | | |
| Motor / Wind: | #27492 Reedy Sonic M4 6.5T | Timing: | 20° | |
| Pinion: | #1341 FT 23T | Spur: | #92295 Octalock 78T | |
| Battery Mount: | Std <input checked="" type="checkbox"/> Offset <input type="checkbox"/> | | | |
| Battery: | #27396 Reedy Zapper 4800 | Weight: | 0 | |
| Notes: | #1370 FT Servo Horn, 25T (2mm Ballsud Spacing) | | | |

Drivetrain:

| | | | |
|------------------------|--|------------|--------------------------|
| Differential: | Ball Diff: <input checked="" type="checkbox"/> | | |
| Height: | 0 | Gear Diff: | <input type="checkbox"/> |
| Diff Setting: | | | |
| Notes: | | | |
| Slipper Clutch: | | | |
| Type: | #92450 & #91803 Kit | | |
| # of Pads: | #92285 FT Octalock LCF x 2 | | |
| Setting: | Front Tires Lift 5mm | | |
| Notes: | | | |

Shocks:

| | Front | Rear |
|-----------------|---|---|
| Piston: | 2 x 1.9 (Drilled) | 2 x 1.9 (Drilled) |
| Thickness: | #91938 2.0mm | #91938 2.0mm |
| Fluid: | #5476 FT 40wt | #5472 FT 30wt |
| Spring: | #91942 Blue 13mm | #91950 Blue 13mm |
| Limiters: | Int: 0 Ext: 0 | Int: 0 Ext: 0 |
| Stroke: | 24mm | 28.5mm |
| Eyelet: | 0mm | +4mm |
| Cup Offset: | 0 <input type="checkbox"/> +5 <input checked="" type="checkbox"/> +9 <input type="checkbox"/> | 0 <input type="checkbox"/> +5 <input type="checkbox"/> +9 <input type="checkbox"/> |
| Kashima Bodies: | <input checked="" type="checkbox"/> | Chrome Shafts: <input checked="" type="checkbox"/> Machined Spacers: <input type="checkbox"/> |
| Notes: | | |

Track Info:

| | |
|--------------|--------|
| Size: | Medium |
| Surface: | Cork |
| Traction: | Low |
| Moisture: | N/A |
| Condition: | |
| Temperature: | |
| Notes: | |

Tires:

| | |
|-----------------|------------------------------------|
| Front Tires: | Schumacher Honeycomb |
| Front Compound: | Yellow |
| Front Insert: | KWF 4wd (Control) |
| Rear Tires: | Schumacher Honeycomb |
| Rear Compound: | Yellow |
| Rear Insert: | KWF Rear (Control) |
| Wheel (F/R): | #9690 & #9695 Team Associated 12mm |
| Notes: | |

Body, Weight:

| | |
|-----------------------|--|
| Body: | #92423 FT Lightweight RC10B7 |
| Front Wing: | None |
| Rear Wing: | #92492 FT Lightweight RC10B7 |
| Wing Angle: | 0° <input type="checkbox"/> 3° <input type="checkbox"/> 6° <input checked="" type="checkbox"/> |
| Chassis Length: | #92400 RC10B7 |
| Servo Weights: | N/A |
| Electronic Weights: | #91977 FT Aluminium |
| Total Vehicle Weight: | 1510g |

Vehicle Comments:

| | |
|--------|-----------------------------------|
| Notes: | #92360 FT Titanium Turnbuckle Set |
| | |
| | |
| | |
| | |