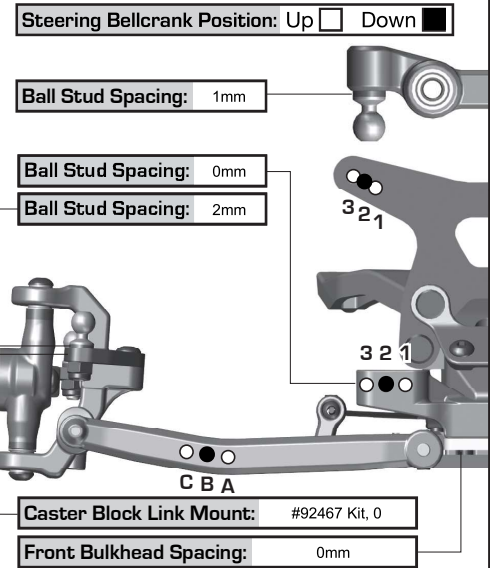
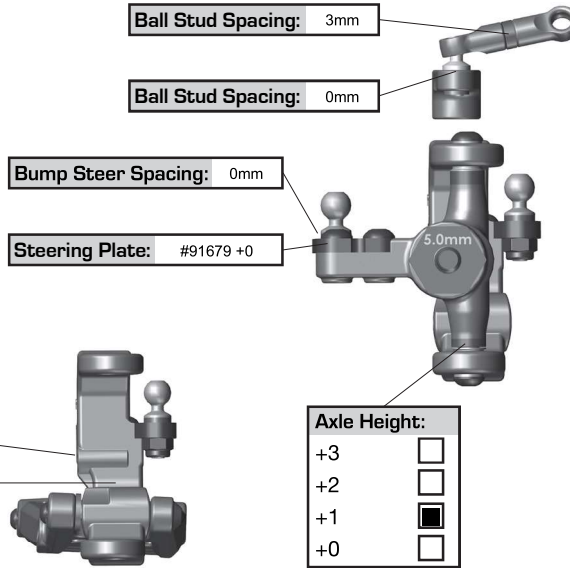


### Front Suspension:

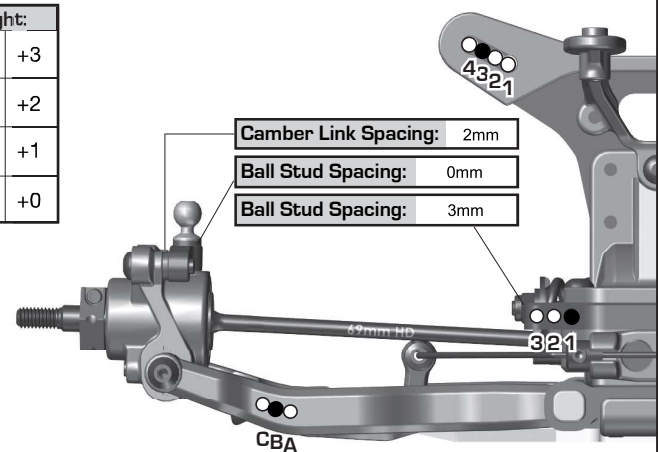
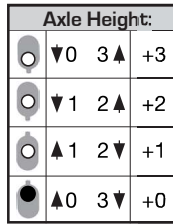
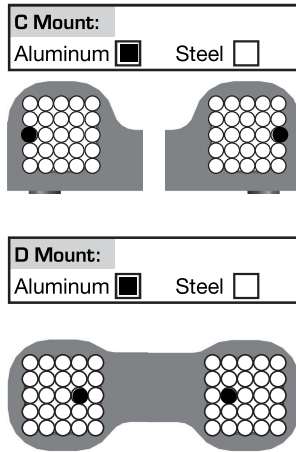
**Reset Forms**

Ride Height:	13mm
Camber:	-1
Toe:	0
Anti-Roll Bar:	1.0mm
Arm Type:	#92410 Kit
Tower Type:	#92430 Kit
Wheel Hex:	#91609 FT Clamping, 5.0mm
Steering Block KPI:	#92414 Kit - 4 Trail / KPI 3
Caster Block Insert:	0 <input type="checkbox"/> -2.5 <input type="checkbox"/> -5 <input checked="" type="checkbox"/>
Bulkhead Type:	#92436 FT 0°, Aluminum
Kick-Up Angle:	-2.5 <input type="checkbox"/> 0 <input checked="" type="checkbox"/> +2.5 <input type="checkbox"/>
Steering Stop Spacing:	0mm
Caster Block Spacing:	Fwd <input checked="" type="checkbox"/> Back <input type="checkbox"/>
Notes:	#91983 FT Steering Bellcranks, Aluminum



### Rear Suspension:

Ride Height:	13mm
Camber:	-1
Anti-Roll Bar:	1.2
Arm Type:	#92408 Kit
Tower Type:	#92431 Kit
Arm Spacing:	Fwd <input type="checkbox"/> Mid <input type="checkbox"/> Back <input checked="" type="checkbox"/>
Wheel Hex:	#91609 FT Clamping, 5.0mm
Hub Type:	Std <input checked="" type="checkbox"/> HRC <input type="checkbox"/>
Hub Spacing:	Fwd <input type="checkbox"/> Mid <input type="checkbox"/> Back <input checked="" type="checkbox"/>
Drive Shaft:	CVA's <input checked="" type="checkbox"/> Universals <input type="checkbox"/>
Notes:	



### Electronics:

Radio:	Sanwa	Servo:	#27119 Reedy RT1705A
EPA: Throttle:	100 %	Brake:	100 %
ESC:	#27017 Reedy Blackbox 610R		
ESC Settings:	See Setup Sheet		
Motor / Wind:	#27446 Reedy Sonic M4 5.5T	Timing:	25°
Pinion:	#1339 FT 21T	Spur:	#92295 Octalock 78T
Battery Mount:	Std <input checked="" type="checkbox"/> Offset <input type="checkbox"/>		
Battery:	#27396 Reedy Zapper 4800	Weight:	#27355 34g Reedy Battery Weight
Notes:	#1370 FT Servo Horn, 25T (2mm Ballstud Spacing)		

### Drivetrain:

Differential:	Ball Diff: <input type="checkbox"/>		
Height:	2	Gear Diff:	<input checked="" type="checkbox"/>
Diff Setting:	#5458 FT 60K		
Notes:	4-Gear LTC Metal		

### Slipper Clutch:

Type:	#92450 & 91803 Kit
# of Pads:	#92285 FT Octalock LCF x 2
Setting:	Front Tires Almost Lift
Notes:	

### Shocks:

	Front	Rear
Piston:	2 x 1.8	2 x 1.9 (Drilled)
Thickness:	#91938 2.0mm	#91938 2.0mm
Fluid:	#5476 FT 40wt	#5472 FT 30wt
Spring:	#91945 13mm Orange	#91951 13mm Yellow
Limiters:	Int: 0 Ext: 0	Int: 0 Ext: 0
Stroke:	22mm	28mm
Eyelet:	+2	+4
Cup Offset:	0 <input type="checkbox"/> +5 <input checked="" type="checkbox"/> +9 <input type="checkbox"/>	0 <input type="checkbox"/> +5 <input type="checkbox"/> +9 <input type="checkbox"/>
Kashima Bodies:	<input type="checkbox"/>	Chrome Shafts: <input checked="" type="checkbox"/> Machined Spacers: <input checked="" type="checkbox"/>
Notes:		



### Track Info:

Size:	Medium
Surface:	EOS Carpet
Traction:	High
Moisture:	
Condition:	Indoors
Temperature:	
Notes:	

### Tires:

Front Tires:	Schumacher Fusion Slim Glued Down
Front Compound:	Yellow
Front Insert:	None
Rear Tires:	Schumacher Cactus
Rear Compound:	Yellow
Rear Insert:	Cragg RC
Wheel (F/R):	#9690 & 9695 Team Associated 12mm
Notes:	Sidewall Glued To Top Of Stagger

### Body, Weight:

Body:	#92423 FT Lightweight RC10B7
Front Wing:	#92425 Team Associated RC10B7
Rear Wing:	JConcepts 7" Aero
Wing Angle:	0° <input type="checkbox"/> 3° <input type="checkbox"/> 6° <input checked="" type="checkbox"/>
Chassis Length:	#92400 RC10B7
Servo Weights:	None
Electronic Weights:	#91977 FT Aluminum
Total Vehicle Weight:	N/A

### Vehicle Comments:

Notes:	