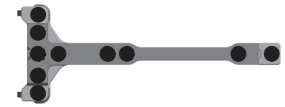


Front Suspension:

Ride Height:	17 mm
Camber:	-1°
Toe:	Tierod Gap = 19.2 mm
Anti-Roll Bar:	1.2 mm
Arm Type:	#92128 Suspension Arm, Standard
Wheelbase Shim:	Behind Arm
Wheel Hex:	#91609 FT Clamping Wheel Hex, 5mm
Caster Block:	8° <input type="checkbox"/> 9° <input checked="" type="checkbox"/> 10° <input type="checkbox"/>
Chassis Brace:	Plastic <input checked="" type="checkbox"/> Carbon <input type="checkbox"/>
Top Plate Brace:	Yes <input checked="" type="checkbox"/> No <input type="checkbox"/>
Front Axles:	CVA <input type="checkbox"/> DCV <input checked="" type="checkbox"/>
Notes:	



Front Chassis Brace Screws:



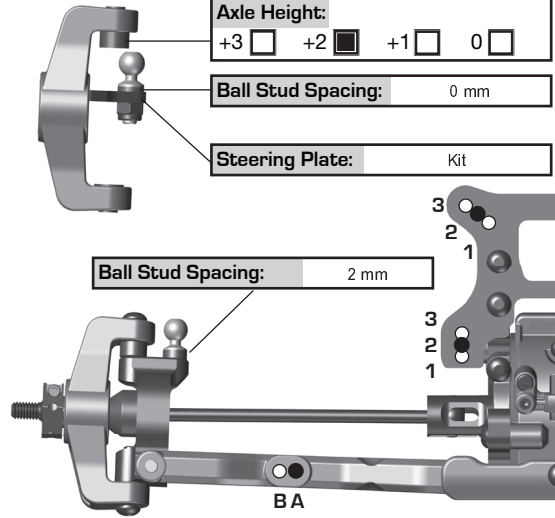
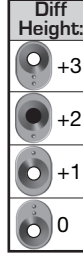
Arm Mount A: 1° 0.5°



Arm Mount B: 1° 0.5°



Ball Stud Spacing: 1 mm



Rear Suspension:

Ride Height:	17 mm
Camber:	-1°
Anti-Roll Bar:	1.3 mm
Arm Type:	#92130 Suspension Arm, Standard
Wheelbase Shim:	2 mm Front / 0 mm Rear
Wheel Hex:	#91609 FT Clamping Wheel Hex, 5mm
CVA Bone Length:	#92205 62 mm
Chassis Brace:	Plastic <input checked="" type="checkbox"/> Carbon <input type="checkbox"/>
Hub Spacing:	Fwd <input type="checkbox"/> Mid <input checked="" type="checkbox"/> Back <input type="checkbox"/>
Notes:	

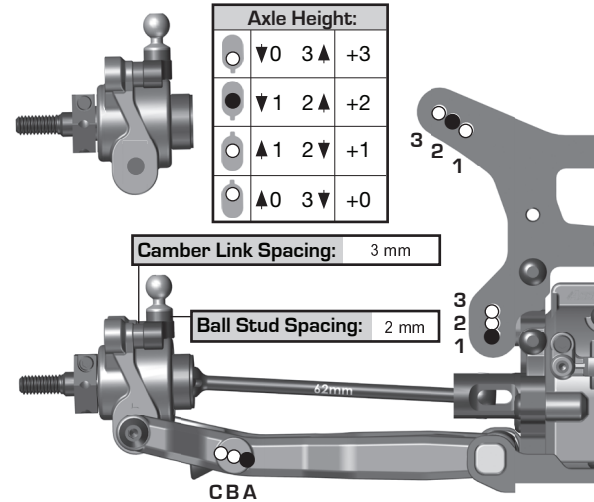
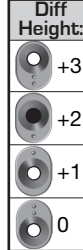
Rear Chassis Brace Screws:



Arm Mount C: 1° 0.5°



Arm Mount D: 1° 0.5°



Electronics:

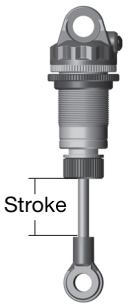
Radio:	Futaba 7PX	Servo:	Savox 1258
EPA: Throttle:	100 %	Brake:	92 %
ESC:	Hobbywing XR10 Pro G2		
ESC Settings:	N/A		
Motor:	Hobbywing		
Wind:	5.5	Timing:	30°
Pinion:	18	Spur:	78
Battery:	ProTek 4900 mAh		
Battery Position:	1 <input type="checkbox"/> 2 <input checked="" type="checkbox"/> 3 <input type="checkbox"/> 4 <input type="checkbox"/>		

Differential:

Front Fluid:	7K	Mass:	N/A
Gears:	Plastic <input type="checkbox"/> Metal <input checked="" type="checkbox"/>		
Center Fluid:	200K	Mass:	N/A
Gears:	Plastic <input type="checkbox"/> Metal <input checked="" type="checkbox"/>		
Rear Fluid:	7K	Mass:	N/A
Gears:	Plastic <input type="checkbox"/> Metal <input checked="" type="checkbox"/>		
Slipper Clutch:			
Setting:	N/A		
Pads:	N/A		

Shocks:

	Front	Rear
Piston:	#91626 2x1.6 Flat Machined	#91627 2x1.7 Flat Machined
Fluid:	#5429 FT 35 wt	#5422 FT 30 wt
Spring:	#91834 Yellow V2	#91840 Blue V2
Limiters:	0 mm In / 1 mm Out	0 mm In / 1 mm Out
Stroke:	24 mm	30 mm
Eyelet Length:	Long	Long
Cup Offset:	9 mm	5 mm
Notes:	#91494 FT Machined Shock Spacers	



Track Info:

Size:	Small <input type="checkbox"/> Medium <input type="checkbox"/> Large <input checked="" type="checkbox"/> Extra Large <input type="checkbox"/>
Surface:	Dirt <input type="checkbox"/> Carpet <input checked="" type="checkbox"/> Astroturf <input type="checkbox"/> Multi Surface <input type="checkbox"/>
Traction:	Low <input type="checkbox"/> Medium <input type="checkbox"/> High <input type="checkbox"/> Very High <input type="checkbox"/>
Moisture:	Dry <input type="checkbox"/> Damp <input checked="" type="checkbox"/> Wet <input type="checkbox"/>
Condition:	Indoor <input checked="" type="checkbox"/> Outdoor <input type="checkbox"/> Dusty <input type="checkbox"/> Hard Packed <input type="checkbox"/> Bumpy <input checked="" type="checkbox"/> Grooved <input checked="" type="checkbox"/> Smooth <input type="checkbox"/> Loamy <input type="checkbox"/>
Temperature:	Ambient: 70F Track: 70F
Notes:	

Tires:

Front Tires:	JConcepts Ellipse
Front Compound:	Aqua
Front Insert:	JConcepts Dirt Tech
Rear Tires:	JConcepts Ellipse
Rear Compound:	Aqua
Rear Insert:	JConcepts Dirt Tech
Wheel (F/R):	JConcepts Mono
Notes:	

Body, Wing, Weight:

Body:	#92251 Team Associated B74 Kit (Lightweight)
Wing:	JConcepts S-Type
Front Wing:	Yes <input checked="" type="checkbox"/> No <input type="checkbox"/>
Wing Angle:	0° <input type="checkbox"/> 6° <input checked="" type="checkbox"/>
Weights:	
Total Vehicle Weight:	1770g

Vehicle Comments:

Notes: #91569 & #91578 FT Fox Shock Bodies; #91643 & #91645 FT Chrome Shock Shafts; #1368 FT Clamping Servo Horn, 25T, 20mm