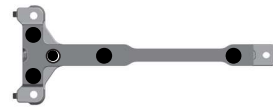


## Front Suspension:

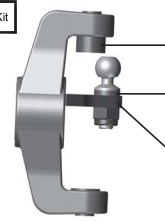
**RESET**

<b>Ride Height:</b>	16mm (Body On)
<b>Camber:</b>	-2 (Tierod Gap = 20.5)
<b>Toe:</b>	Tierod Gap = 17.3mm
<b>Anti-Roll Bar:</b>	1.3mm
<b>Arm Type:</b>	#92328 FT Gullwing, Carbon
<b>Tower Type:</b>	#92314 Kit
<b>Wheelbase Shim:</b>	0.5mm Behind Arm
<b>Wheel Hex:</b>	#91862 FT Hex, 4.0mm
<b>Caster Block:</b>	8° <input checked="" type="checkbox"/> 9° <input type="checkbox"/> 10° <input type="checkbox"/>
<b>Chassis Brace Support:</b>	#92284 FT Carbon, 2mm
<b>Top Plate Brace:</b>	#92321 FT Top Plate
<b>Front Axles:</b>	CVA <input checked="" type="checkbox"/> DCV <input type="checkbox"/>
<b>Notes:</b>	#92300 FT Chassis Braces, Carbon Use 4.0mm Hex With JConcepts Front Wheel 3353w Use 5.0mm Hex With #92362 Team Associated +1.5mm Wheel

### Front Chassis Brace Screws:



### Steering Rack:



<b>Axle Height:</b>	+3 <input type="checkbox"/> +2 <input checked="" type="checkbox"/> +1 <input type="checkbox"/> 0 <input type="checkbox"/>
<b>Ball Stud Spacing:</b>	0
<b>Steering Plate:</b>	#92373 FT Steering Plate, +2

### Arm Mount A:



### Ball Stud Spacing:



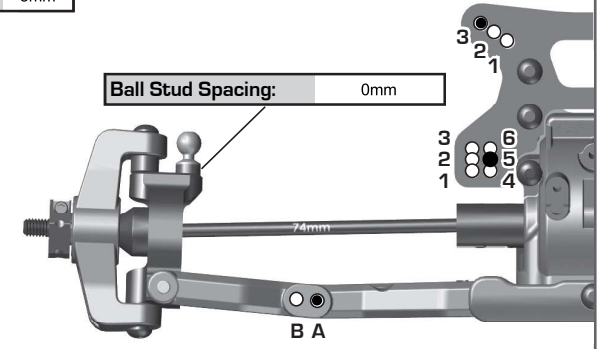
<b>Ball Stud Spacing:</b>	0mm
---------------------------	-----

### Arm Mount B:



### Diff Height:

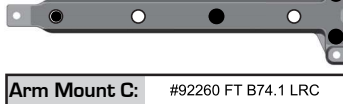
+2	<input type="checkbox"/>
+0	<input checked="" type="checkbox"/>



## Rear Suspension:

<b>Ride Height:</b>	16mm (Body On)
<b>Camber:</b>	-2°
<b>Anti-Roll Bar:</b>	1.3mm
<b>Arm Type:</b>	#92298 FT B74, Carbon
<b>Wheelbase Shim:</b>	2mm Behind (Arms Forward)
<b>Wheel Hex:</b>	#71034 FT Clamping Hex, 6.0mm
<b>Chassis Brace Support:</b>	#92284 FT Carbon, 2mm
<b>Hub Spacing:</b>	Fwd <input type="checkbox"/> Mid <input checked="" type="checkbox"/> Back <input type="checkbox"/>
<b>Notes:</b>	#92300 FT Chassis Braces, Carbon

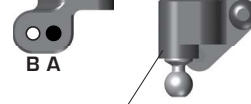
### Rear Chassis Brace Screws:



### Diff Height:

+3	<input type="checkbox"/>
+2	<input type="checkbox"/>
+1	<input type="checkbox"/>
+0	<input checked="" type="checkbox"/>

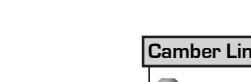
### Vertical Ball Stud Mount:



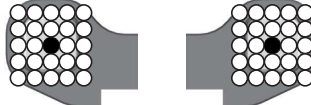
### Arm Mount C:



### Ball Stud Spacing:



### Arm Mount D:



### Axle Height:

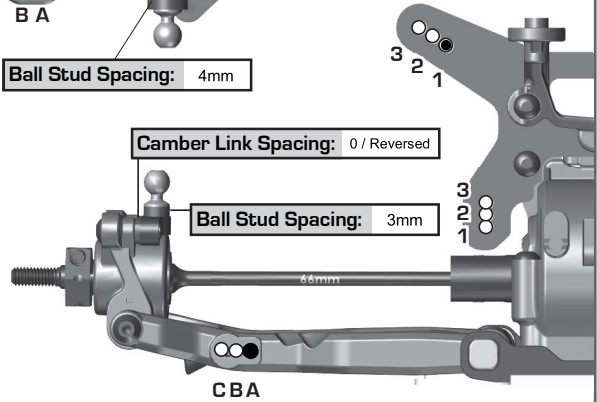
▼0 3▲	+3
▼1 2▲	+2
▲1 2▼	+1
▲0 3▼	+0

### Camber Link Spacing:

Camber Link Spacing:	0 / Reversed
----------------------	--------------

### Ball Stud Spacing:

Ball Stud Spacing:	3mm
--------------------	-----



## Electronics:

<b>Radio:</b>	Futaba T10PX	<b>Servo:</b>	Savox SB-2262
<b>EPA: Throttle:</b>	98 %	<b>Brake:</b>	82 %
<b>ESC:</b>	XR10 Pro G2s		
<b>ESC Settings:</b>	See Setup Sheet		
<b>Motor / Wind:</b>	Hobbywing 6.0T	<b>Timing:</b>	30°
<b>Pinion:</b>	#1338 FT 20T	<b>Spur:</b>	#92149 78T
<b>Battery:</b>	Protek 4800		
<b>Battery Position:</b>	Back <input type="checkbox"/> 2 <input checked="" type="checkbox"/> 3 <input type="checkbox"/> 4 <input type="checkbox"/> Forward		
<b>Battery Weight:</b>	None		

## Differential:

	Front	Center	Rear
<b>Fluid:</b>	#5456 FT 20k	#5461 FT 200k	#5455 FT 10k
<b>Gears:</b>	#92307 Plastic	#92076 Plastic	#92307 Plastic
<b>Type:</b>	LTC	HTC	LTC
<b>Notes:</b>	#92318 FT Ring & Pinion, Molded		

## Slipper Clutch:

<b>Type:</b>	N/A
<b># of Pads:</b>	N/A
<b>Setting:</b>	N/A

## Shocks:

	Front	Rear
<b>Piston:</b>	1 x 1.7 + 1 x 1.8	2 x 1.9
<b>Thickness:</b>	#91933 FT 2.5mm	#92428 FT 2.5mm
<b>Fluid:</b>	#5475 FT 37.5wt	#5472 FT 30wt
<b>Spring:</b>	#91944 13mm, Red	#91840 12mm V2, Blue
<b>Limiters:</b>	Int: 0 Ext: 5mm	Int: 0 Ext: 3mm
<b>Stroke:</b>	24mm	29mm
<b>Eyelet Length:</b>	+0	-1 (Cut 0 Eyelet)
<b>Cup Offset:</b>	9mm	0mm
<b>Notes:</b>		



## Track Info:

<b>Size:</b>	Small <input type="checkbox"/> Medium <input checked="" type="checkbox"/> Large <input type="checkbox"/> Extra Large <input type="checkbox"/>
<b>Surface:</b>	Dirt <input checked="" type="checkbox"/> Carpet <input type="checkbox"/> AstroTurf <input type="checkbox"/> Multi Surface <input type="checkbox"/>
<b>Traction:</b>	Low <input type="checkbox"/> Medium <input checked="" type="checkbox"/> High <input type="checkbox"/> Very High <input type="checkbox"/>
<b>Moisture:</b>	Dry <input checked="" type="checkbox"/> Damp <input type="checkbox"/> Wet <input type="checkbox"/>
<b>Condition:</b>	Indoor <input checked="" type="checkbox"/> Outdoor <input type="checkbox"/> Bumpy <input type="checkbox"/> Smooth <input type="checkbox"/>
<b>Temperature:</b>	Ambient: 65F Track:
<b>Vehicle Comments:</b>	

## Tires:

<b>Front Tires / Compound / Insert / Wheel:</b>	JConcepts Smoothie2 / Silver / RM2 Black / JConcepts Mono
<b>Rear Tires / Compound / Insert / Wheel:</b>	JConcepts Smoothie2 / Silver / JConcepts Dirt Tech / JConcepts Mono
<b>Notes:</b>	Grip Doctor

## Body, Wing, Weight:

<b>Body:</b>	JConcepts S15
<b>Front Wing:</b>	Yes <input type="checkbox"/> No <input checked="" type="checkbox"/>
<b>Rear Wing:</b>	JConcepts Aero, 7"
<b>Wing Angle:</b>	0° <input type="checkbox"/> 6° <input checked="" type="checkbox"/>
<b>Wing Mount Height:</b>	0 <input checked="" type="checkbox"/> -2 <input type="checkbox"/>
<b>Total Vehicle Weight:</b>	