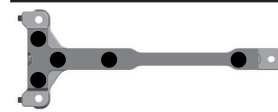


## Front Suspension:

RESET

Ride Height:	11 mm
Camber:	-1*
Toe:	+1*
Anti-Roll Bar:	1.8 mm
Arm Type:	#92328 FT B74 Gullwing, Carbon
Tower Type:	Factory Foote -2MM (Middle Camber Link)
Wheelbase Shim:	1 mm Behind Arm
Wheel Hex:	#91609 FT Clamping Hex, 5 mm
Caster Block:	8° <input type="checkbox"/> 9° <input type="checkbox"/> 10° <input checked="" type="checkbox"/>
Chassis Brace Support:	#92365 FT 2.5mm Carbon
Top Plate Brace:	#92321 FT Top Plate
Front Axles:	CVA <input checked="" type="checkbox"/> DCV <input type="checkbox"/>
Notes:	Spindles Ground For More Steering Throw

### Front Chassis Brace Screws:



### Steering Rack:

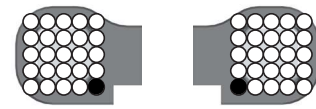


Axle Height: +3  +2  +1  0

Ball Stud Spacing: 0 mm

Steering Plate: #92375 FT Steering Arm, +1

### Arm Mount A:



### Ball Stud Spacing:



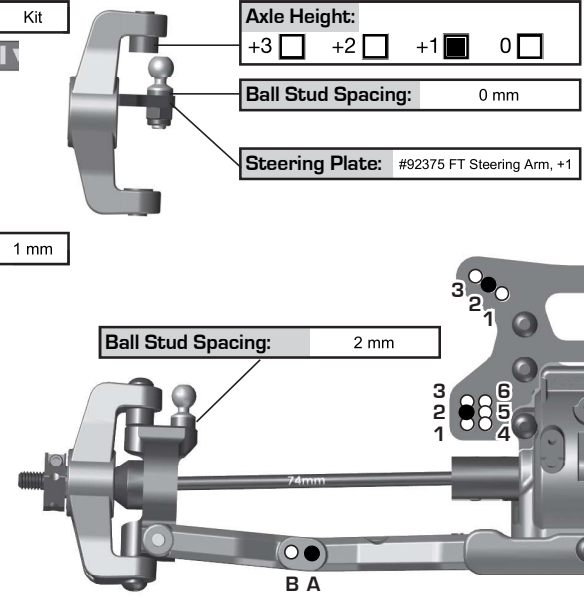
Ball Stud Spacing: 2 mm

### Arm Mount B:



### Diff Height:

+2   
+0



## Rear Suspension:

Ride Height:	12 mm
Camber:	-1*
Anti-Roll Bar:	2.0 mm
Arm Type:	#92298 FT B74, Carbon
Wheelbase Shim:	2 mm In Front Of Arm
Wheel Hex:	#91610 FT Clamping Hex, 7 mm
Chassis Brace Support:	#92365 FT 2.5mm Carbon
Hub Spacing:	Fwd <input type="checkbox"/> Mid <input checked="" type="checkbox"/> Back <input type="checkbox"/>
Notes:	Factory Foote -2MM (Middle Camber Link) Factory Foote B74.2 2mm Rear Diff/Hanger Shim Shocks Inverted

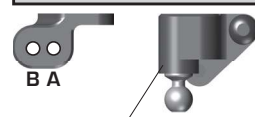
### Rear Chassis Brace Screws:



### Diff Height:

+3   
+2   
+1   
+0

### Vertical Ball Stud Mount:



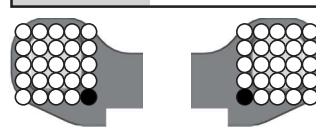
### Arm Mount C:



### Ball Stud Spacing:

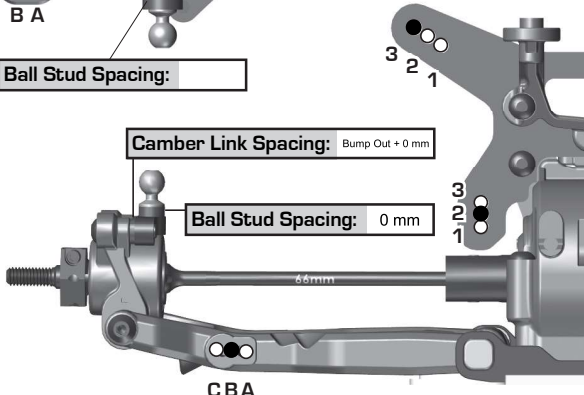
Camber Link Spacing: Bump Out +0 mm

### Arm Mount D:



### Axle Height:

▼0	3▲	+3
▼1	2▲	+2
▲1	2▼	+1
▲0	3▼	+0



## Electronics:

Radio:	Sanwa M17	Servo:	#27155 Reedy RT2007A
EPA: Throttle:	100 %	Brake:	95 %
ESC:	Reedy Blackbox 610R		
ESC Settings:	N/A		
Motor / Wind:	Reedy M4 / 4.5T	Timing:	20*
Pinion:	#1336 FT 18T	Spur:	#92295, 78T
Battery:	#27396 Reedy Zappers SG5 4800 LP		
Battery Position:	Back 1 <input type="checkbox"/> 2 <input type="checkbox"/> 3 <input type="checkbox"/> 4 <input checked="" type="checkbox"/> Forward		
Battery Weight:	None		

## Differential:

	Front	Center	Rear
Fluid:	50k	N/A	#5448 FT 80k
Gears:	4 x LTC	N/A	4 x LTC
Type:	Metal	N/A	Metal
Notes:	#92306 Gear Diff Meta Gears, LTC		

## Shocks:

	Front	Rear
Piston:	2 x 1.7	2 x 1.8
Thickness:	#91937 FT 2 mm	#91938 FT 2 mm
Fluid:	#5431 FT 55 wt	#5475 FT 37.5 wt
Spring:	#91835 Red V2	Core-RC High Response Black
Limiters:	Int: 2 Ext: 0	Int: 2 Ext: 0
Stroke:	21.0 mm	27.7 mm
Eyelet Length:	+2	+0
Cup Offset:	+2 mm	0 mm
Notes:	#91618 #91620 FT Chrome Shock Shafts	



## Slipper Clutch:

Type:	#92364 FT Decoupled Slipper (Very Tight)
# of Pads:	#92285 FT Slipper Pads, 11mm
Setting:	Front Tires Almost Lift

## Track Info:

Size:	Small <input type="checkbox"/> Medium <input type="checkbox"/> Large <input checked="" type="checkbox"/> Extra Large <input type="checkbox"/>
Surface:	Dirt <input type="checkbox"/> Carpet <input type="checkbox"/> Astroturf <input checked="" type="checkbox"/> Multi Surface <input type="checkbox"/>
Traction:	Low <input type="checkbox"/> Medium <input type="checkbox"/> High <input type="checkbox"/> Very High <input type="checkbox"/>
Moisture:	Dry <input type="checkbox"/> Damp <input checked="" type="checkbox"/> Wet <input type="checkbox"/>
Condition:	Indoor <input checked="" type="checkbox"/> Outdoor <input type="checkbox"/> Bumpy <input type="checkbox"/> Smooth <input checked="" type="checkbox"/>
Temperature:	Ambient: 70F Track: 70F
Vehicle Comments:	1Up Screw Kit & Tierods;

## Tires:

Front Tires / Compound / Insert / Wheel:	ProLine Prizim / CR4 / 1/2 Gray / Pro-Line Velocity XB4
Rear Tires / Compound / Insert / Wheel:	ProLine Prizim / CR4 / Gray / Pro-Line Velocity
Notes:	Glued front sidewalls Rear Foams Narrowed 5 mm

## Body, Wing, Weight:

Body:	ProLine Axis
Front Wing:	Yes <input type="checkbox"/> No <input checked="" type="checkbox"/>
Rear Wing:	#91741 B6 Wing
Wing Angle:	0° <input checked="" type="checkbox"/> 6° <input type="checkbox"/>
Wing Mount Height:	0 <input type="checkbox"/> -2 <input checked="" type="checkbox"/>
Total Vehicle Weight:	1665 g