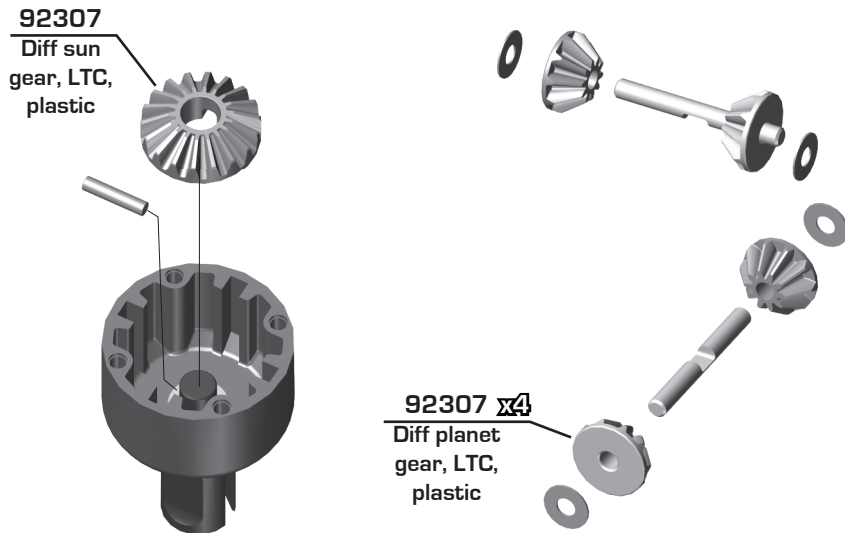
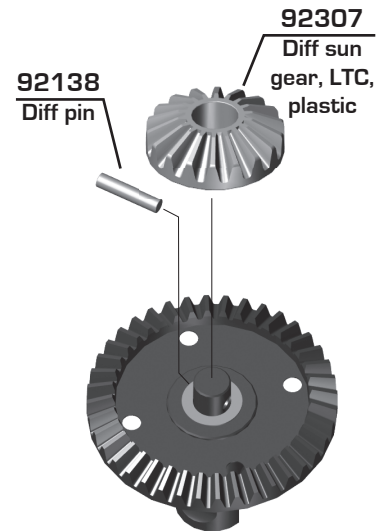


:: Bag 3 - Step 1



:: Bag 3 - Step 2

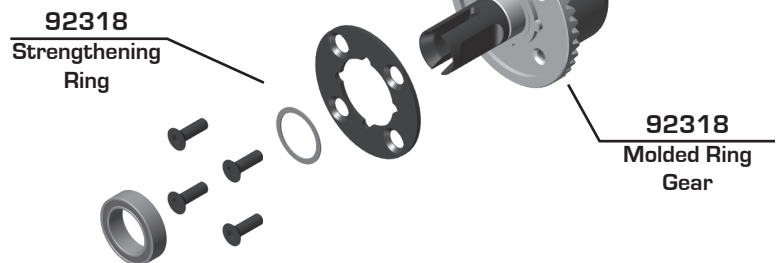


:: Bag 3 - Step 2

Remove the machined pinion gear and replace with molded pinion gear included in this set. Note that #92319 Pinion Gear Shim (5x6.5x1mm) will not be used with the molded pinion gear. Assemble molded ring gear and strengthening ring to diff case as shown below.

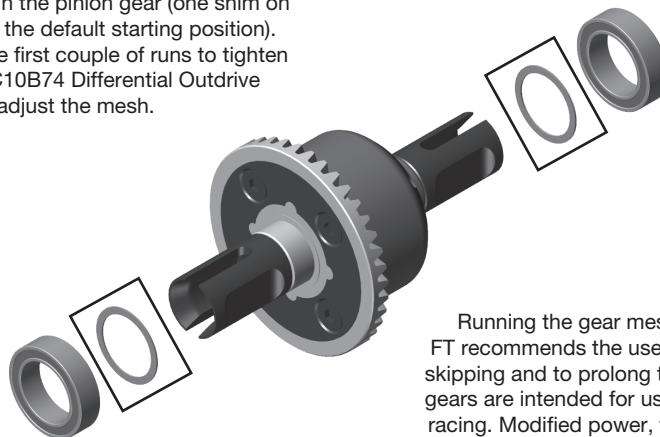


Be sure not to over-tighten the ring gear screws. This will lead to the gear warping.



:: Bag 4 - Steps 1, 3, and 4

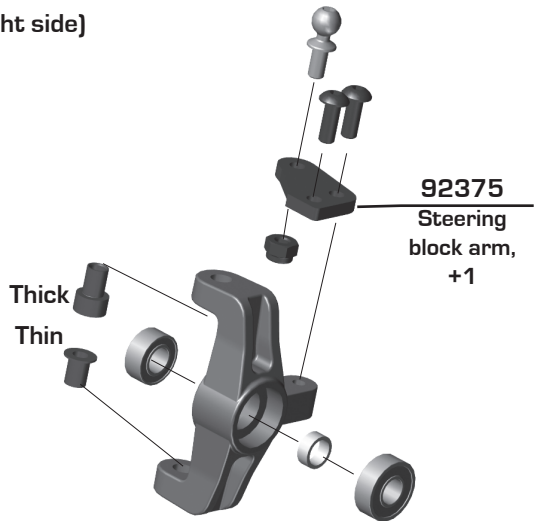
Both front and rear differentials should be shimmed tight from the start so that you can feel the teeth when you spin the pinion gear (one shim on both sides of the diff case side should be the default starting position). The gear mesh should be checked after the first couple of runs to tighten it back up if it has loosened. #92139 RC10B74 Differential Outdrive Shims can be used to finely adjust the mesh.



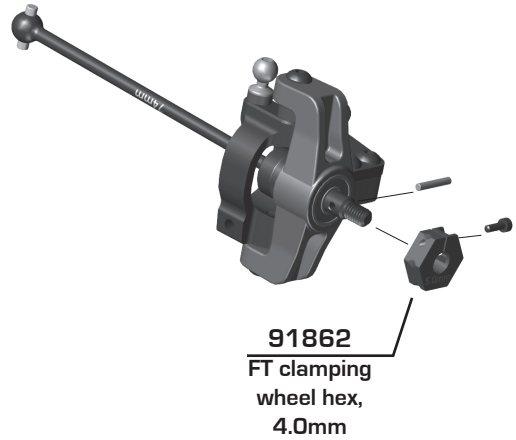
Running the gear mesh loose can result in premature failure. FT recommends the use of #6636 Silicone Grease to prevent gear skipping and to prolong the life of the gears. Please note that these gears are intended for use with a center differential and stock class racing. Modified power, the use of a slipper clutch, and running on carpet or astro turf can lead to early failure of these gears.

:: Bag 7 - Step 1

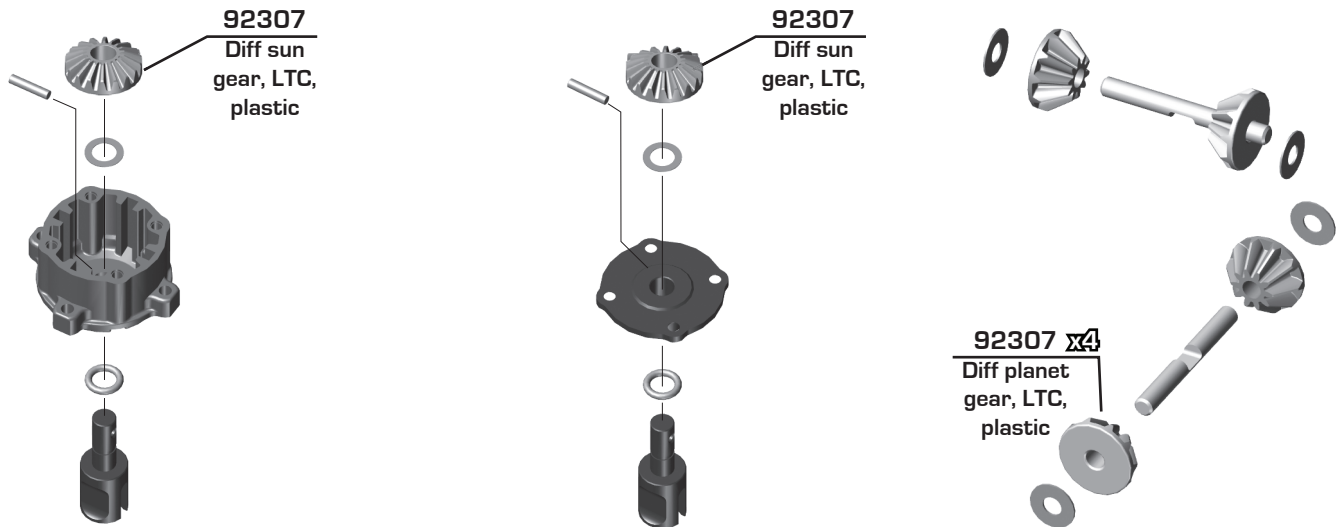
Build x2
(1 left side, 1 right side)



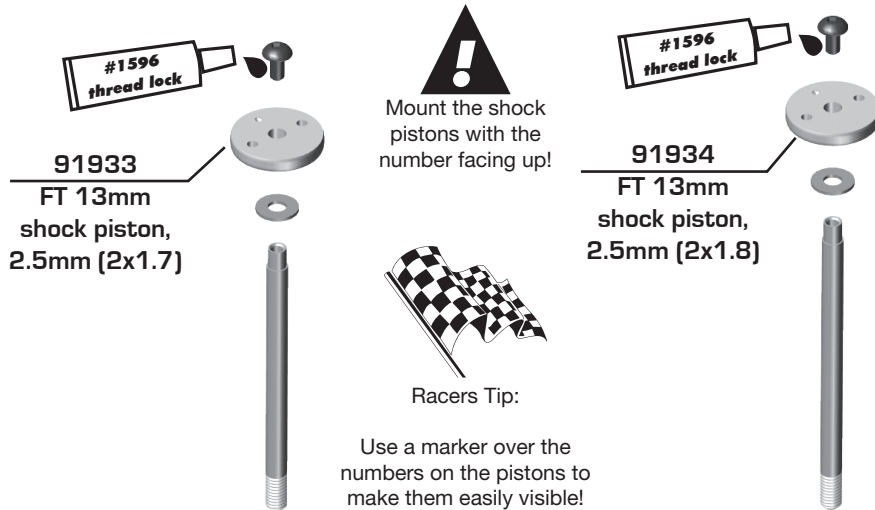
:: Bag 7 - Step 2



:: Bag 10 - Step 1



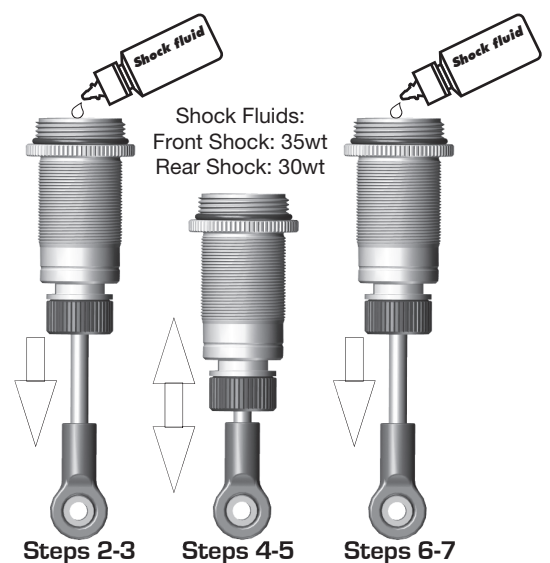
:: Bag 11 - Step 1



Build x2 front shocks

Build x2 rear shocks

:: Bag 11 - Step 4



Front Suspension:

Ride Height:	18mm
Camber:	-1deg
Toe:	1deg
Anti-Roll Bar:	1.2mm
Arm Type:	Gull Wing - Standard
Tower Type:	Gull Wing
Wheelbase Shim:	1mm behind arm
Wheel Hex:	4.0mm
Caster Block:	8° <input type="checkbox"/> 9° <input checked="" type="checkbox"/> 10° <input type="checkbox"/>
Chassis Brace Support:	2mm G10
Top Plate Brace:	None
Front Axles:	CVA <input checked="" type="checkbox"/> DCV <input type="checkbox"/>
Notes:	_____



Front Chassis Brace Screws: _____

Ball Stud Spacing: 3mm

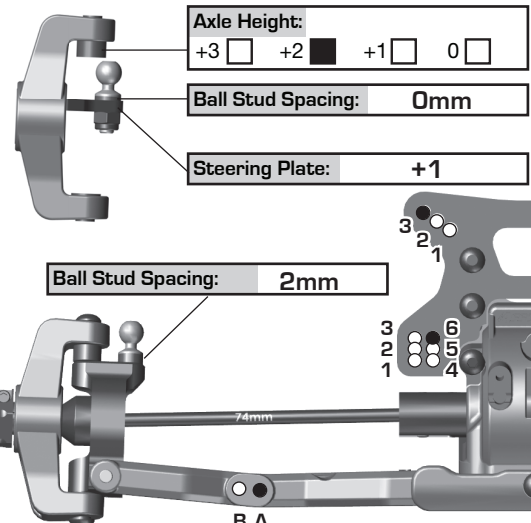


Arm Mount A: 1° 0.5°
 Gray Black

Diff Height:
 +2
 +0

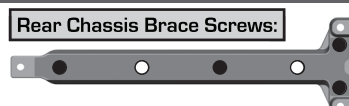


Arm Mount B: 1° 0.5°
 Gray Black



Rear Suspension:

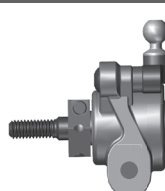
Ride Height:	18mm
Camber:	-1deg
Anti-Roll Bar:	1.3mm
Arm Type:	Standard
Wheelbase Shim:	2mm behind arm
Wheel Hex:	5.0mm
Chassis Brace Support:	2mm G10
Hub Spacing:	Fwd <input type="checkbox"/> Mid <input checked="" type="checkbox"/> Back <input type="checkbox"/>
Notes:	_____



Rear Chassis Brace Screws: _____

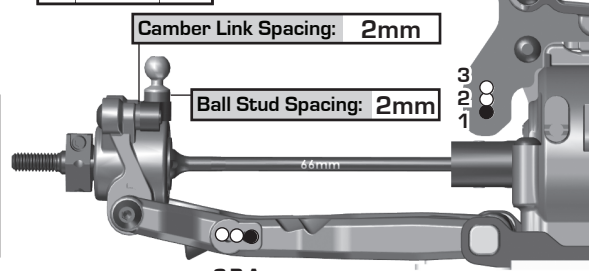


Arm Mount C: 1° 0.5°
 Gray Black



Axle Height:
 ▼0 3▲ +3
 ▼1 2▲ +2
 ▲1 2▼ +1
 ▲0 3▼ +0

Arm Mount D: 1° 0.5°
 Gray Black



Electronics:

Radio:	Servo:
EPA: Throttle: %	Brake: %
ESC:	
ESC Settings:	
Motor / Wind:	Timing:
Pinion:	Spur: 78T
Battery:	
Battery Position:	
Back 1 <input type="checkbox"/> 2 <input type="checkbox"/> 3 <input checked="" type="checkbox"/> 4 <input type="checkbox"/> Forward	
Battery Weight:	

Differential:

	Front	Center	Rear
Fluid:	10K	200K	10K
Gears:	Plastic	Plastic	Plastic
Type:	LTC	LTC	LTC
Notes:	Molded Ring and Pinion Gears		
Slipper Clutch:			
Type:			
# of Pads:			
Setting:			

Shocks:

	Front	Rear
Piston:	2x1.7	2x1.8
Thickness:	2.5mm	2.5mm
Fluid:	35wt	30wt
Spring:	Yellow	Blue
Limiters:	Int: ___ Ext: ___	Int: ___ Ext: ___
Stroke:	22mm	28.5mm
Eyelet Length:	+2	0
Cup Offset:	9mm	0mm
Notes:		



Track Info:

Size:	Small <input type="checkbox"/> Medium <input type="checkbox"/> Large <input type="checkbox"/> Extra Large <input type="checkbox"/>
Surface:	Dirt <input type="checkbox"/> Carpet <input type="checkbox"/> Astroturf <input type="checkbox"/> Multi Surface <input type="checkbox"/>
Traction:	Low <input type="checkbox"/> Medium <input type="checkbox"/> High <input type="checkbox"/> Very High <input type="checkbox"/>
Moisture:	Dry <input type="checkbox"/> Damp <input type="checkbox"/> Wet <input type="checkbox"/>
Condition:	Indoor <input type="checkbox"/> Outdoor <input type="checkbox"/> Dusty <input type="checkbox"/> Hard Packed <input type="checkbox"/> Bumpy <input type="checkbox"/> Grooved <input type="checkbox"/> Smooth <input type="checkbox"/> Loamy <input type="checkbox"/>
Temperature:	Ambient: _____ Track: _____
Notes:	_____
Vehicle Comments:	_____

Tires:

Front Tires:	_____
Front Compound:	_____
Front Insert:	_____
Rear Tires:	_____
Rear Compound:	_____
Rear Insert:	_____
Wheel (F/R):	_____
Notes:	_____

Body, Wing, Weight:

Body:	Kit - Lightweight
Front Wing:	Yes <input type="checkbox"/> No <input checked="" type="checkbox"/>
Rear Wing:	Kit
Wing Angle:	0° <input type="checkbox"/> 6° <input checked="" type="checkbox"/>
Wing Mount Height:	0 <input checked="" type="checkbox"/> -2 <input type="checkbox"/>
Servo Weights:	_____
Electronic Weights:	_____
Total Vehicle Weight:	_____

RC 1:10 B74.1D TEAM KIT

1:10 Scale 4WD Electric
Off Road Competition Buggy Kit



#90028 RC10B74.1D TEAM KIT

1:10 Scale 4WD Electric Off Road Competition Buggy Manual & Catalog



CHAMPIONS *by* DESIGN

AssociatedElectrics.com

TEAM ASSOCIATED

:: Introduction

Thank you for purchasing this Team Associated product. This assembly manual contains instructions and tips for building and maintaining your new vehicle. Please take a moment to read through the manual and familiarize yourself with the steps. We are continually changing and improving our designs; therefore, actual parts may appear slightly different than the illustrations. New parts will be noted on supplementary sheets located in the appropriate parts bags. Check each bag for these sheets before you start to build.

:: RC10B74.1 Team Kit Features

- Center differential with 72T and 78T spur gears and 200,000 CST silicone diff fluid
- Includes 1.2mm and 1.3mm anti-roll bars front and rear for dirt racing.
- 5.0mm rear hex adapters for maximum width stance with dirt tires.
- Includes updated kit setup with V2 spring package Yellow front, Blue rear spring
- Includes shorter 23mm front and 27.5mm V2 "Big Bore" threaded aluminum shocks with 12mm machined pistons and x-rings for lower CG, reduced weight, and improved performance
- New 4mm graphite front shock tower lowered by 2mm with an additional row of tuning holes.
- New 4mm graphite rear shock tower lowered by 5.5mm for maximum stability and predictability
- +3mm aluminum steering rack for optimized bump steer at low ride heights
- 66mm Rear CVA drive shafts and axles for more on-power traction and more predictable driving feel
- New molded ESC tray for quick electronics removal for cleaning
- New molded 30mm fan mount and hardware (fan not included)
- Updated aluminum LRC C and D suspension mounts for more rear traction and better cornering balance
- Increased flex with 2.0mm G10 chassis brace supports for more predictable rear traction and better bump handling
- New simplified design 2.5mm graphite battery strap with indexed battery locations, easy height setup and battery removal for both standard and low-profile shorty batteries
- New Low-Profile molded plastic battery posts included in addition to standard posts
- New 16mm length differential outdrives with a more durable, lightweight design
- Updated rear wing with optional low "carpet racing" trim line for reduced drag in high traction.
- Updated symmetric rear arm with new shock mounting position (farther inside) for increased rear traction on dirt
- Updated plastic rear hub for more durability on the upper link mount. RC10B74.1 hubs continue with the aluminum rear hub link mount and axle height adjustment in 1mm increments for fine tuning
- Updated 2.5mm graphite steering arms for increased durability
- Updated plastic steering blocks with 5x12mm outer ball bearing with steel bearing tubes for improved durability
- Updated V2 2mm hard anodized 7075-T6 aluminum chassis with spur gear clearance and updated mount holes for ESC tray
- 7075-T6 aluminum bulkheads with quick-change 0mm-3mm adjustable differential height for low ride-height on carpet while maintaining efficient driveshaft alignment.
- Car design allows use of center differential or slipper clutch without changing center driveshafts
- Easy access differentials for worry free maintenance and adjustment
- 7075-T6 aluminum arm mounts use inserts for fine tuning a large range of anti-squat, kick-up, and toe adjustments
- Front and rear anti-roll bars use a common shape for minimal spare part count
- 7075-T6 aluminum sliding motor mount and center bulkhead with increase rigidity for more accurate gear mesh
- 7075-T6 aluminum 9 degree caster blocks
- "Floating" servo mount with 7075-T6 aluminum mount and 2.5mm graphite brace
- Lightweight clear body and wing included

:: Additional

Your new B74.1 Team Kit comes unassembled and requires the following items for completion (refer to catalog section for suggestions):

- R/C two channel surface frequency radio system
- AA-size batteries for transmitter (#302 alkaline)
- Electronic Speed Control, ESC (#27002, 27003, 27004, 27005)
- Steering servo (#27115, 27112, 27113)
- R/C electric motor
- Pinion gear (48P), size determined by type/turn or kV of motor
- Battery charger
(a peak detection charger, or LiPo compatible charger)
- 2 cell LiPo battery pack (#27318, 27335, 27337)
- Polycarbonate specific spray paint
- Cyanoacrylate glue (CA)(#1597)
- Thread locking compound (#1596)
- Tires and Inserts, Fronts and Rears
- Wheels w/12mm Hex
Front Wheels #92095, #92096
Rear Wheels #9695, #9696

:: Other Helpful Items

- Silicone Shock Fluid (Refer to catalog for complete listings)
- FT Body Scissors (#1737)
- FT Hex/Nut Wrenches (#1519)
- FT Universal Tire Balancer (#1498)
- FT Dual Turnbuckle Wrench (#1114)
- FT Body Reamer (#1499)
- Needle Nose Pliers
- Calipers or a Precision Ruler
- Green Slime shock lube (#1105)
- Shock Pliers
- FT Ballcup Wrench (#1579)
- Soldering Iron
- Wire Cutters
- Hobby Knife


















Associated Electrics, Inc.
21062 Bake Parkway.
Lake Forest, CA 92630



Customer Service
Tel: 949.544.7500
Fax: 949.544.7501

:: Hardware - 1:1 Scale View








Button Head (bhcs)

	2x4mm (31510) Aluminum (8545)
	2.5x6mm (31520)
	2.5x8mm (31521)
	2.5x10mm (31522)
	3x4mm (91158)
	3x5mm (31530)
	3x6mm (31531) Titanium (91580)
	3x8mm (31532) Titanium (91581)
	3x10mm (25211) Titanium (91582)
	3x12mm (89202) Titanium (91583)
	3x14mm (25187) Titanium (91584)
	3x16mm (89203) Titanium (91585)
	3x18mm (2308)
	3x20mm (25188) Titanium (91587)
	3x22mm (25189) Titanium (91588)
	3x24mm (89204) Titanium (91589)
	3x30mm (91478)

Cap Head (shcs)

	1.6 x 5mm (91611)
--	-------------------





Flat Head (fhcs)

	2x3mm (91743)
	3x8mm (25201) Aluminum (8553) Titanium (91592)
	3x10mm (25202) Aluminum (8555) Titanium (91593)
	3x12mm (25203) Aluminum (8556) Titanium (91594)
	3x14mm (89208) Aluminum (8567) Titanium (91595)
	3x16mm (25204) Titanium (91596)
	3x18mm (89209) Titanium (91597)


Set Screws

	3x2.5mm (31500)
	3x3mm (25225)
	3x10mm (4671)






Shims and Washers

	5.5x0.5mm (31381)
	5.5x1.0mm (31382)
	5.5x2.0mm (31383)
	3x8mm Washer (89218)

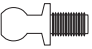
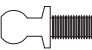



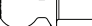
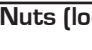

Diff Balls

	5/64 Diff Thrust Balls (6574)
	3/32 Carbide Diff Balls (6581)
	3/32 Ceramic Diff Balls (6584)





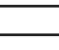





Ball Bearings

	4x7x2.5mm (31732)
	5x8x2.5mm (31400)
	5x10x4mm (91560)
	5x12x4 (91567)
	10x15x4 (91563)

Ballstuds

	Silver 5mm long (31283)
	Silver 8mm long (31284)
	HD 6mm (91047)
	Ti HD 6mm (91751)
	HD 8mm (91048)
	Ti HD 8mm (91752)
	HD 10mm (91049)
	Ti HD 10mm (91753)

Nuts (lock/plain)

	M3 Nut (91477)
	M3 Alum. Locknut, Blue (31550)
	M3 Locknut, Black (25215)
	M3 Locknut w/Flange (25612)
	FT 3mm Locknuts, Blue(25392)
	M4 Locknuts:
	Serrated Steel LP (91150)
	Serrated Steel (Silver) (91826)
	FT Aluminum (Blue) (31551)
	Serrated Aluminum (Black) (91738)

Notes:

:: Table of Contents

1.....	Cover	13.....	Rear Hubs Build Bag 8
2.....	Introduction	13.....	Turnbuckles Build Bag 9
3.....	1:1 Hardware “Fold Out”	15.....	Center Diff Build Bag 10
4.....	Table of Contents	16.....	Shocks Build Bag 11
5.....	Chassis Build Bag 1	17.....	Anti-Roll Bars Build Bag 12
5.....	Suspension Arms Build Bag 2	19.....	Electronics / Body Build Bag 13
6.....	Front / Rear Gear Differentials Build Bag 3	22.....	Tuning Tips
7.....	Front / Rear Gearbox Build Bag 4	24.....	Catalog
8.....	Bulkhead / Shock Tower Build Bag 5	32.....	Setup Sheet “Kit Setup”
10.....	Steering Build Bag 6	33.....	Setup Sheet “Blank”
12.....	Caster Blocks Build Bag 7	34.....	Back Cover

:: Notes



This symbol indicates a special note or instruction in the manual.



This symbol indicates a Racers Tip.



There is a 1:1 hardware foldout page in the front of the manual. To check the size of a part, line up your hardware with the correct drawing until you find the exact size. Each part in the foldout has a number assigned to it for ordering replacement parts.

Associated Electrics, Inc.
21062 Bake Parkway.
Lake Forest, CA 92630



Customer Service
Tel: 949.544.7500
Fax: 949.544.7501

:: Bag 1 - Step 1

REAR POST
L.P.

FRONT POST
STANDARD
L.P.

92242
Battery Post

25215
M3 Locknut

92113
Chassis Brace, Rear

92113
Chassis Brace, Front

92258
B74 Chassis, V2

25202 x2
3x10mm FHCS

92112 x2
Side Guards, (left & right)

25201 x4
3x8mm FHCS

25201 x7
3x8mm FHCS

!
Note, the 2 battery stops and 2nd battery post in bag 1 will be installed later in the manual, #92268 LP shorty battery post.

:: Bag 1 - Step 2

!
Some screw holes not used for increased flex on dirt.

31532 x7
3x8mm BHCS

92255
Chassis brace support, front (G10 2mm)

92255
Chassis brace support, rear (G10 2mm)

25211
3x10mm BHCS

92268
Fan Mount

Fan
(Not included)

89203 x2
3x16mm BHCS

92268
ESC Tray

31541 x2
3x6mm FHCS

:: Bag 2 - Step 1

92122
B74 Arm mount, B

92014 x2
Arm mount inserts

25201 x2
3x8mm FHCS

#1596
thread lock

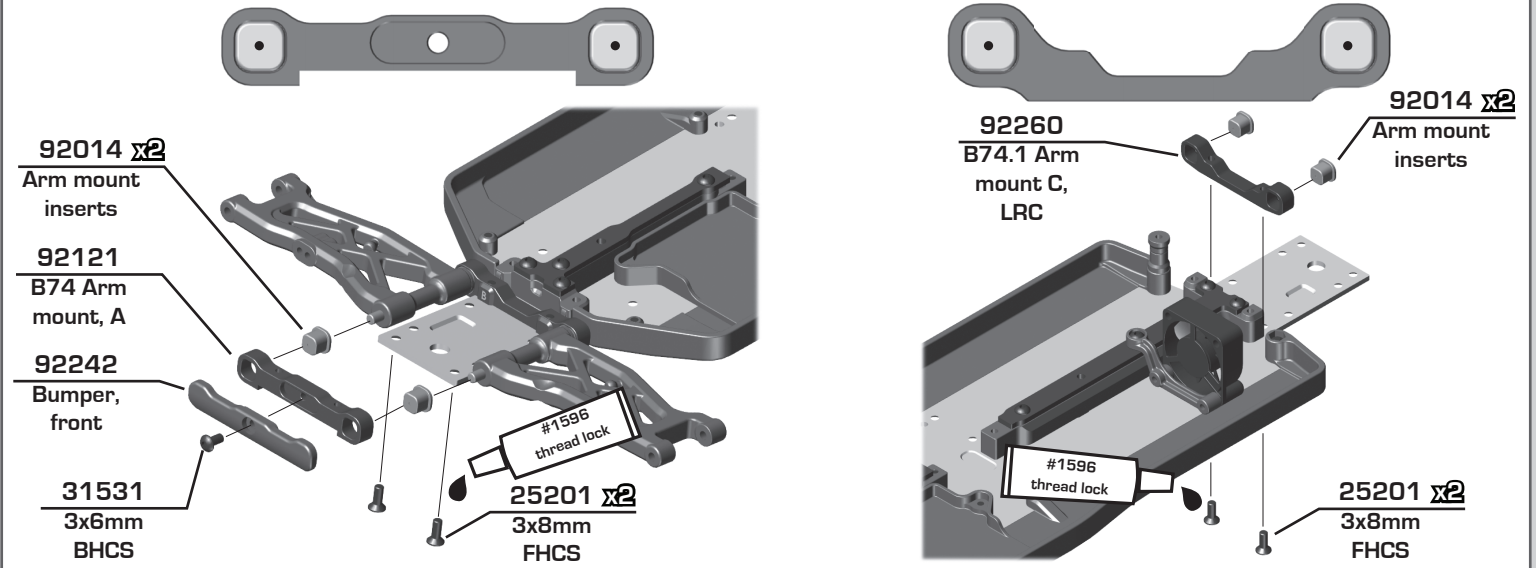
3.5x47.5mm

92128 x2
Suspension arm, front

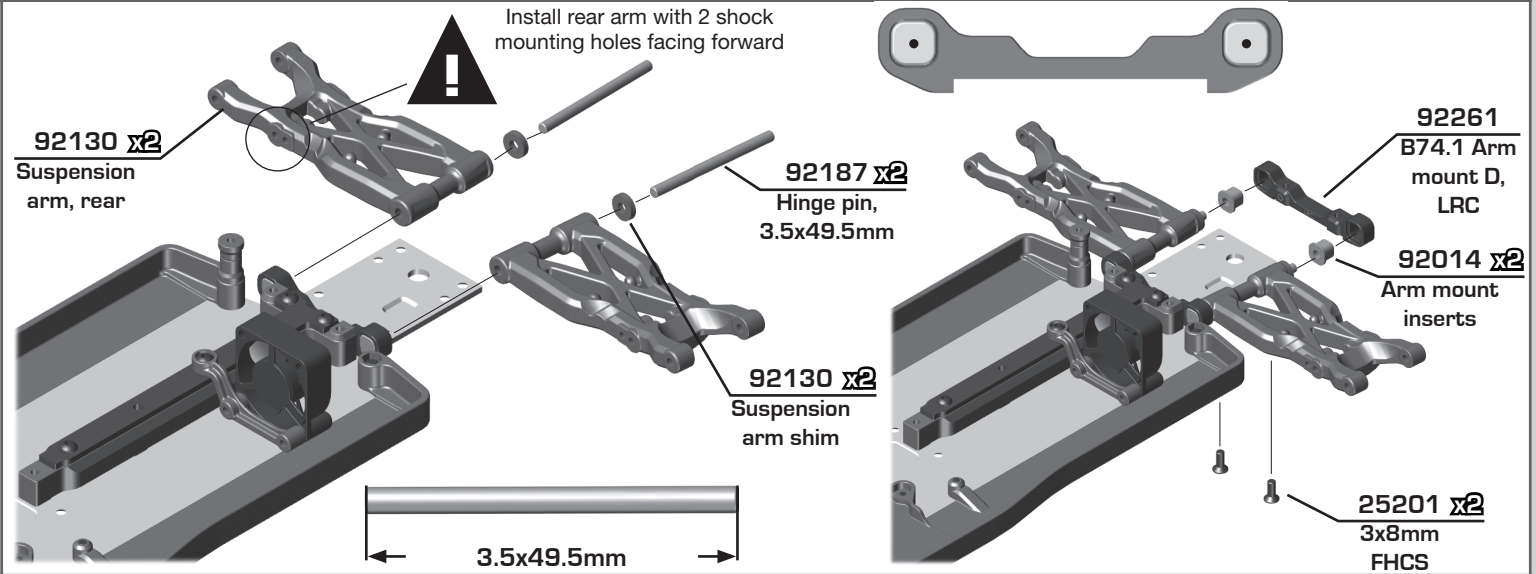
92128 x2
Suspension arm shim

92187 x2
Hinge pin, 3.5x47.5mm

:: Bag 2 - Step 2

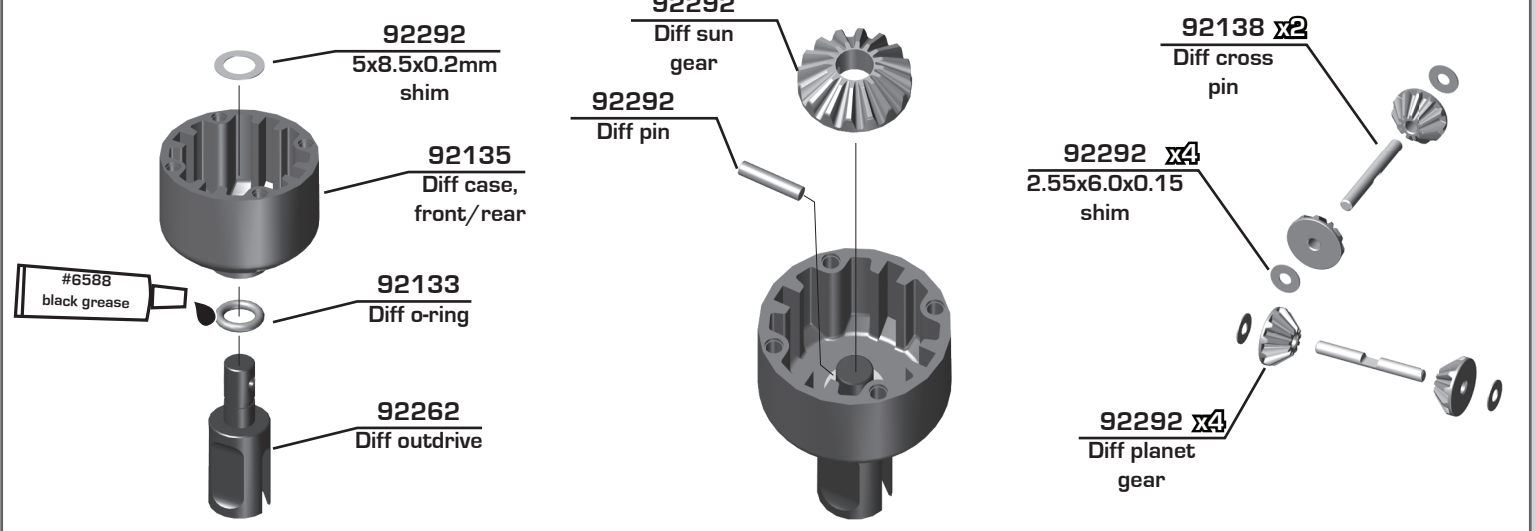


:: Bag 2 - Step 3

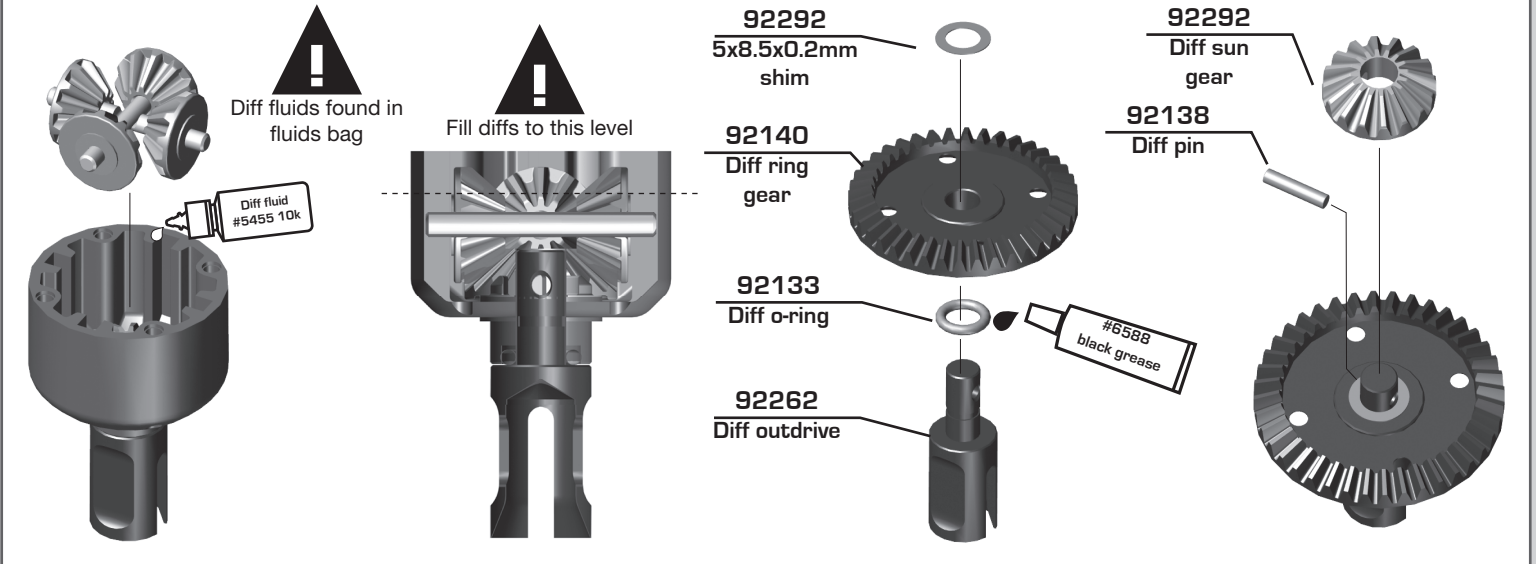


:: Bag 3 - Step 1

Build x2 (1 front, 1 rear)



:: Bag 3 - Step 2

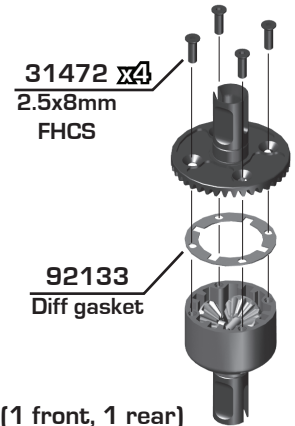
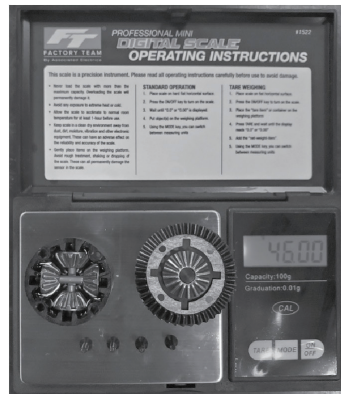


:: Bag 3 - Step 3



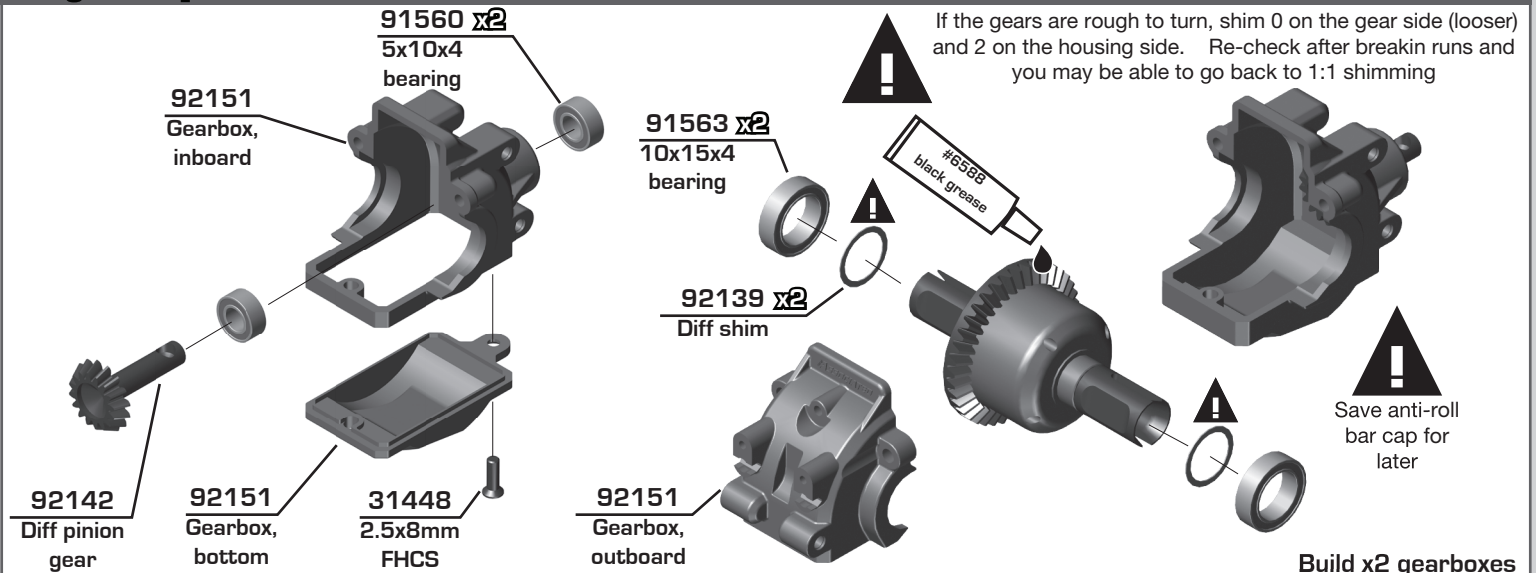
It is important that the correct amount of fluid is added to the diff. Too much fluid may cause the diff to fail. Fill diffs to the reference line shown below. A more accurate method is to use a digital scale (AE#1522) to make sure the correct amount of fluid is added on the first build, and subsequent rebuilds. The entire diff assembly should weigh **46g** when built. Start by placing the ring gear assembly, screws, and cup assembly (without fluid) onto the scale. Then slowly add fluid to the cup assembly until the overall mass is **46g**.

B74 Diff Weights (minus bearings)	Weight (grams)	
	Metal	Plastic
F/R Differential	46	36
Center Differential	44.5	34.5



Build x2 [1 front, 1 rear]

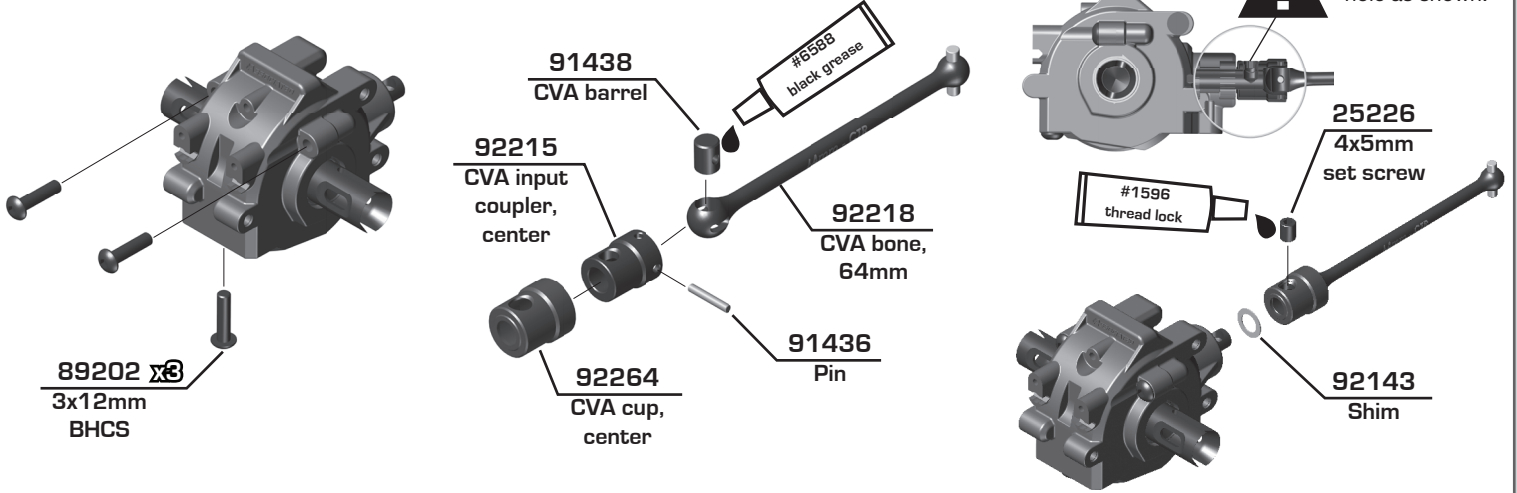
:: Bag 4 - Step 1



Build x2 gearboxes

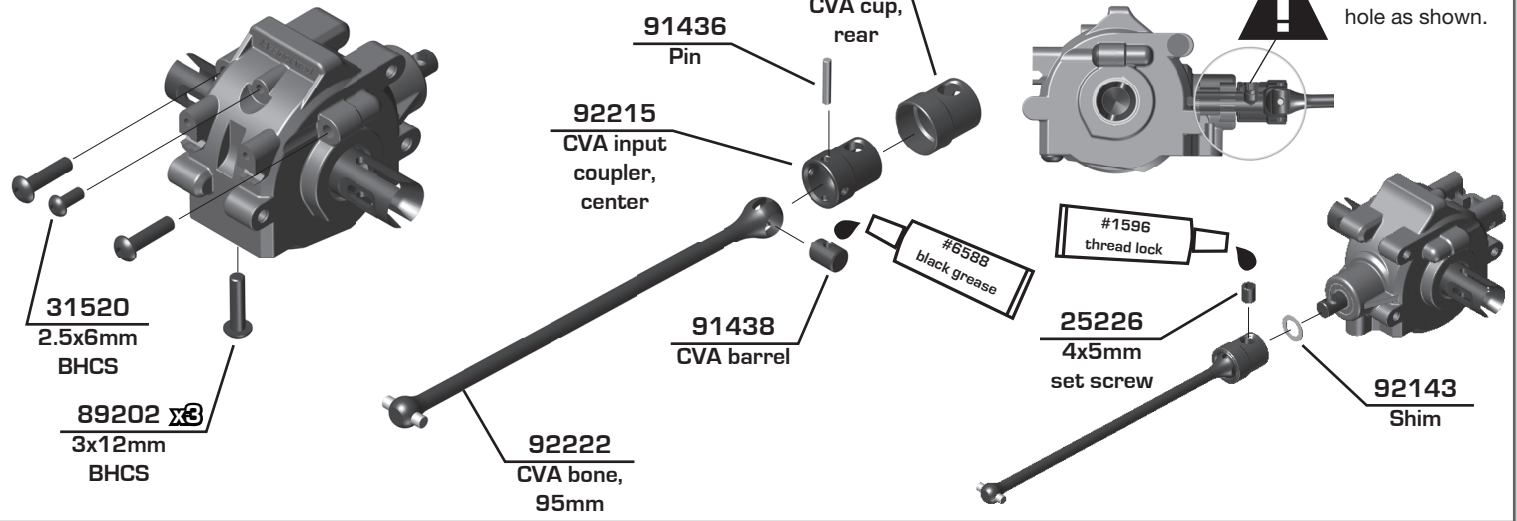
:: Bag 4 - Step 2

Build front gearbox



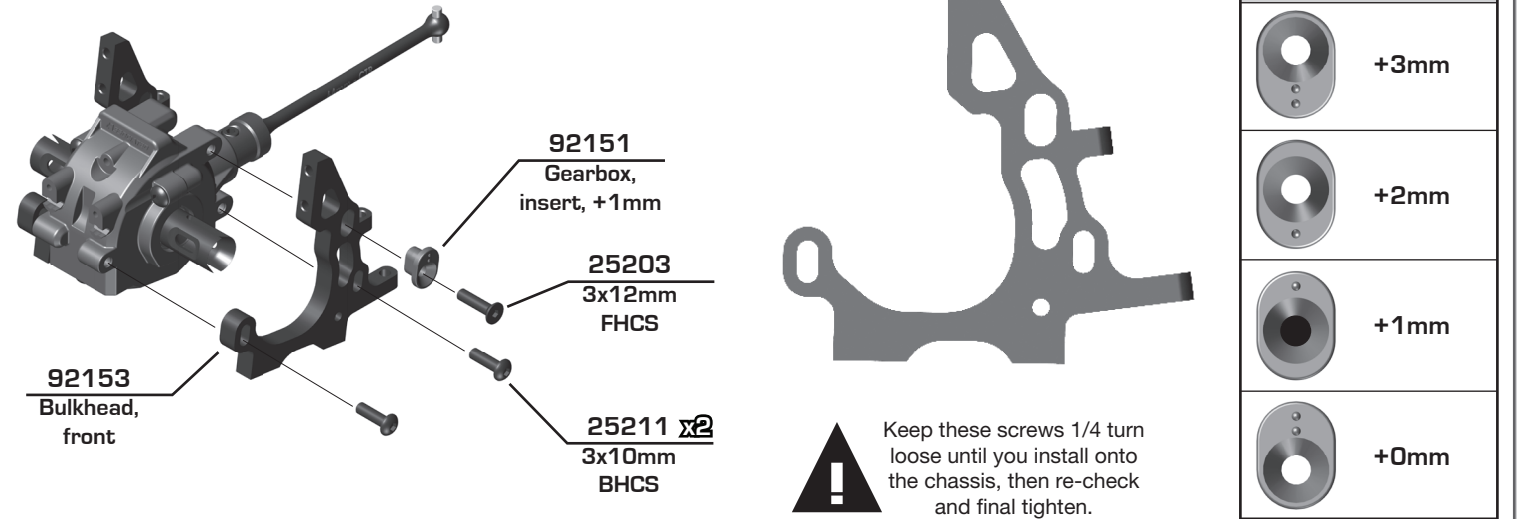
:: Bag 4 - Step 3

Build rear gearbox



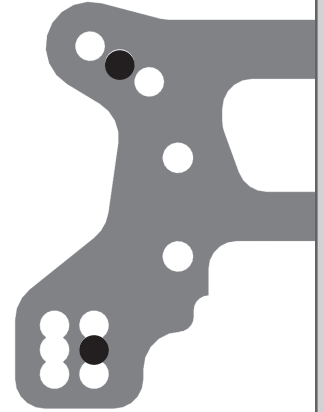
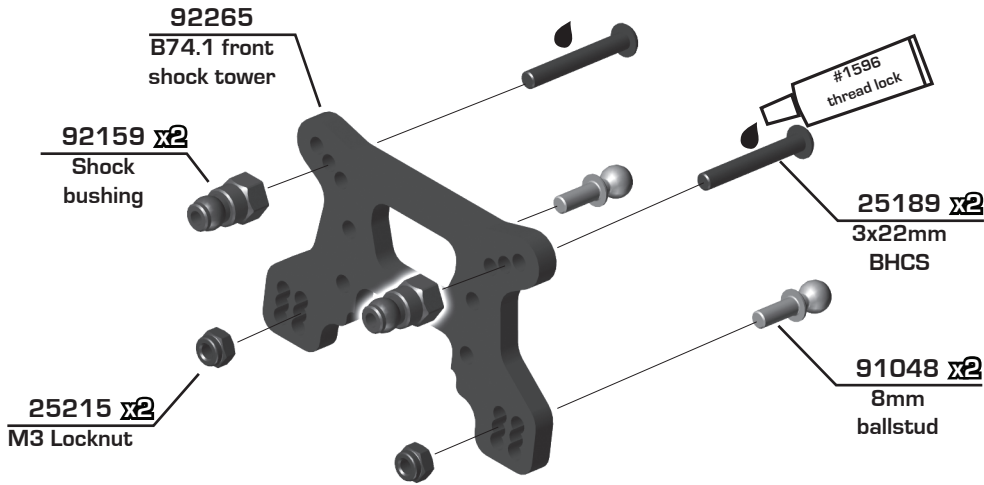
:: Bag 5 - Step 1

Build front gearbox, left and right sides



:: Bag 5 - Step 2

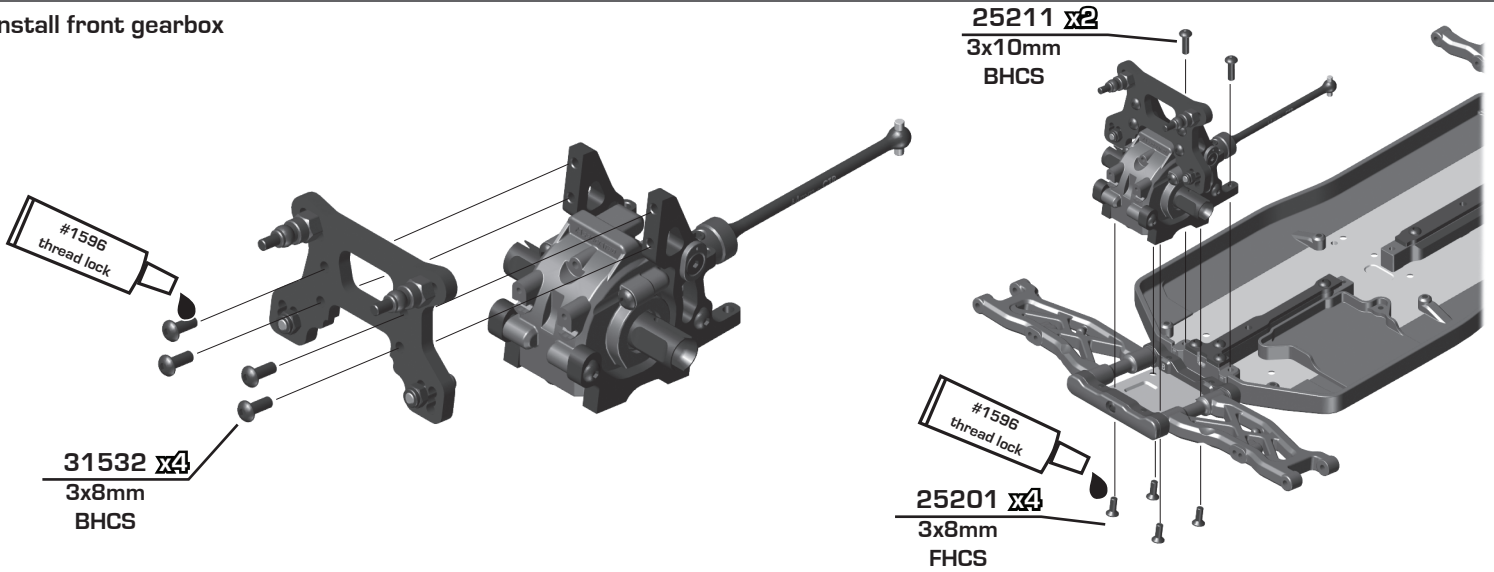
Build front shock tower



Tuning Tip: Use the shorter location for less steering and more stable front end, although this might slow cornering speed.

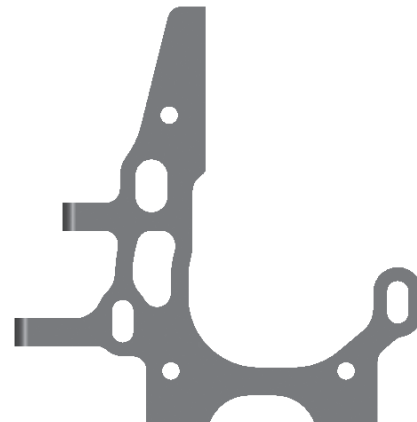
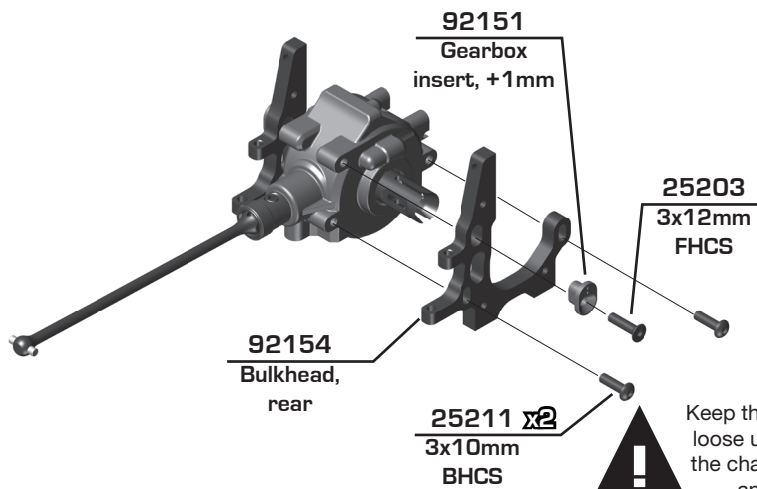
:: Bag 5 - Step 3

Install front gearbox



:: Bag 5 - Step 4

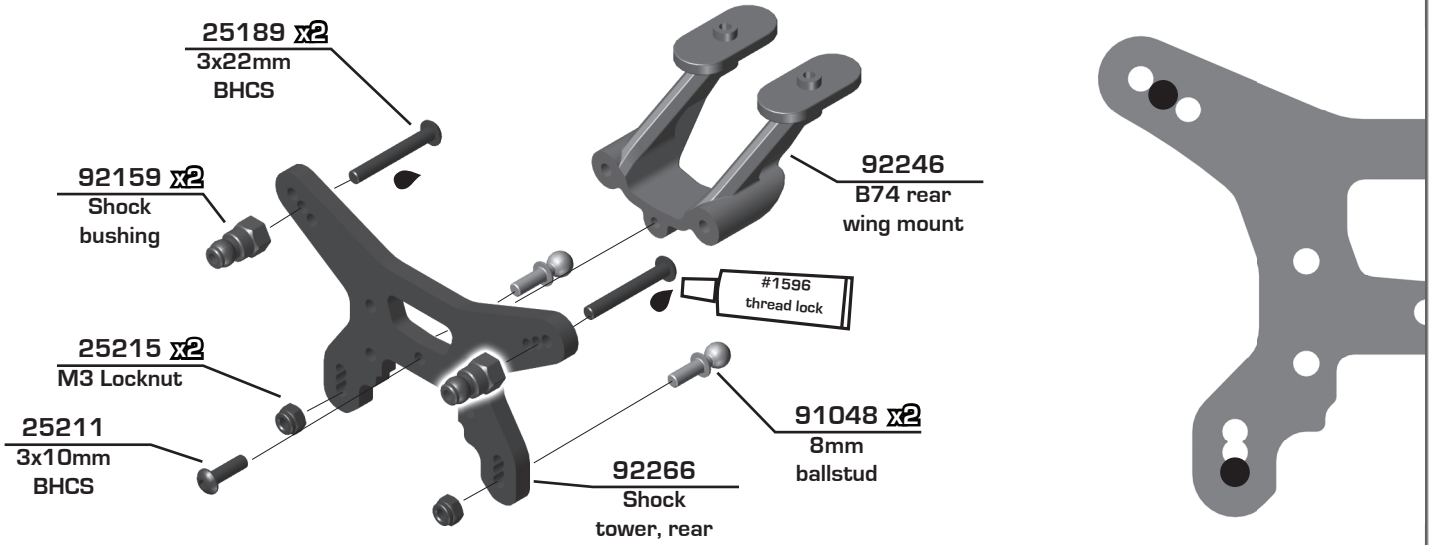
Build rear gearbox, left and right sides



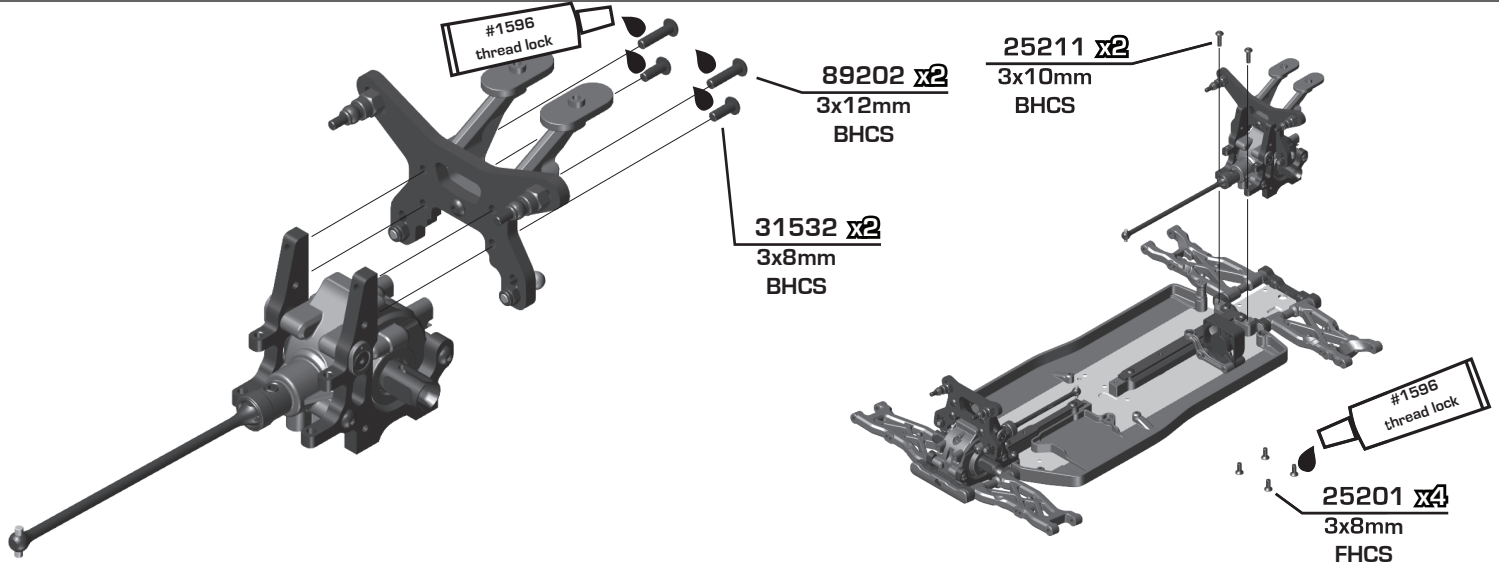
Keep these screws 1/4 turn loose until you install onto the chassis, then re-check and final tighten.

Diff Height	
	+3mm
	+2mm
	+1mm
	+0mm

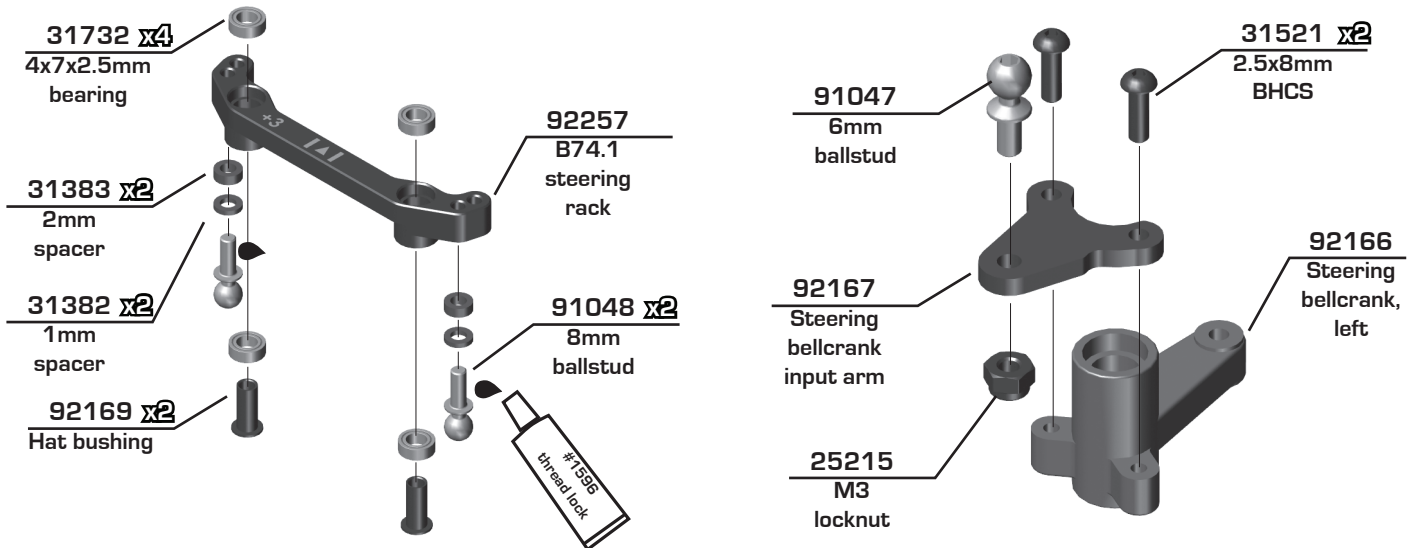
:: Bag 5 - Step 5



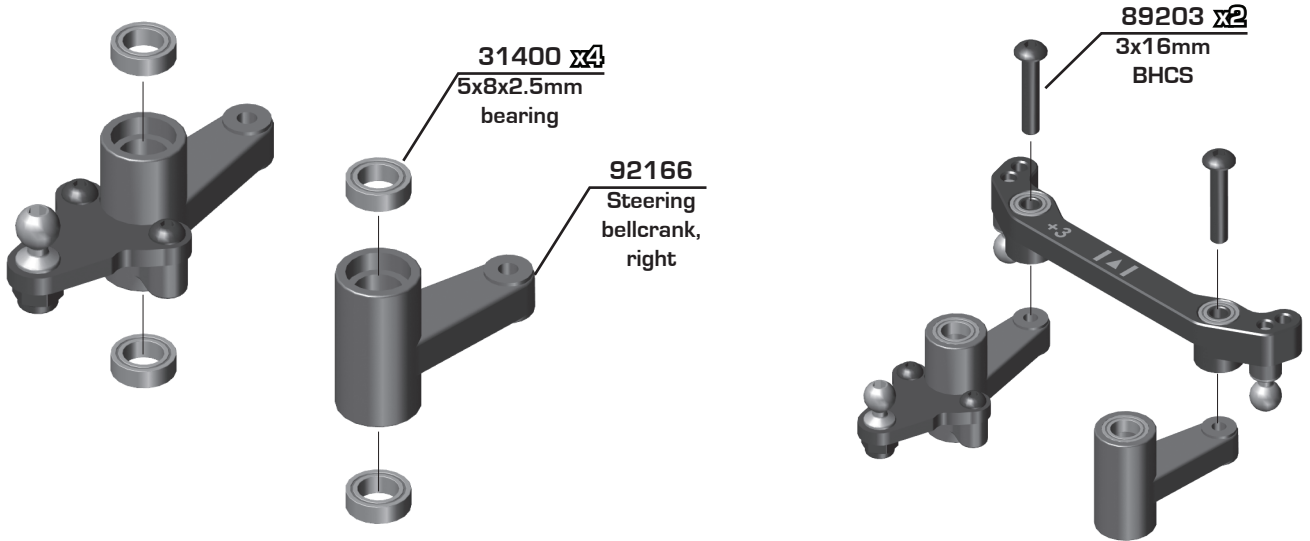
:: Bag 5 - Step 6



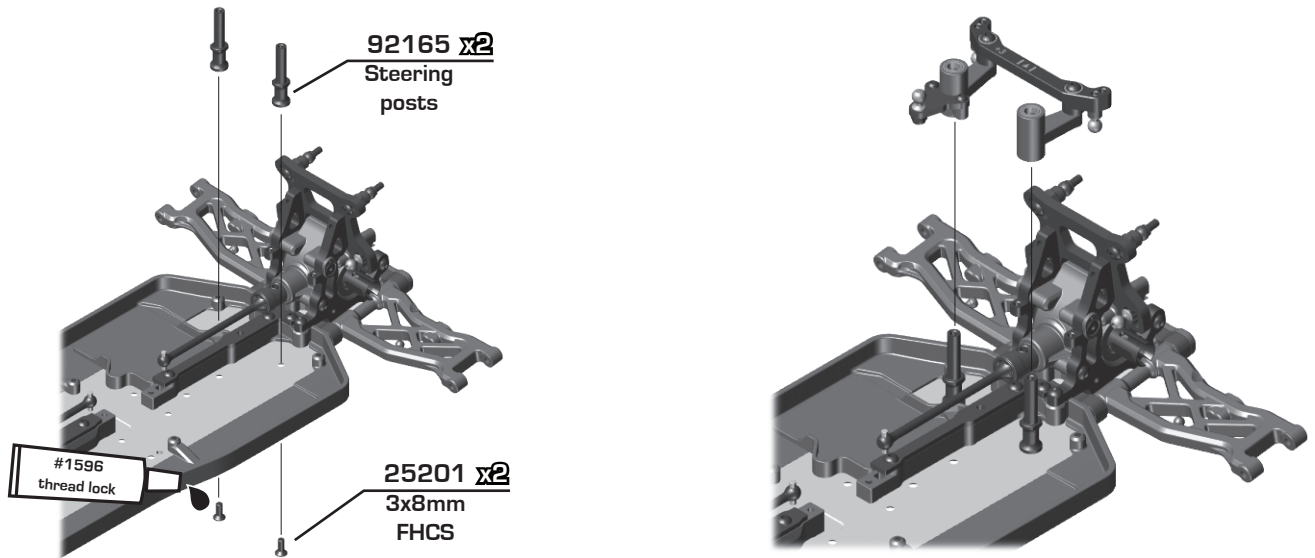
:: Bag 6 - Step 1



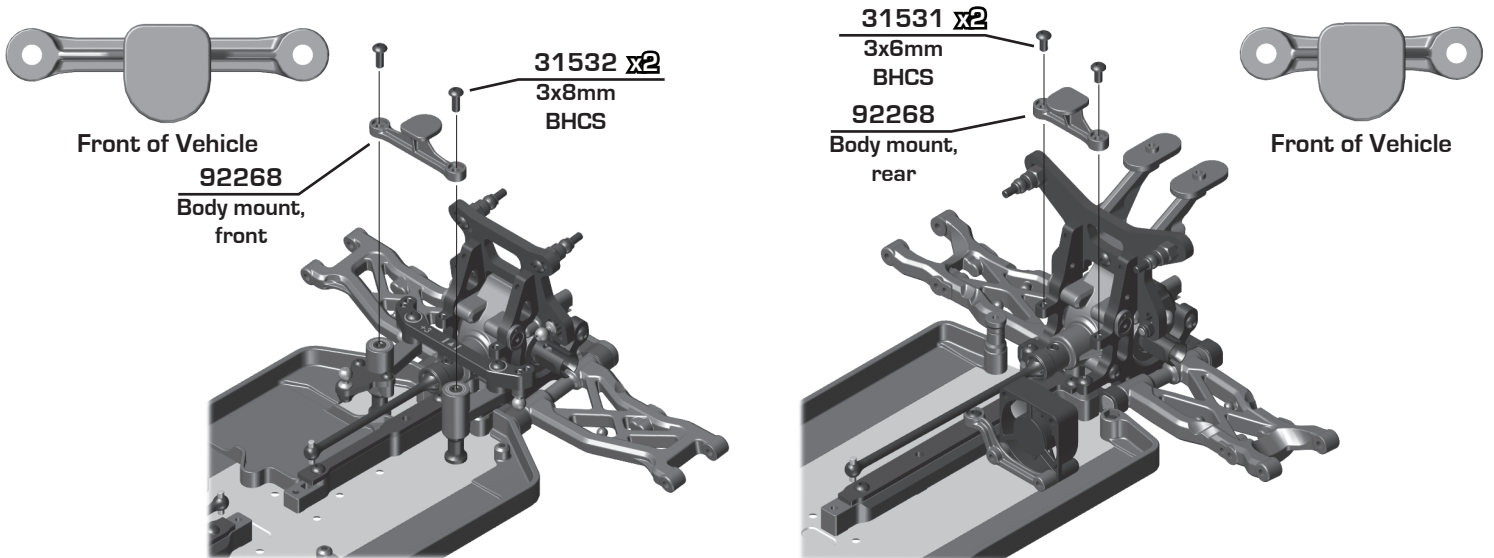
:: Bag 6 - Step 2



:: Bag 6 - Step 3



:: Bag 6 - Step 4



:: Bag 7 - Step 1

Build x2
(1 left side, 1 right side)

!
Caster hat bushings found
in Tuning Parts Bag

91676
Caster hat
bushing,
thick

91676
Caster hat
bushing,
thin

91560
5x10x4mm
bearing

25215
M3 locknut

91048
8mm
ballstud

31532 x2
3x8mm
BHCS

92272
Steering
block arm

92171
Steering
block

92189
Axle crush
tube, front

91567
5x12x4mm
bearing

91047
6mm
ballstud

31383
2mm
spacer

92176
Caster block,
9 degree

#1596
thread lock

#1596
thread lock

25187
3x14mm
BHCS

#1596
thread lock

!
Note, the long screw goes
on the same side as the
thick hat bushing!

89202
3x12mm
BHCS

:: Bag 7 - Step 2

Build x2
(1 left side, 1 right side)

91438
CVA barrel

92193
CVA bone,
74mm

91436
Pin

92263
CVA retainer,
front

#6588
black grease

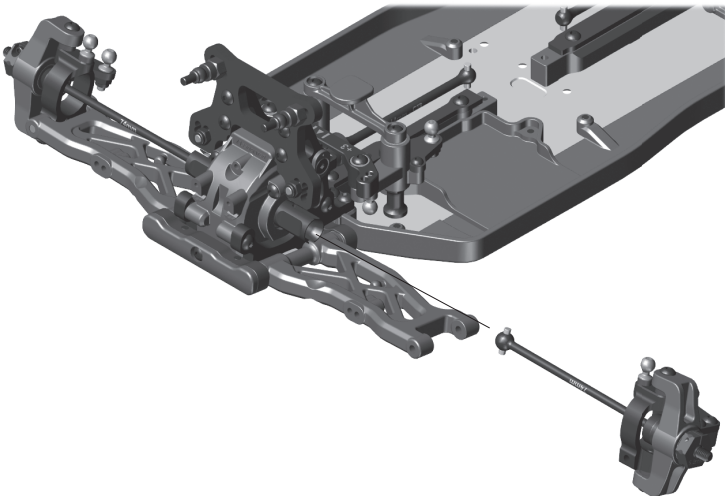
92191
CVA axle,
front

91436
Pin

91609
FT clamping
wheel hex,
5.0mm

91609
Wheel hex
screw

:: Bag 7 - Step 3



!
Note, the groove in
the hinge pin aligns with
the set screw!

92187
3x30mm
hinge pin,
grooved

25225
3x3mm
set screw

#1596
thread lock

3x30mm

Bag 8 - Step 1

Rear Axle Height		
	↓ 0 3 ↑	+3mm
	↓ 1 2 ↑	+2mm
	↑ 1 2 ↓	+1mm
	↑ 0 3 ↓	+0mm

Bag 8 - Step 2

Build x2
(1 left side, 1 right side)

Clamping hex found in Tuning Parts Bag

Bag 8 - Step 3

Build x2
(1 left side, 1 right side)

Do not overtighten after threads stop

Bag 9 - Step 1

SERVO LINK

Set this aside for installation when you install the servo!

15mm

:: Bag 9 - Step 2

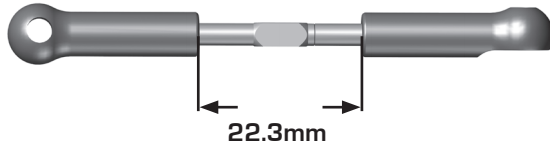


91722 x2
Ballcup,
straight

92027
3x42mm
turnbuckle

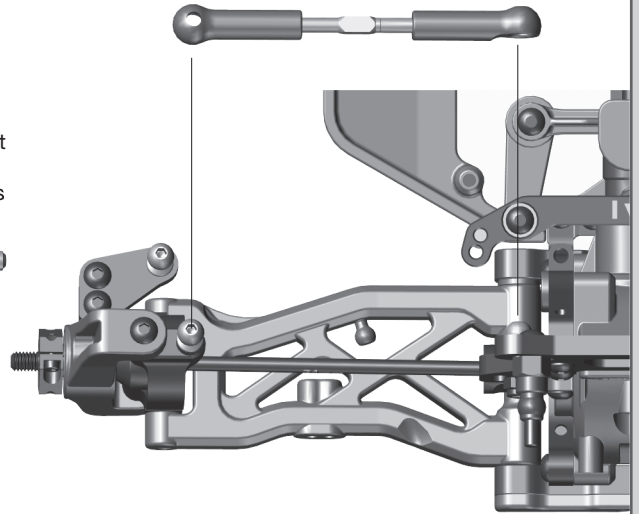


Orient the notch to the left throughout the car. It indicates which end has the left hand threads!



22.3mm

Build x2 (1 left side, 1 right side)



:: Bag 9 - Step 3



91722
Ballcup,
curved

92027
3x42mm
turnbuckle

91722
Ballcup,
straight



Orient the notch to the left throughout the car. It indicates which end has the left hand threads!



Left

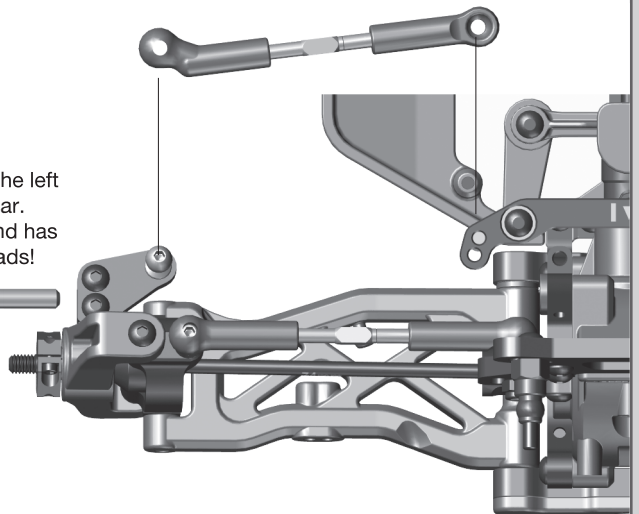


Right



20.8mm

Build x2 (1 left side, 1 right side)



:: Bag 9 - Step 4



91722 x2
Ballcup,
straight

4404
3x45mm
turnbuckle

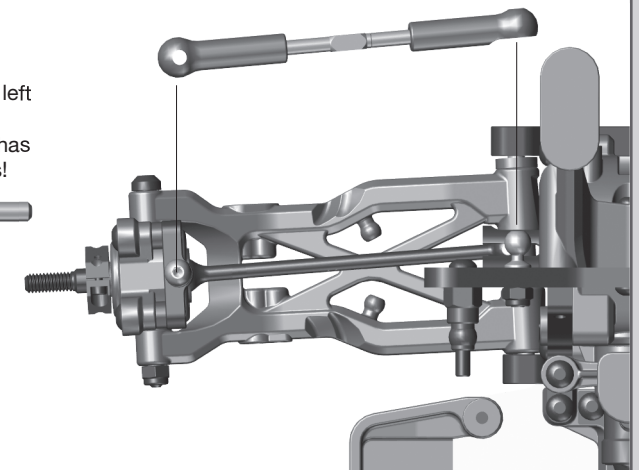


Orient the notch to the left throughout the car. It indicates which end has the left hand threads!

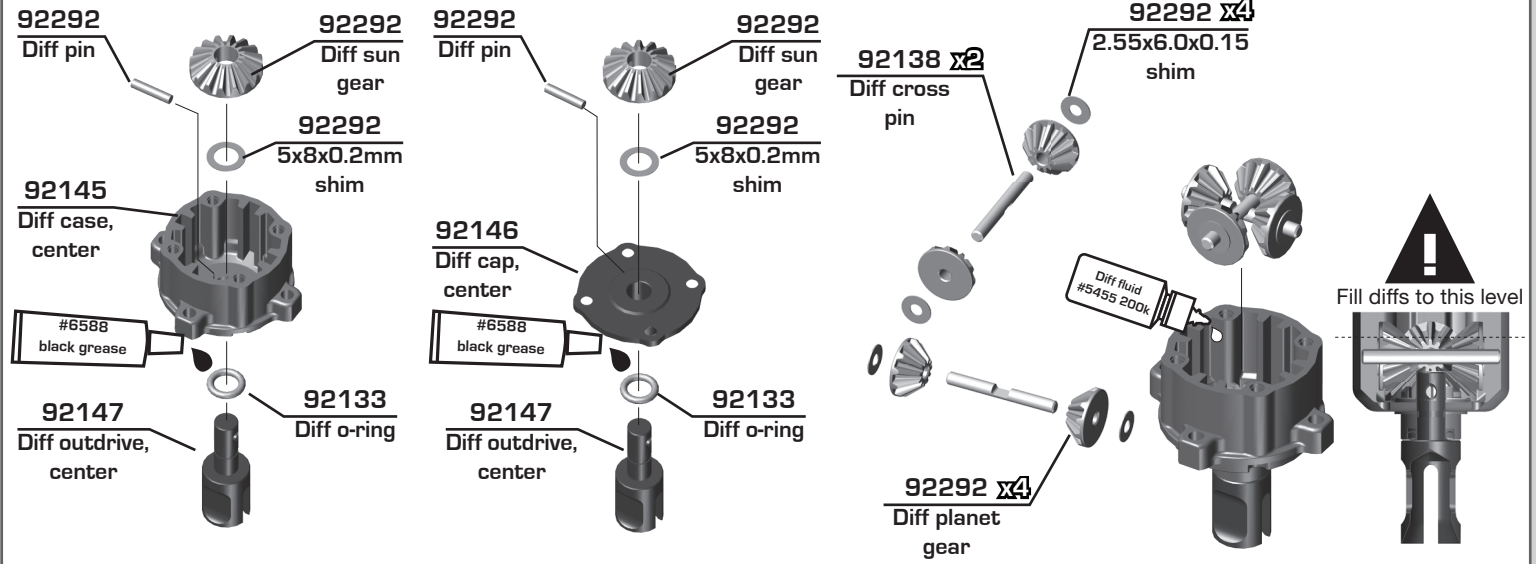


25.2mm

Build x2 (1 left side, 1 right side)



:: Bag 10 - Step 1

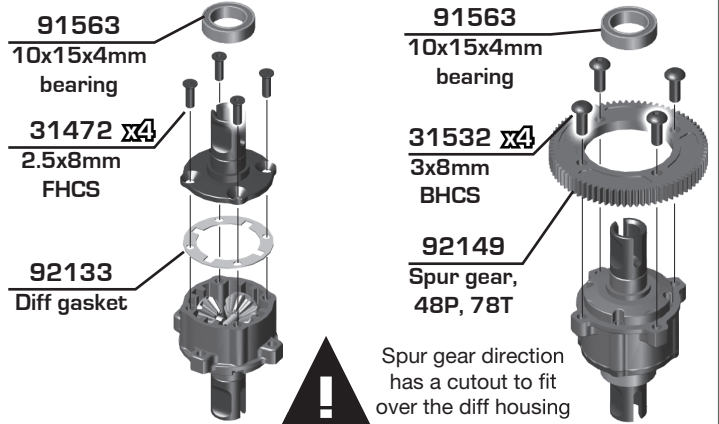
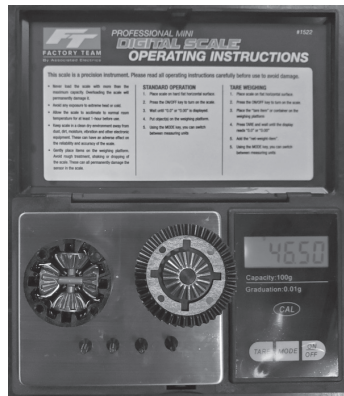


:: Bag 10 - Step 2

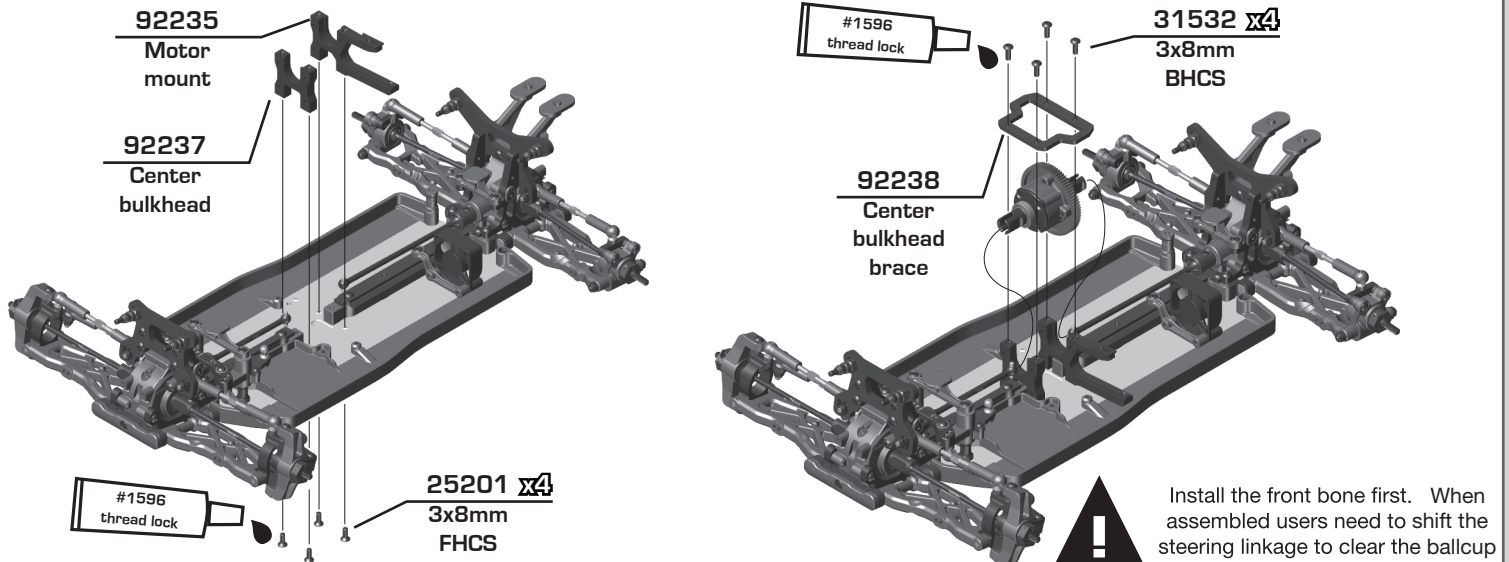


It is important that the correct amount of fluid is added to the diff. Too much fluid may cause the diff to fail. Fill diffs to the reference line shown below. A more accurate method is to use a digital scale (AE#1522) to make sure the correct amount of fluid is added on the first build, and subsequent rebuilds. The entire diff assembly should weigh **44.5g** when built. Start by placing the ring gear assembly, screws, and cup assembly (without fluid) onto the scale. Then slowly add fluid to the cup assembly until the overall mass is **44.5g**.

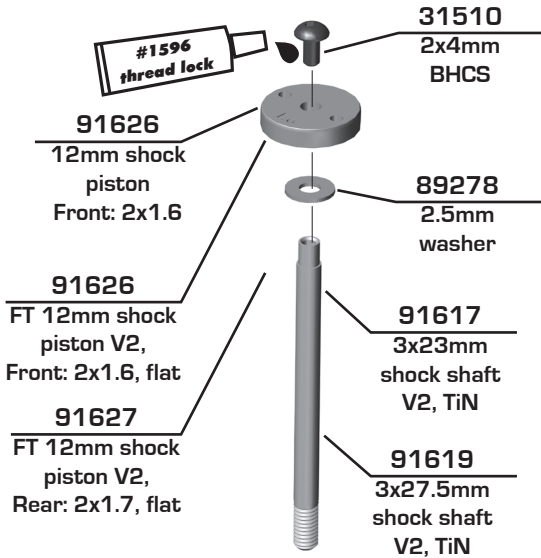
B74 Diff Weights (minus bearings)	Weight (grams)	
	Metal	Plastic
F/R Differential	46	36
Center Differential	44.5	34.5



:: Bag 10 - Step 3



Bag 11 - Step 1



!
Mount the shock pistons with the number facing up!

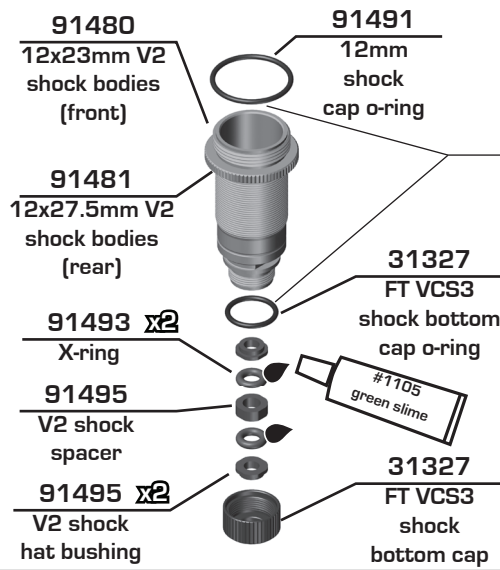


Racers Tip:

Use a marker over the numbers on the pistons to make them easily visible!



Bag 11 - Step 2

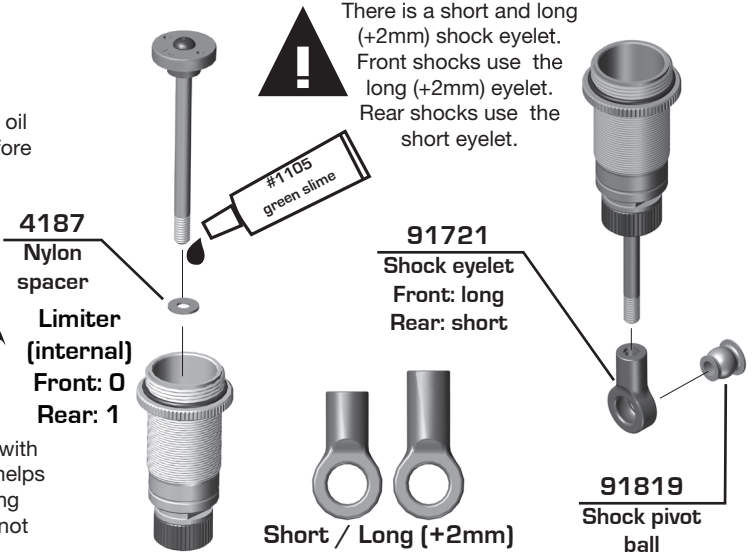


!
Lightly rub shock oil on the o-rings before installation!



Racers Tip:

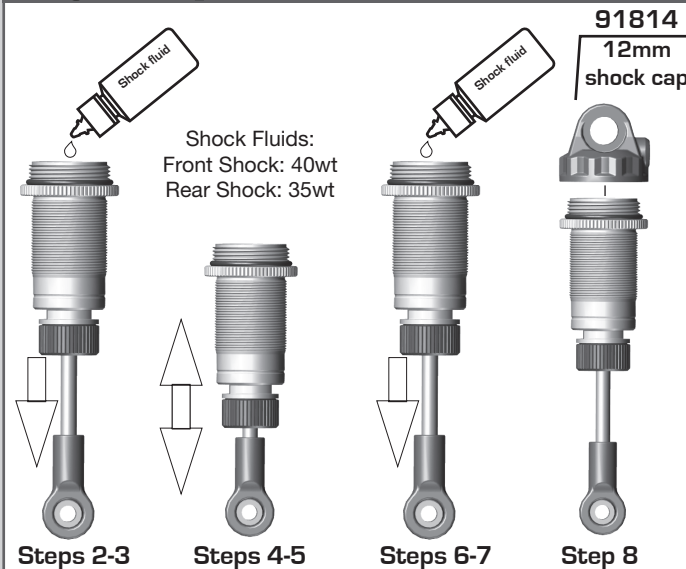
Coating the o-rings with green slime (#1105) helps seal & reduce o-ring swell! Green slime not included in kit!



!
There is a short and long (+2mm) shock eyelet. Front shocks use the long (+2mm) eyelet. Rear shocks use the short eyelet.

Short / Long (+2mm)

Bag 11 - Step 3

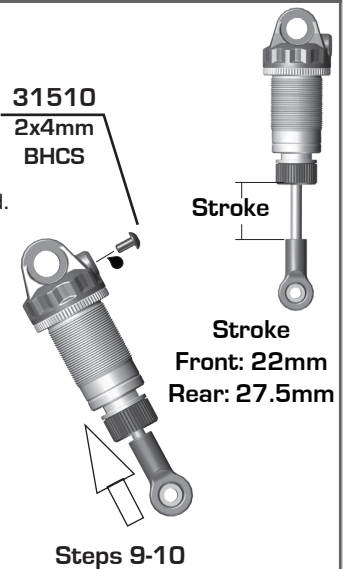


91814 Shock Bleeding Steps:

12mm shock cap

1. Before assembly, get each bleed screw and thread it 1-2 turns into the shock cap, then remove the screw. This will make it easier when you are bleeding your shocks.
2. Pull shock shaft down.
3. Fill shock body 3/4 full with silicone shock fluid.
4. Slowly move the shock shaft up and down to remove air from under the piston.
5. Wait for bubbles to come to surface.
6. Fill shock body to top with silicone shock fluid.
7. Place a drop of oil in the cap and on cap threads.
8. Install cap (without bleed screw) and tighten completely.
9. Slowly compress shaft all the way to bleed excess silicone shock fluid out the hole in the cap (use rag around shock to catch excess fluid).
10. Install M2x4mm button head screw until snug while shaft is fully compressed.

31510 2x4mm BHCS

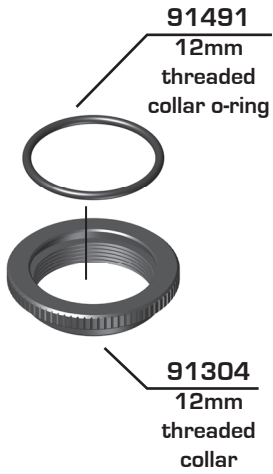


Stroke

Stroke
Front: 22mm
Rear: 27.5mm

Steps 9-10

:: Bag 11 - Step 4

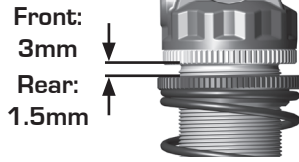
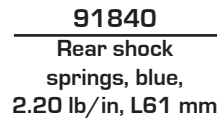
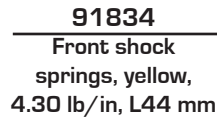


Build x4

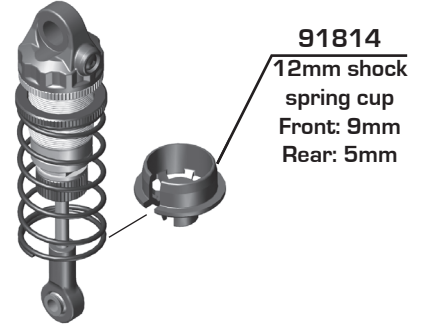


Racers Tip:

Use your finger to rub shock oil on the o-ring for smoother adjustment!

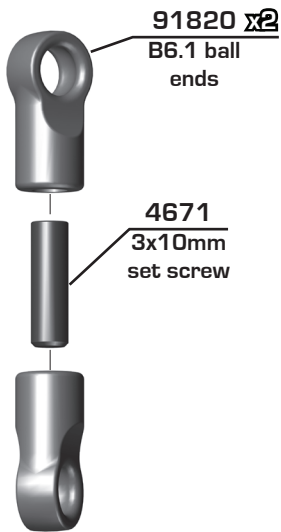


#91814 12mm Shock Spring Cups
0mm 5mm 9mm

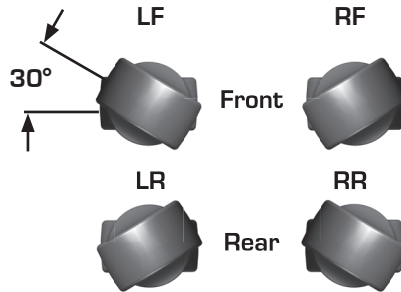


Build x2 front and x2 rear shocks

:: Bag 12 - Step 1

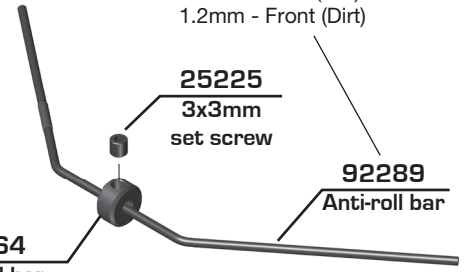


Build x4



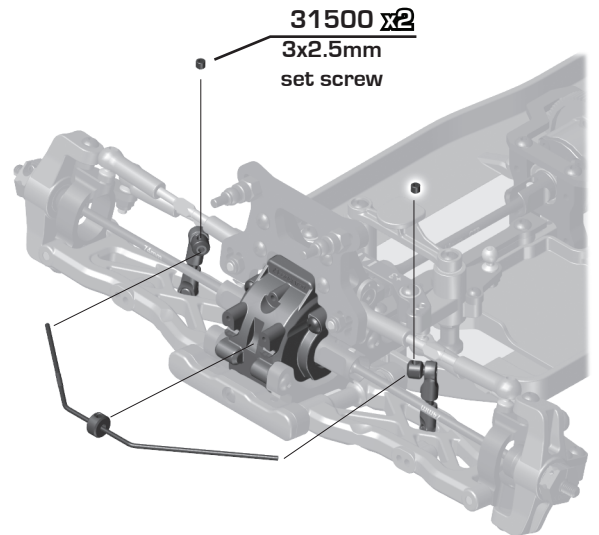
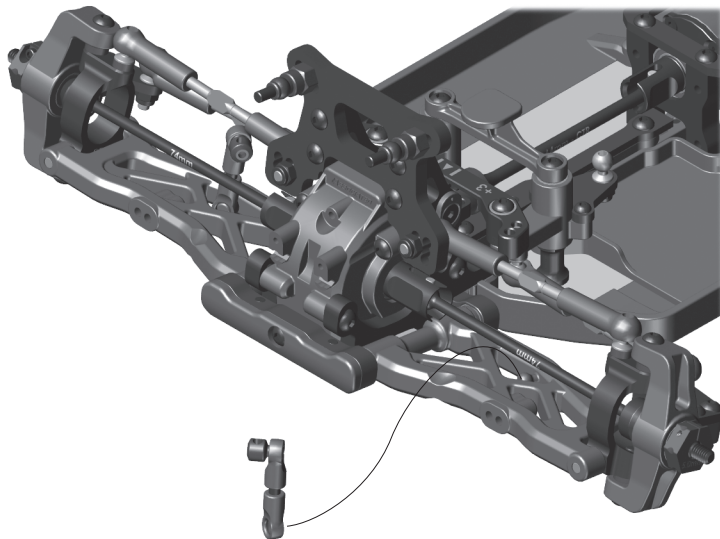
Anti-Roll bar found in Tuning Parts Bag

1.3mm - Rear (Dirt)
1.2mm - Front (Dirt)



Put this screw at 45° angle so you can easily access the screw while the bar is installed.

:: Bag 12 - Step 2



:: Bag 12 - Step 3

2mm

92151
Gearbox
anti-roll bar
cap

31511 **x2**
2x5mm
SHCS

89219 **x2**
3x5mm
set screw

Front view, the linkage
pivot should sit directly
above the pivot on the arm.

Do not overtighten the set screws.
Anti-roll bar should pivot freely.

:: Bag 12 - Step 4

31500 **x2**
3x2.5mm
set screw

:: Bag 12 - Step 5

0mm/flush

92151
Gearbox
anti-roll bar
cap

31511 **x2**
2x5mm
SHCS

89219 **x2**
3x5mm
set screw

Front view, the linkage
pivot should sit directly
above the pivot on the arm.

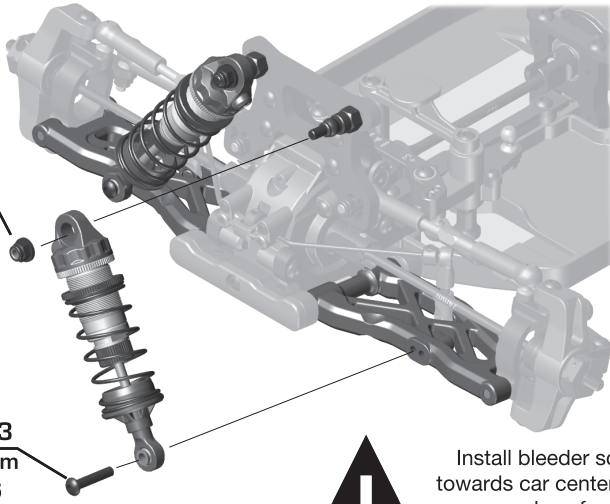
Do not overtighten the set screws.
Anti-roll bar should pivot freely.

:: Bag 13 - Step 1

Install x2 front and x2 rear shocks

25612
M3 flanged
nut, black

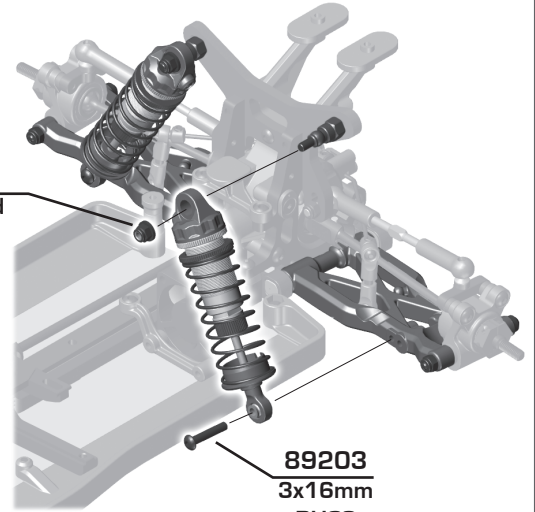
89203
3x16mm
BHCS



Install bleeder screws facing
towards car center to keep them
clean from dirt

25612
M3 flanged
nut, black

89203
3x16mm
BHCS



:: Bag 13 - Step 2

Servo
(Not included)

31805
Outer servo
mount

#1596
thread lock

31532 x4
3x8mm
BHCS

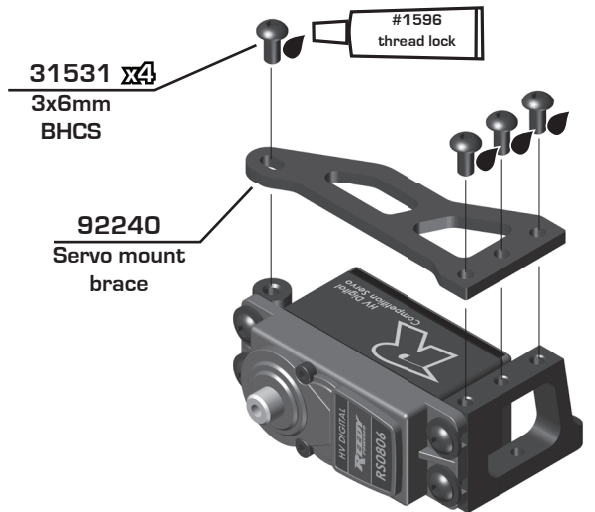
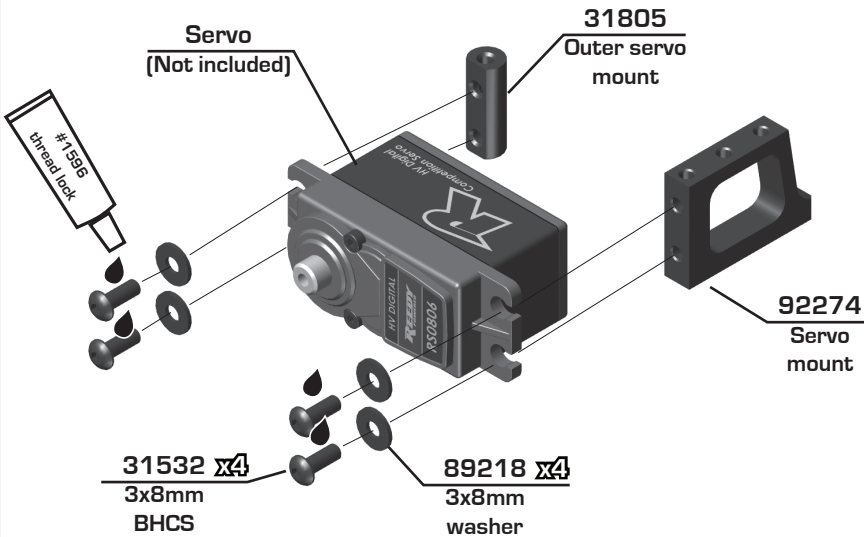
89218 x4
3x8mm
washer

92274
Servo
mount

31531 x4
3x6mm
BHCS

92240
Servo mount
brace

#1596
thread lock



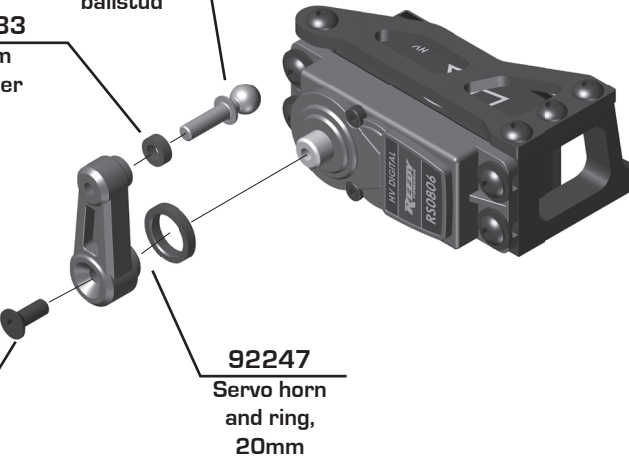
:: Bag 13 - Step 3

91049
10mm
ballstud

31383
2mm
washer

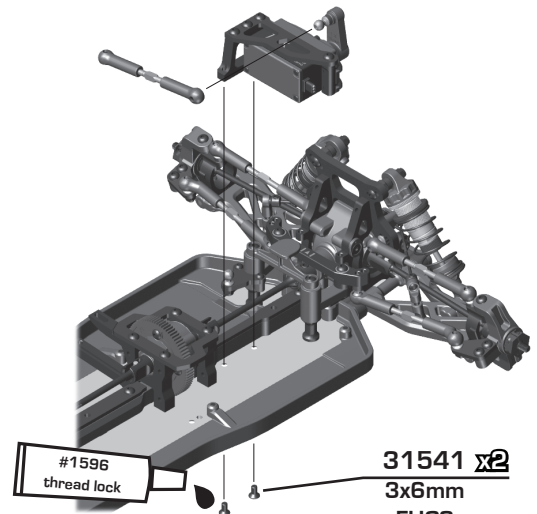
25201
3x8mm
FHCS

92247
Servo horn
and ring,
20mm

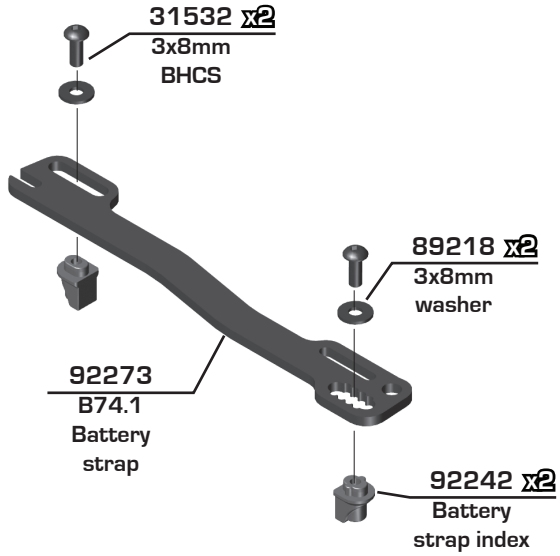


#1596
thread lock

31541 x2
3x6mm
FHCS



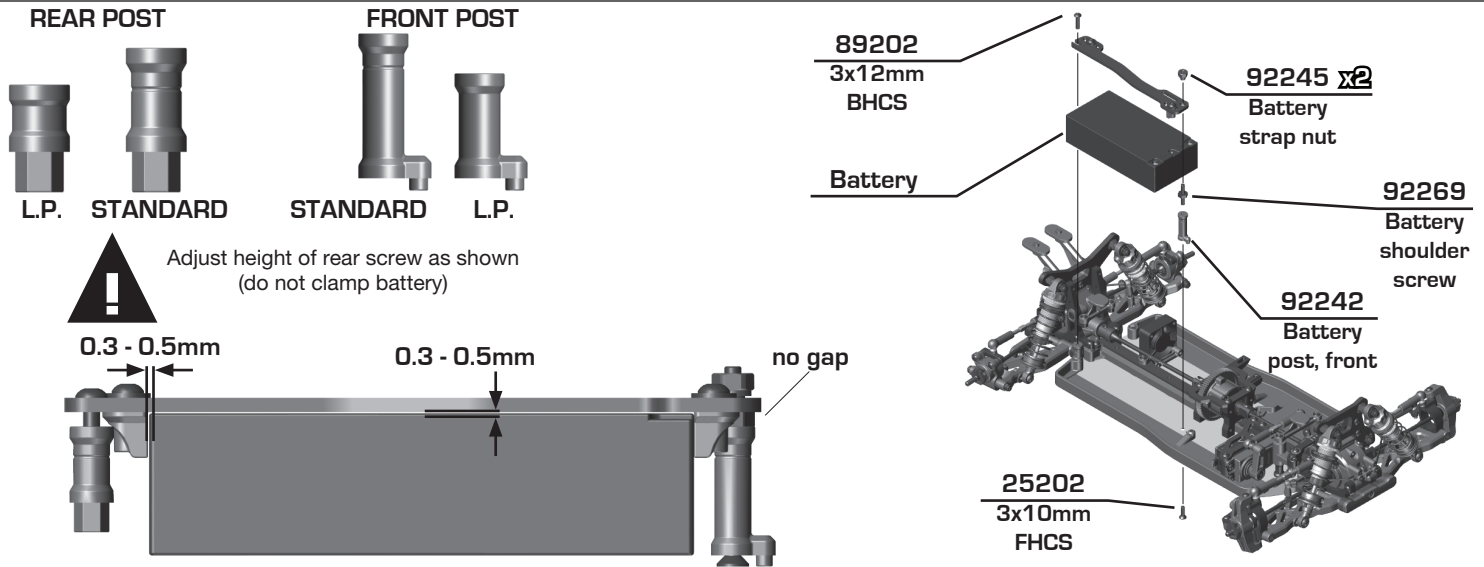
:: Bag 13 - Step 4



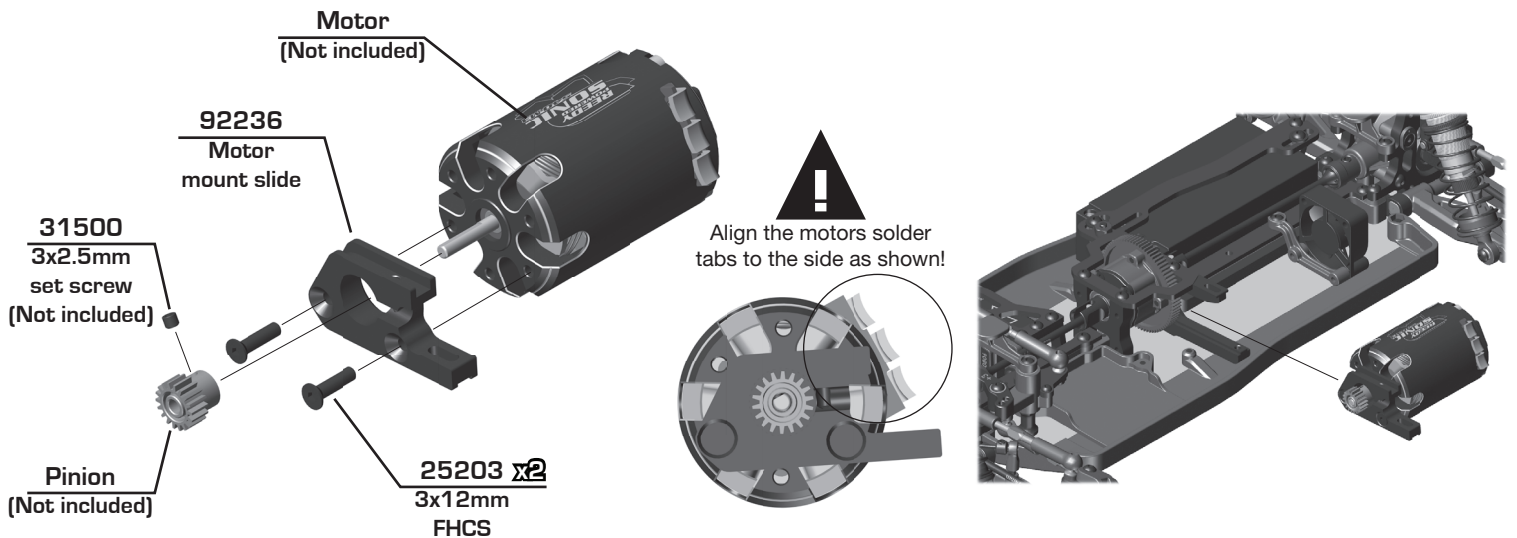
!
Adjust the rear index to fit
your battery length.



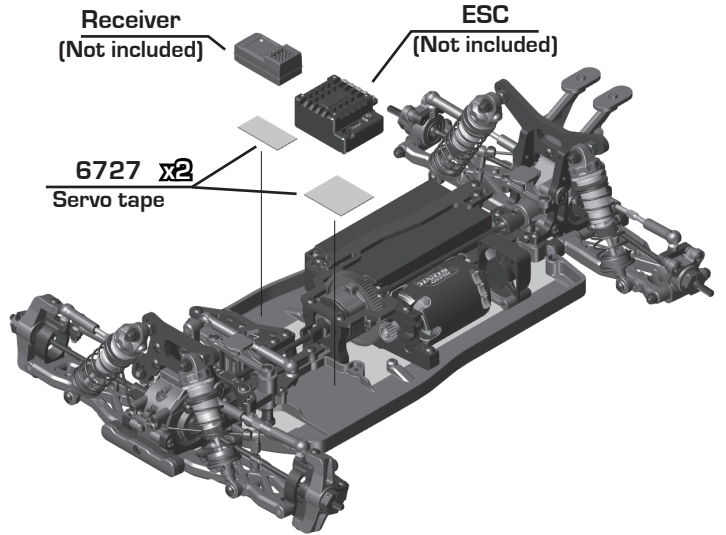
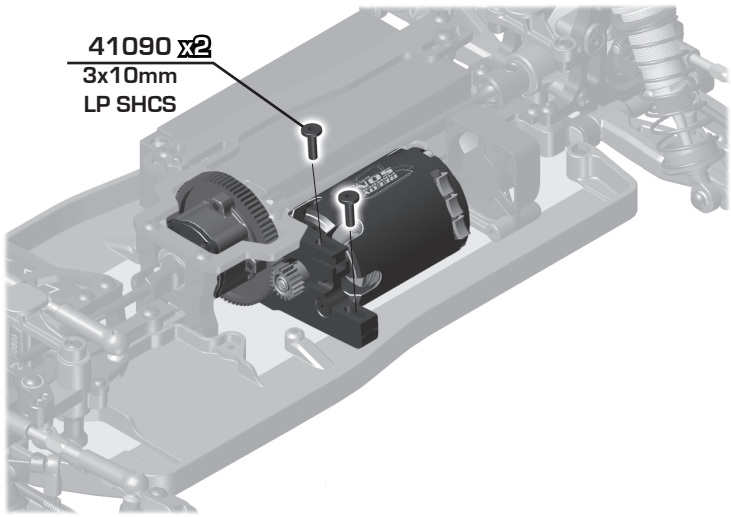
:: Bag 13 - Step 5



:: Bag 13 - Step 6



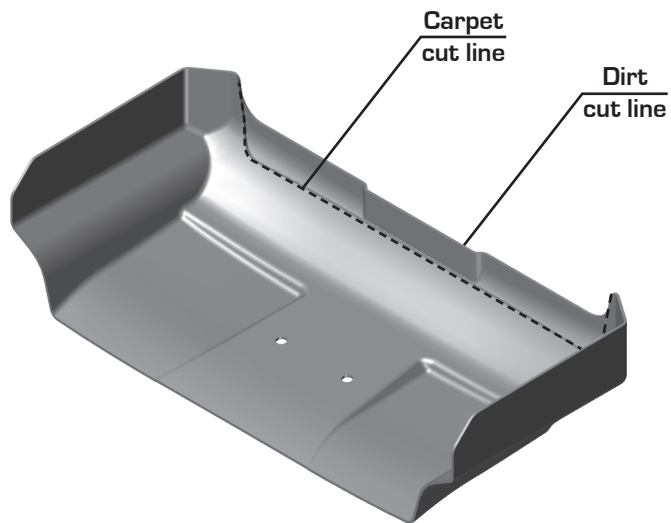
:: Bag 13 - Step 7



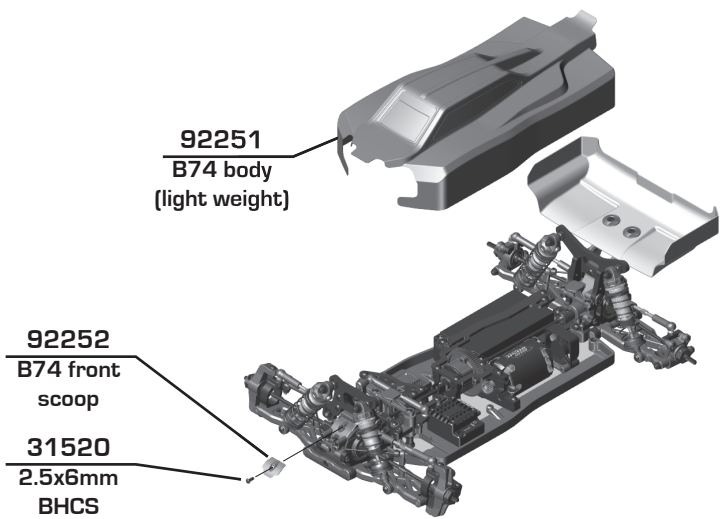
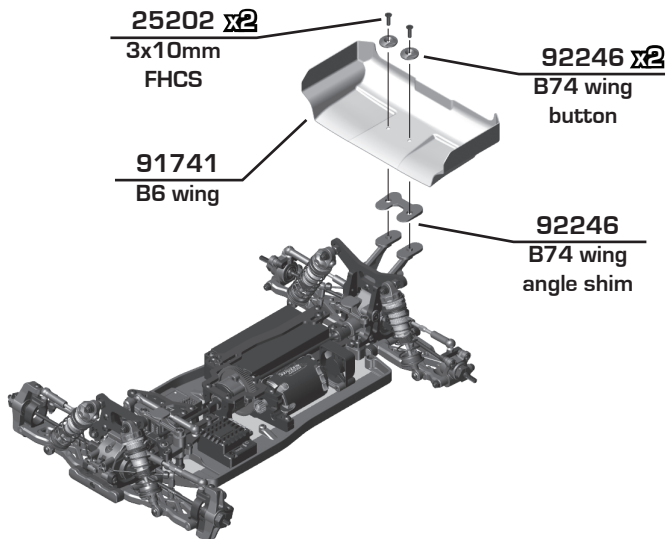
:: Bag 13 - Step 8



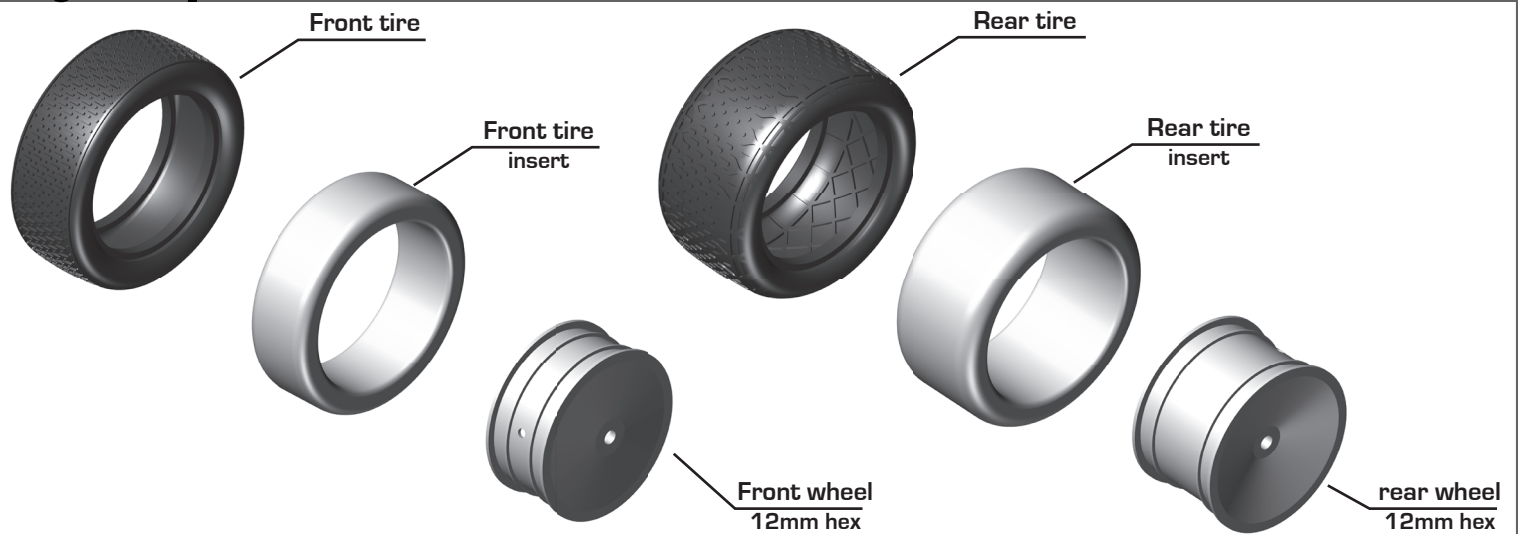
There are two cut line options on the rear wings. The lower one is for carpet setup, the higher one is for dirt setup.



:: Bag 13 - Step 9

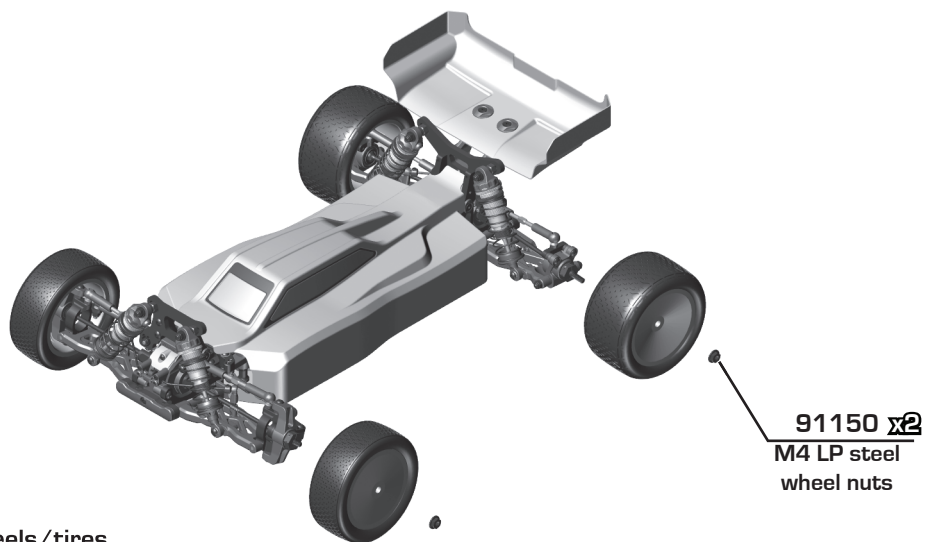


:: Bag 13 - Step 10



Build x2 front and x2 rear wheels/tires

:: Bag 13 - Step 11



Install x2 front and x2 rear wheels/tires

:: Tuning Tips - Painting, Beginners

Painting:

Your Kit requires a clear polycarbonate body. You will need to prep the body before you can paint it. Wash the INSIDE thoroughly with warm water and liquid detergent (do not use any detergents with scents or added hand lotion ingredients!). Dry the body using a clean, soft, lint-free cloth. Use the supplied window masks to cover the windows from the INSIDE of the body (RC bodies get painted on the inside). Using high quality masking tape, apply tape to the inside of the body to create a design. Spray (use either rattle can or airbrush) the paint on the inside of the body (preferably dark colors first, lighter colors last). NOTE: ONLY use paint that is recommended for (polycarbonate) plastics. If you do not, you can destroy the body! After the paint has completely dried (usually after 24 hours), cut the body along the trim lines. Make sure to drill or use a body reamer to make the holes for the antenna if needed! Use hook and loop tape to secure the body to the side rails of the vehicle.

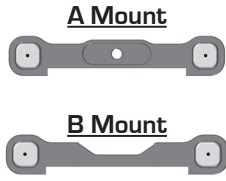
Tips for Beginners:

Before making any changes to the standard setup, make sure you can get around the track without crashing. Changes to your vehicle will not be beneficial if you can't stay on the track. Your goal is consistent laps. Once you can get around the track consistently, start tuning your vehicle. Make only ONE adjustment at a time, testing it before making another change. If the result of your adjustment is a faster lap, mark the change on the included setup sheet (make additional copies of the sheet before writing on it). If your adjustment results in a slower lap, revert back to the previous setup and try another change. When you are satisfied with your vehicle, fill in the setup sheet thoroughly and file it away. Use this as a guide for future track days or conditions. Periodically check all moving suspension parts. Suspension components must be kept clean and move freely without binding to prevent poor and/or inconsistent handling.

:: Tuning Tips - Front Arm Mount Pill Insert Setups

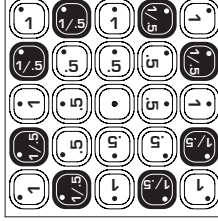
Standard Position

Use this position as a reference when changing pill locations.

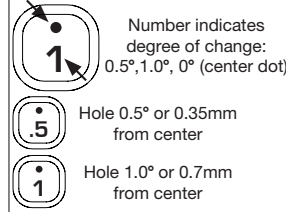


Kick-up: 8°
Roll Center: +0
Pin Width: +0

Possible Insert Locations



Insert Hole Locations



The aluminum front arm mounts utilize eccentric pill inserts to make fine adjustments to kick-up, pin height, and pin width. Adjustments can be made using the supplied inserts (#92014)

Pin Width
More distance = wider pivot
Less distance = narrower pivot

A Mount	B Mount	
		= +1.4mm
		= +0.7mm
		= 0mm
		= -0.7mm
		= -1.4mm

Pin Height
Higher pin = Higher roll center
Lower Pin = Lower roll center

A Mount	B Mount	
		= +0.7mm
		= +0.35mm
		= 0mm
		= -0.35mm
		= -0.7mm

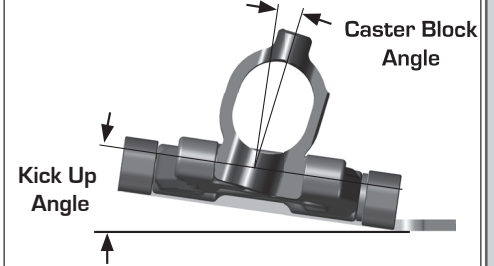
Kick Up

More angle = More kick up
Less angle = Less kick up

A Mount	B Mount	
		= 8°
		= 7°
		= 6°
		= 9°
		= 8°
		= 7°
		= 10°
		= 9°
		= 8°

Total Caster Angle

Total caster angle is the sum of the kick up angle and the caster block angle.

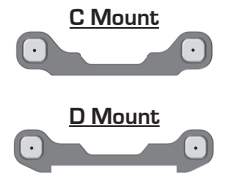


Caster Block Angle	Kick Up Angle				
	6°	7°	8°	9°	10°
8°	14°	15°	16°	17°	18°
9°	15°	16°	17°	18°	19°
10°	16°	17°	18°	19°	20°

:: Tuning Tips - Rear Arm Mount Pill Insert Setups

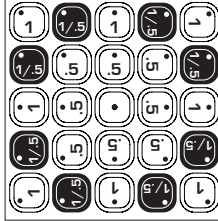
Standard Position

Use this position as a reference when changing pill locations.

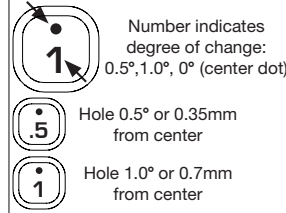


Toe: 3°
Anti-Squat: 2°
Roll Center: +0
Pin Width: +0

Possible Insert Locations



Insert Hole Locations



The aluminum front arm mounts utilize eccentric pill inserts to make fine adjustments to kick-up, pin height, and pin width. Adjustments can be made using the supplied inserts (#92014)

Pin Width
More distance = wider pivot
Less distance = narrower pivot

C Mount	D Mount	
		= +1.4mm
		= +0.7mm
		= 0mm
		= -0.7mm
		= -1.4mm

Pin Height
Higher pin = Higher roll center
Lower Pin = Lower roll center

C Mount	D Mount	
		= +0.7mm
		= +0.35mm
		= 0mm
		= -0.35mm
		= -0.7mm

Anti-Squat Angle

More angle = More anti-squat
Less angle = Less anti-squat

C Mount	D Mount	
		= 2°
		= 1°
		= 0°
		= 3°
		= 2°
		= 1°
		= 4°
		= 3°
		= 2°

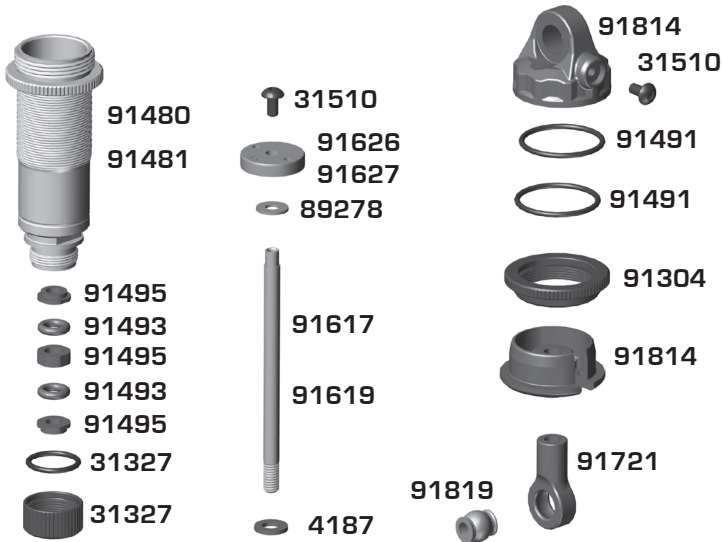
Toe Angle

More angle = More toe in
Less angle = Less toe in
Shown in 1° changes

C Mount	D Mount	
		= 3°
		= 4°
		= 5°
		= 2°
		= 3°
		= 4°
		= 1°
		= 2°
		= 3°

:: Shocks

4187	Nylon Spacer, 1/32	12
31327	FT VCS3 Shock Bottom Caps	2
31510	M2x4mm BHCS	10
89278	M2.6x6mm Washer	20
91304	FT 12mm Threaded Collars	2
91480	12x23mm V2 Shock Bodies	2
91481	12x27.5mm V2 Shock Bodies	2
91491	12mm V2 Shock Rebuild Kit	1
91617	3x23mm V2 Shock Shaft, TiN	2
91619	3x27.5mm V2 Shock Shaft, TiN	2
91626	FT 12 mm Pistons V2, 2x1.6 mm, flat	4
91627	FT 12 mm Pistons V2, 2x1.7 mm, flat	4
91721	B6 Shock Eyelets, Set	1
91814	B6.1 Shock Caps and Spring Cups Set	1
91819	B6.1 Shock Pivot Balls	4



:: FT Options - Shocks

91493	FT Low Friction X-Rings	4
91494	FT 12 mm Machined Shock Spacers, V2	1
91495	FT 12mm V2 X-Ring Rebuild Kit	1
91569	FT 12x24 mm FOX(R) Shock Bodies with Genuine Kashima Coat, V2, threaded	2
91578	FT 12x31mm FOX(R) Shock Bodies with Genuine Kashima Coat, V2, threaded	2
91621	FT 12mm Pistons, V2, 2x1.6, Thin	4
91622	FT 12mm Pistons, V2, 2x1.7, Thin	4
91643	FT 3x24mm V2 Shock Shaft, Chrome	2
91645	FT 3x29mm V2 Shock Shaft, Chrome	2

:: Shock Fluid

5420	10 Weight Silicone Shock Fluid	2oz.
5421	20 Weight Silicone Shock Fluid	2oz.
5422	30 Weight Silicone Shock Fluid	2oz.
5423	40 Weight Silicone Shock Fluid	2oz.
5424	22.5 Weight Silicone Shock Fluid	2oz.
5425	80 Weight Silicone Shock Fluid	2oz.
5426	27.5 Weight Silicone Shock Fluid	2oz.
5427	15 Weight Silicone Shock Fluid	2oz.
5428	25 Weight Silicone Shock Fluid	2oz.
5429	35 Weight Silicone Shock Fluid	2oz.
5430	45 Weight Silicone Shock Fluid	2oz.
5431	55 Weight Silicone Shock Fluid	2oz.
5432	32.5 Weight Silicone Shock Fluid	2oz.
5433	37.5 Weight Silicone Shock Fluid	2oz.
5434	42.5 Weight Silicone Shock Fluid	2oz.
5435	50 Weight Silicone Shock Fluid	2oz.
5436	60 Weight Silicone Shock Fluid	2oz.
5437	70 Weight Silicone Shock Fluid	2oz.
5438	47.5 Weight Silicone Shock Fluid	2oz.



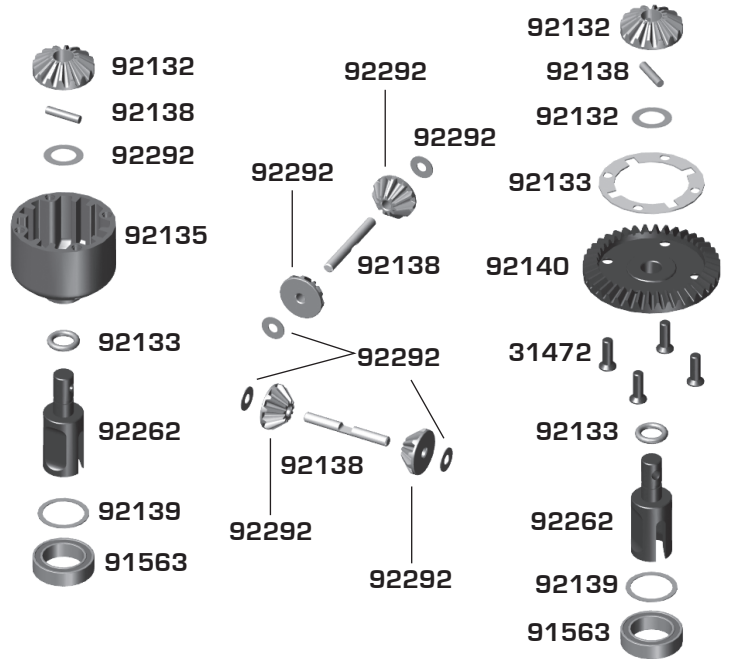
:: Springs

91830	Front Shock Springs, Green, 3.10 lb/in, L 44mm	2
91831	Front Shock Springs, White, 3.40 lb/in, L 44mm	2
91832	Front Shock Springs, Gray, 3.60 lb/in, L 44mm	2
91833	Front Shock Springs, Blue, 3.90 lb/in, L 44mm	2
91834	Front Shock Springs, Yellow, 4.30 lb/in, L 44mm	2
91835	Front Shock Springs, Red, 4.60 lb/in, L 44mm	2
91836	Front Shock Springs, Orange, 5.10 lb/in, L 44mm	2
91837	Rear Shock Springs, Green, 1.80 lb/in, L 61mm	2
91838	Rear Shock Springs, White, 1.90 lb/in, L 61mm	2
91839	Rear Shock Springs, Gray, 2.00 lb/in, L 61mm	2
91840	Rear Shock Springs, Blue, 2.20 lb/in, L 61mm	2
91841	Rear Shock Springs, Yellow, 2.30 lb/in, L 61mm	2



:: Differentials

31472	M2.5x8mm FHCS	10
91563	FT Bearings, 10x15x4mm	4
92133	B74 Diff Gasket and O-Rings Set	1
92134	B74 Diff Set (front, rear)	1
92135	B74 Diff Case (front, rear)	1
92138	B74 Diff Cross Pin	2
92139	Diff Outdrive Shims Set	1
92140	B74 Diff Ring Gear	1
92262	B74 Diff Outdrives, FR/RR, 16mm	2
92292	B74 Gear Diff Rebuild V2	1



:: Differential Fluid

5451	Silicone Diff Fluid 2,000CST	2oz.
5452	Silicone Diff Fluid 3,000CST	2oz.
5444	Silicone Diff Fluid 4,000CST	2oz.
5453	Silicone Diff Fluid 5,000CST	2oz.
5446	Silicone Diff Fluid 6,000CST	2oz.
5454	Silicone Diff Fluid 7,000CST	2oz.
5455	Silicone Diff Fluid 10,000CST	2oz.
5447	Silicone Diff Fluid 15,000CST	2oz.
5456	Silicone Diff Fluid 20,000CST	2oz.
5457	Silicone Diff Fluid 30,000CST	2oz.
5458	Silicone Diff Fluid 60,000CST	2oz.
5448	Silicone Diff Fluid 80,000CST	2oz.
5459	Silicone Diff Fluid 100,000CST	2oz.
5461	Silicone Diff Fluid 200,000CST	2oz.
5463	Silicone Diff Fluid 500,000CST	2oz.
5465	Silicone Diff Fluid 1,000,000CST	2oz.



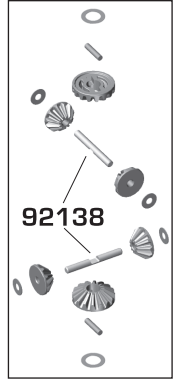
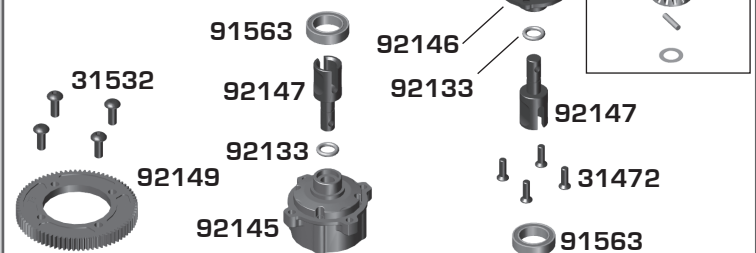
:: Slipper

25225	M3 x 3mm Set Screw	10
91563	FT Bearings, 10x15x4mm	4
92275	B74.1 Slipper Shaft Outdrive Set	1
92276	Slipper Spring, 500lb/in	1
92277	B74.1 Slipper Set (2-Pad)	1
92278	B74.1 Slipper Hub (front)	1
92279	B74.1 Slipper Hub (rear)	1
92281	B74.1 3 Pad Slipper Hubs (front)	1
92282	B74.1 3 Pad Slipper Conversion	1
92285	Octalock LCF Slipper Pad (11mm)	2
92286	Octalock LCF Slipper Pad (19mm)	2
92288	Octalock Slipper Pad (19mm)	2
92293	Octalock Spur Gear (72T, 48P)	1
92294	Octalock Spur Gear (75T, 48P)	1
92295	Octalock Spur Gear (78T, 48P)	1
92296	Octalock Spur Gear (81T, 48P)	1



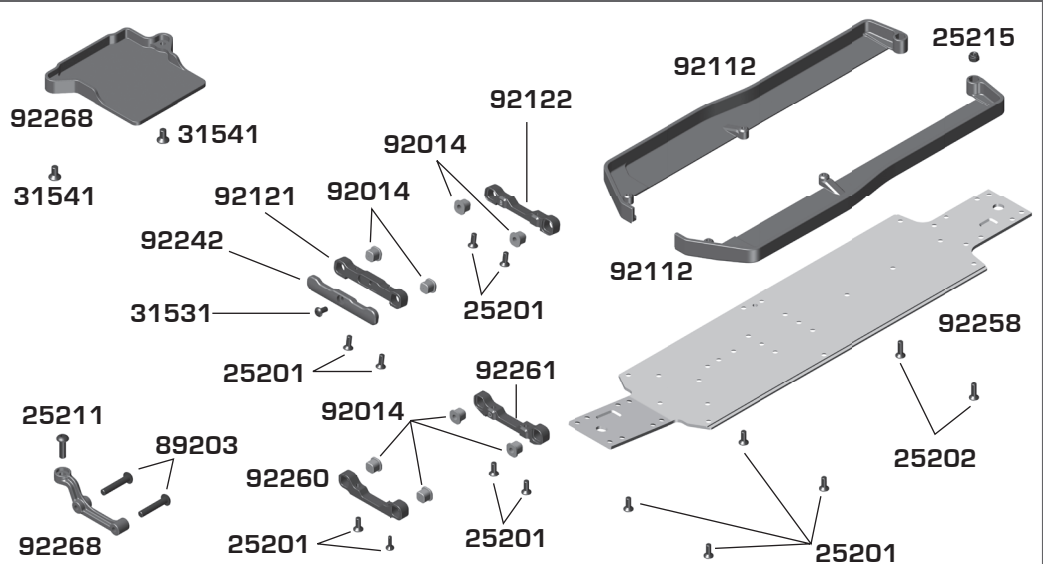
:: Center Diff

31472	M2.5 x 8mm FHCS	10
31532	M3 x 8mm BHCS	10
91563	FT Bearings, 10x15x4mm	4
92133	B74 Diff Gasket & O-Rings Set	1
92138	B74 Diff Cross Pin	2
92144	FT B74 Diff Set, Center	1
92145	B74 Diff Case, Center	1
92146	B74 Diff Cap, Center	1
92147	B74 Diff Outdrive, Center	2
92149	B74 Center Diff Spur Gears (72T-48P, 78T-48P)	1 ea.
92292	B74 Gear Diff Rebuild V2	1



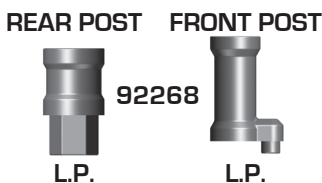
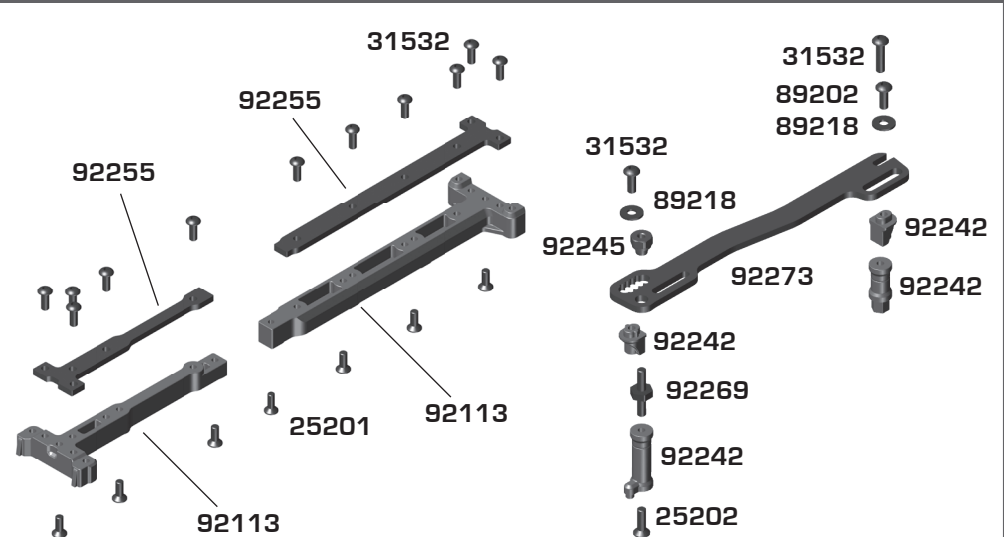
:: Chassis and Arm Mounts

25201	M3 x 8mm FHCS	10
25202	M3 x 10mm FHCS	10
25211	M3 x 10mm BHCS	10
25215	M3 Locknuts	10
31531	M3 x 6mm BHCS	10
31541	M3 x 6mm FHCS	10
89203	M3 x 16mm BHCS	10
92014	Arm Mount Inserts Set	1
92112	B74 Side Guards	Pr.
92121	B74 Arm Mount, A	1
92122	B74 Arm Mount, B	1
92242	B74 Bumper & Post Set	1
92258	B74 Chassis V2	1
92260	B74.1 Arm mount C, LRC	1
92261	B74.1 Arm mount D, LRC	1
92268	ESC, Fan Mount	1



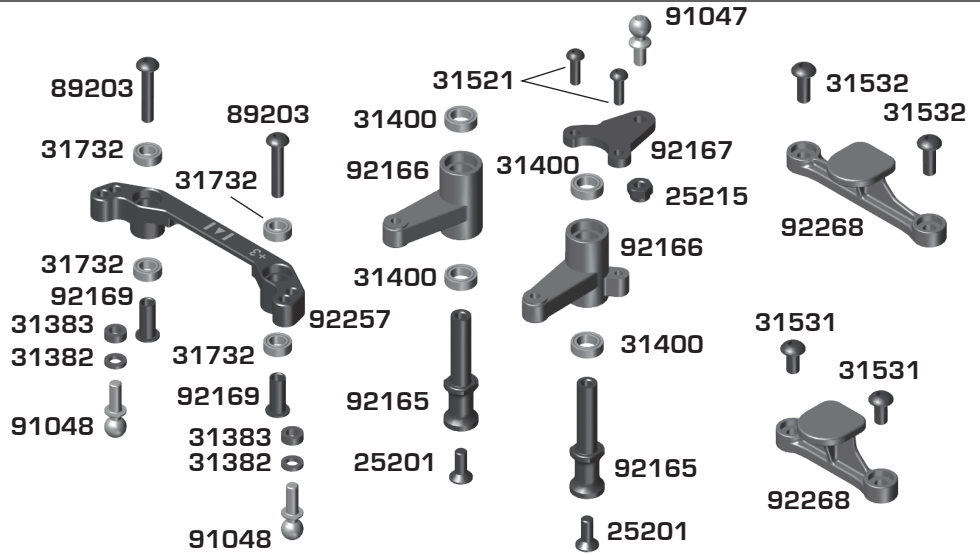
:: Chassis Braces and Battery Brace

25201	M3 x 8mm FHCS	10
25202	M3 x 10mm FHCS	10
31532	M3 x 8mm BHCS	10
89202	M3 x 12mm BHCS	10
89218	M3 x 8mm Washer	10
92113	B74 Chassis Brace, (front & rear)	Pr.
92242	B74 Bumper & Post Set	1
92245	B74 Battery Strap Nut	2
92255	Chassis Brace Supports, G10, 2mm	1
92268	LP Battery Posts	1
92269	Battery Tray Shoulder Screw	2
92273	B74.1 Battery Strap	1



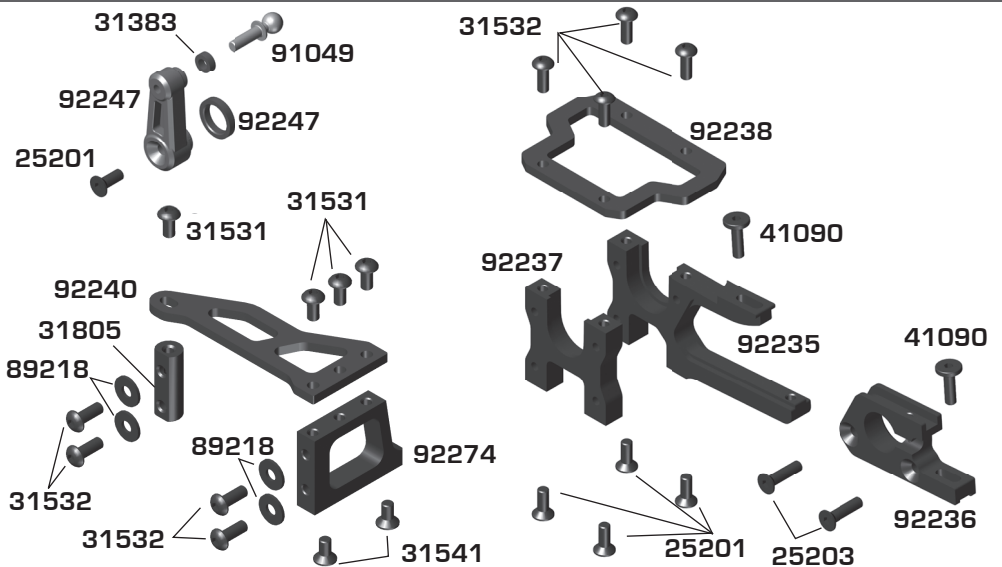
:: Steering

25201	M3 x 8mm FHCS	10
25215	M3 Locknuts	10
31382	5.5 x 1mm Ballstud Washer	10
31383	5.5 x 2mm Ballstud Washer	10
31400	5x8x2.5mm Bearings	4
31521	M2.5x8mm BHCS	10
31531	M3x6mm BHCS	10
31532	M3x8mm BHCS	10
31732	4x7x2.5mm Bearings	4
89203	M3x16mm BHCS	10
91047	6mm Heavy-duty Ballstuds	10
91048	8mm Heavy-duty Ballstuds	10
92165	B74 Steering Bellcrank Post	2
92166	B74 Steering Bellcrank	1 ea.
92167	B74 Steering Bellcrank Input Arm	1
92169	B74 Steering Rack Hat Bushing	2
92257	B74.1 Steering Rack	1
92268	Body Mounts	1



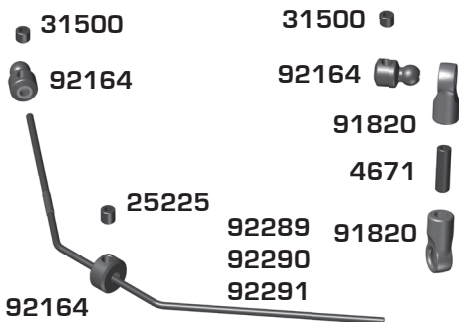
:: Center Bulkhead and Servo Mount

25201	M3 x 8mm FHCS	10
25203	M3 x 12mm FHCS	10
31383	5.5 x 2mm Ballstud Washer	10
31531	M3x6mm BHCS	10
31532	M3x8mm BHCS	10
31541	M3x6mm FHCS	10
31805	TC7.2 Outer Servo Mount, Black	1
41090	M3 x 10mm LP SHCS	10
89218	M3 x 8mm Washer	10
91049	10mm Heavy-duty Ballstuds	10
92235	B74 Motor Mount	1
92236	B74 Motor Mount Slide	1
92237	B74 Center Bulkhead	1
92238	B74 Center Bulkhead Brace	1
92240	B74 Servo Mount Brace	1
92247	Servo Horns	1
92274	B74.1 Servo Mount	1



:: Anti-Roll Bars

4671	M3x10mm Set Screw	10
25225	M3x3mm Set Screw	10
31500	M3x2.5mm Set Screw	10
91820	B6.1 Ball Ends Set	1
92164	B74 Anti-Roll Bar Collet	2
92289	B74.1 Anti-Roll Bar Set (1.0 - 1.3)	1
92290	B74.1 Anti-Roll Bar Set (1.4 - 1.7)	1
92291	B74.1 Anti-Roll Bar Set (1.8 - 2.0)	1



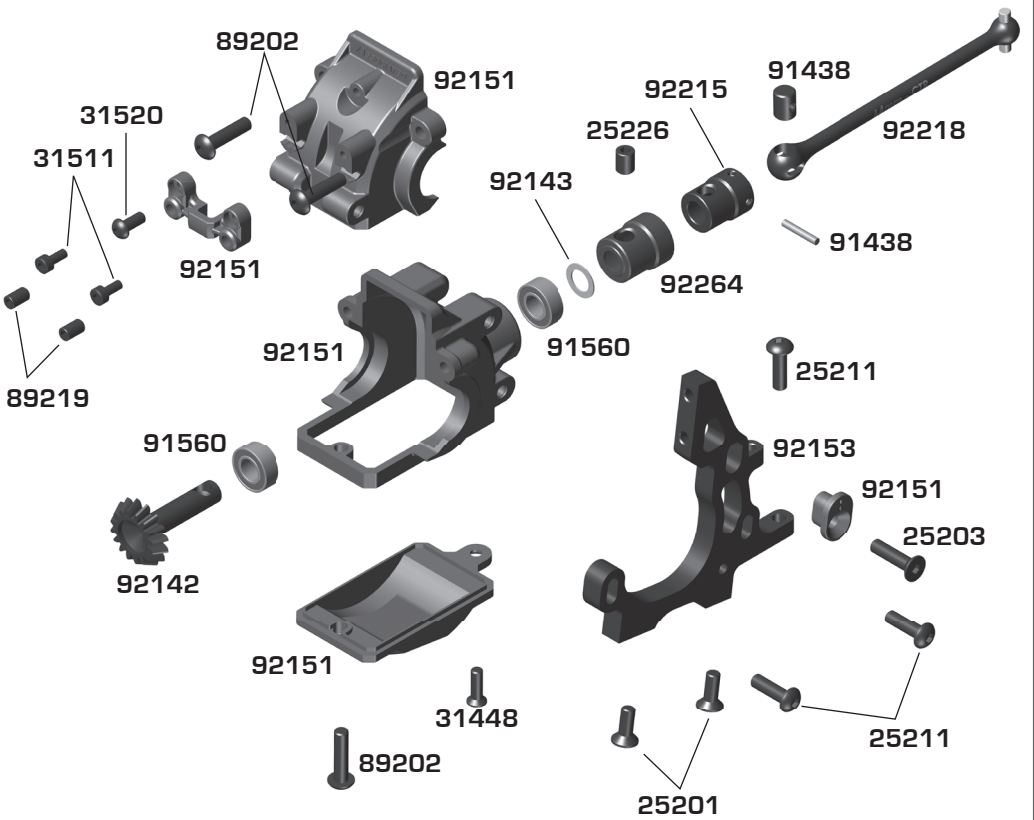
:: Pinions

1335	17T 48P Aluminum Pinion Gear	1
1336	18T 48P Aluminum Pinion Gear	1
1337	19T 48P Aluminum Pinion Gear	1
1338	20T 48P Aluminum Pinion Gear	1
1339	21T 48P Aluminum Pinion Gear	1
1340	22T 48P Aluminum Pinion Gear	1
1341	23T 48P Aluminum Pinion Gear	1
1342	24T 48P Aluminum Pinion Gear	1
1343	25T 48P Aluminum Pinion Gear	1
1344	26T 48P Aluminum Pinion Gear	1
1345	27T 48P Aluminum Pinion Gear	1
1346	28T 48P Aluminum Pinion Gear	1
1347	29T 48P Aluminum Pinion Gear	1
1348	30T 48P Aluminum Pinion Gear	1
1349	31T 48P Aluminum Pinion Gear	1
1350	32T 48P Aluminum Pinion Gear	1
1351	33T 48P Aluminum Pinion Gear	1
1352	34T 48P Aluminum Pinion Gear	1
25225	M3 x 3mm Set Screw	20



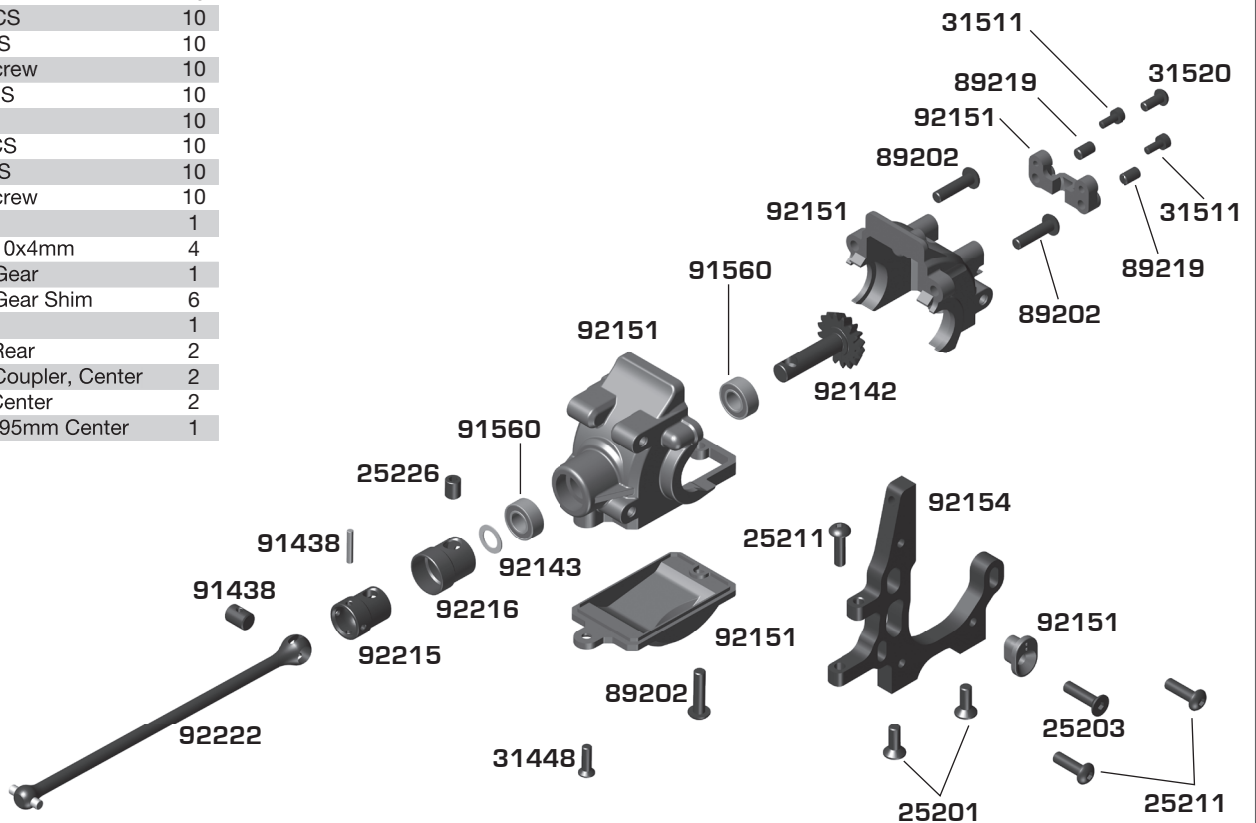
Front Gearbox

25201	M3 x 8mm FHCS	10
25203	M3 x 12mm FHCS	10
25211	M3x10mm BHCS	10
25226	M4x5mm Set Screw	10
31448	M2.5x8mm FHCS	10
31511	M2x5mm SHCS	10
31520	M2.5x6mm BHCS	10
89202	M3x10mm BHCS	10
89219	M3x5mm Set Screw	10
91438	CVA Rebuild Kit	1
91560	FT bearings, 5x10x4mm	4
92142	B74 Diff Pinion Gear	1
92143	B74 Diff Pinion Gear Shim	6
92151	B74 Gearbox	1
92153	B74 Bulkhead, Front	2
92215	B74 CVA Input Coupler, Center	2
92218	B74 CVA Bone, 64mm Center	1
92264	B74.1 CVA Cup, Center	2



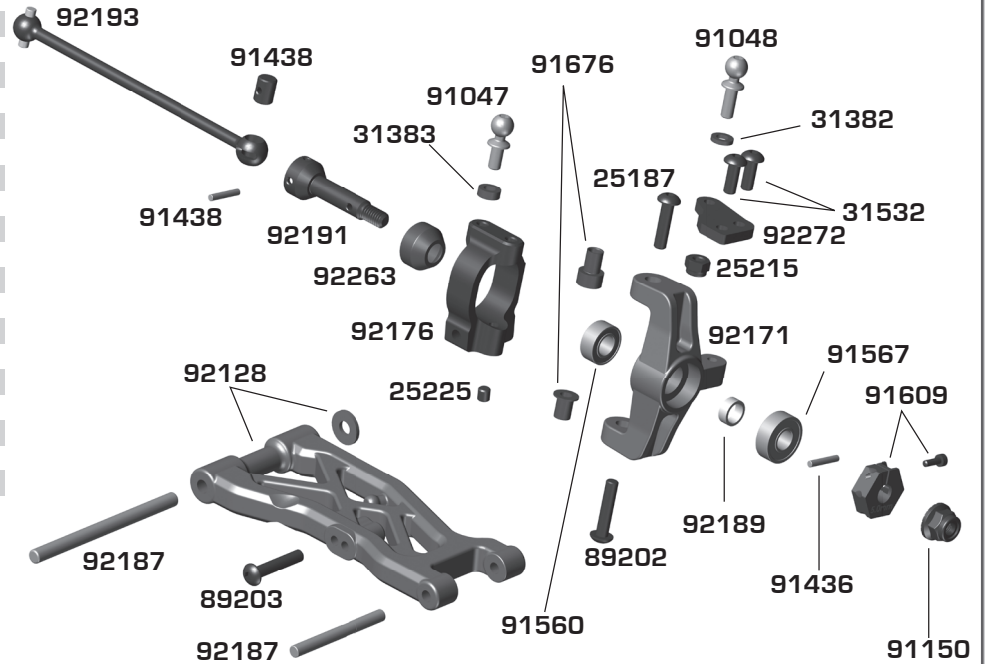
Rear Gearbox

25201	3 x 8mm FHCS	10
25203	M3 x 12mm FHCS	10
25211	M3x10mm BHCS	10
25226	M4x5mm Set Screw	10
31448	M2.5x8mm FHCS	10
31511	M2x5mm SHCS	10
31520	M2.5x6mm BHCS	10
89202	M3x10mm BHCS	10
89219	M3x5mm Set Screw	10
91438	CVA Rebuild Kit	1
91560	FT bearings, 5x10x4mm	4
92142	B74 Diff Pinion Gear	1
92143	B74 Diff Pinion Gear Shim	6
92151	B74 Gearbox	1
92154	B74 Bulkhead, Rear	2
92215	B74 CVA Input Coupler, Center	2
92216	B74 CVA Cup, Center	2
92222	B74 CVA Bone, 95mm Center	1



:: Front Suspension

25187	M3x14mm BHCS	10
25215	M3 Locknut	10
25225	M3x3mm Set Screw	10
31382	5.5 x 1mm Ballstud Washer	10
31383	5.5 x 2mm Ballstud Washer	10
31532	M3x8mm BHCS	10
89202	M3x10mm BHCS	10
89203	M3x16mm BHCS	10
91047	6mm Heavy-duty Ballstuds	10
91048	8mm Heavy-duty Ballstuds	10
91150	LP Steel Serrated Wheel Nut, M4	10
91436	CVA/Wheel Hex Pin	4
91438	CVA Rebuild Kit	1
91560	FT bearings, 5x10x4mm	4
91567	FT Bearings, 5x12x4mm	4
91609	FT Clamping Wheel Hexes, 5.0mm	2
91676	B6 Caster Hat Bushings Set	1
92128	B74 Suspension Arm, Front	Pr.
92171	B74 Steering Block	Pr.
92176	B74 Caster Block, 9 degree	Pr.
92187	B74 Hinge Pin Set	1
92189	B74 Axle Crush Tube, Front	2
92190	B74 CVA Set, Front	1
92191	B74 CVA Axle, Front	2
92192	B74 CVA Cup, Front	2
92193	B74 CVA Bone, 74mm	2
92263	B74.1 Front CVA Retainer	2
92272	B74.1 Steering Block Arm	2

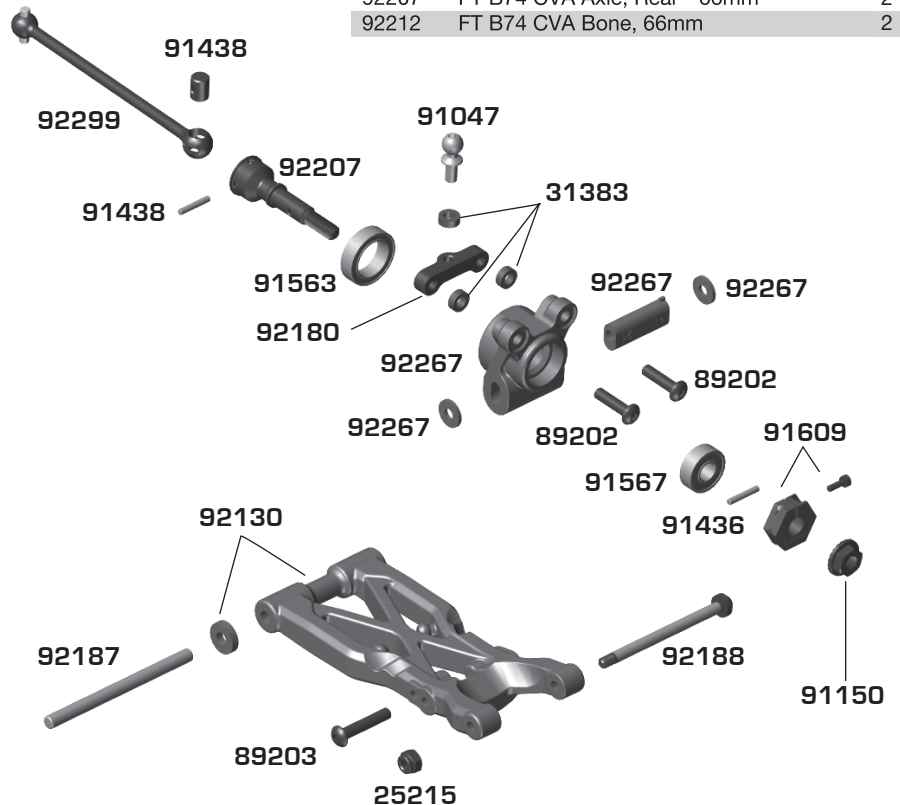


:: FT Options - Front Suspension

31633	FT DCV Rebuild Kit	1
31636	FT DCV Coupler Tubes	2
92129	FT B74 Suspension Arm, Front, HARD	Pr.
92175	FT B74 Caster Block, 8 degree	Pr.
92177	FT B74 Caster Block, 10 degree	Pr.
92197	B74 DCV Set, Front	1
92198	B74 DCV Axle, Front	2
92201	B74 DCV Bone, 70.5mm	2

:: Rear Suspension

25215	M3 Locknut	10
31383	5.5 x 2mm Ballstud Washer	10
89202	M3x12mm BHCS	10
89203	M3x16mm BHCS	10
91047	6mm Heavy-duty Ballstuds	10
91150	LP Steel Serrated Wheel Nut, M4	10
91436	CVA/Wheel Hex Pin	4
91438	CVA Rebuild Kit	1
91563	FT bearings, 10x15x4mm	4
91567	FT Bearings, 5x12x4mm	4
91609	FT Clamping Wheel Hexes, 5.0mm	2
92130	B74 Suspension Arm, Rear	Pr.
92131	B74 Suspension Arm, Rear, HARD	Pr.
92180	B74 Rear Hub Link Mount	2
92185	FT B74 Graphite Rear Hub Link Shim Set	1
92187	B74 Hinge Pin Set	1
92188	B74 Rear Hub Hinge Pin	2
92022	B74 CVA Set, Rear	1
92203	B74 CVA Axle, Rear	2
92207	FT B74 CVA Axle, Rear - 66mm	2
92212	FT B74 CVA Bone, 66mm	2
92267	B74.1 Rear Hub	Pr.
92299	B74 CVA Bone, 66mm	2

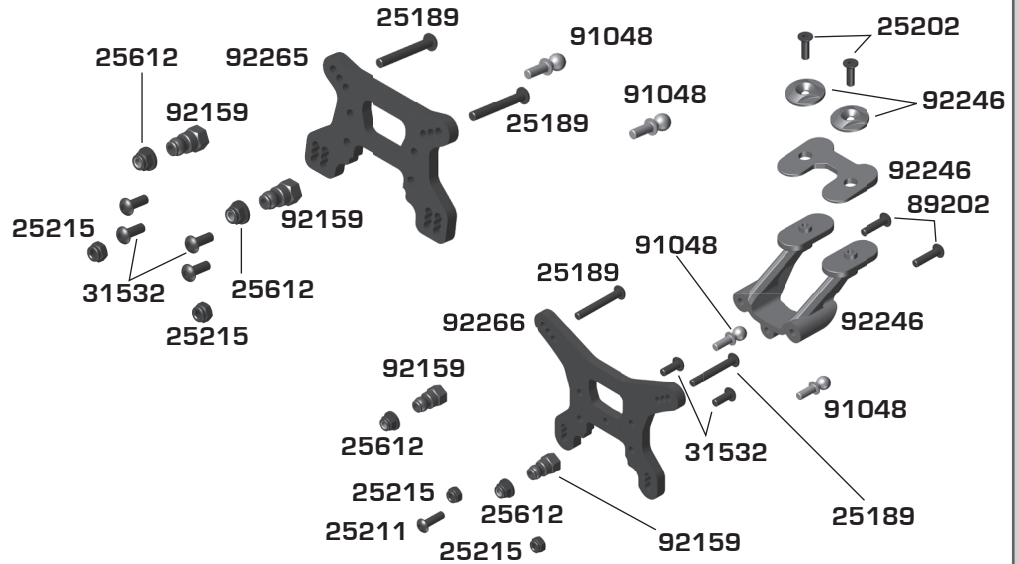


:: FT Options - Front Suspension

92131	B74 Suspension Arm, Rear, HARD	Pr.
92185	FT B74 Graphite Rear Hub Link Shim Set	1
92207	FT B74 CVA Axle, Rear - 66mm	2
92212	FT B74 CVA Bone, 66mm	2

:: Front / Rear Shock Tower

25189	M3x22mm BHCS	10
25202	M3x10mm FHCS	10
25211	M3x10mm BHCS	10
25215	M3 Locknut	10
25612	M3 Locknut, Flanged, Black	10
31532	M3x8mm BHCS	10
89202	M3x10mm BHCS	10
91048	8mm Heavy-duty Ballstuds	10
92159	B74 Shock Bushing, 10mm	4
92246	B74 Wing Mount, Rear	1
92265	B74.1 Shock Tower, Front, 23mm	1
92266	B74.1 Shock Tower, Rear, 27.5mm	1



:: FT Options - Rear Shock Tower

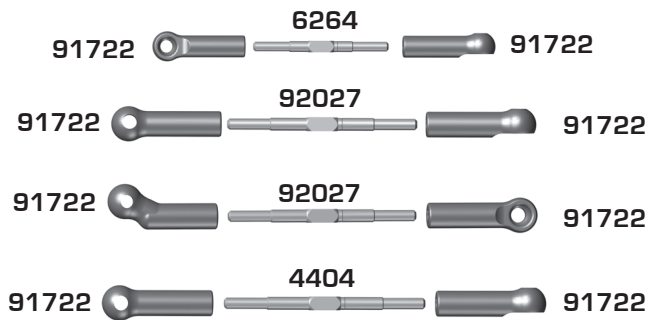
92100	FT Aluminum Wing Buttons	2
-------	--------------------------	---

:: Turnbuckle Links

4404	3x45mm Turnbuckle, Silver	2
6264	3x35mm Turnbuckle, Silver	2
91722	B6 Ballcaps Set	1
92027	3x42mm Turnbuckle, Silver	2

:: FT Options - Turnbuckle Links

1404	FT Titanium Turnbuckles, 45 mm, Silver	2
1405	FT Titanium Turnbuckles, 48 mm, Silver	2
1413	FT Titanium Turnbuckles, 38 mm, Silver	2



:: Body and Decals

21173	Body Clips	10
91741	B6 Wing	1
91743	Adhesive Hook and Loop	1
92109	B74 Decal Sheet	1
92250	B74 Body	1
92251	B74 Body, Lightweight	1
92252	B74 Front Scoop	1

:: MyLaps Transponders

MLP10R120	MyLaps RC4 (3-wire) Transponder	1
MLP10R147	MyLaps RC4 (3-wire) Pro Transponder, Black	1
MLP40R222	MyLaps Transponder Holder	1

:: Wheels

9695	Buggy Rear Wheel Hex, 12mm Hex, White	2
9696	Buggy Rear Wheel Hex, 12mm Hex, Yellow	2
92095	4WD Front Wheels, 2.2 in, 12mm Hex, White	2
92096	4WD Front Wheels, 2.2 in, 12mm Hex, Yellow	2

:: Apparel / Promotional

TEE SHIRTS

SP124*	AE 2017 Worlds Tee, Black (S, M, L, XL-5XL)	1
SP126*	Team Associated Tri T-Shirt, Black (S, M, L, XL-5XL)	1
SP140*	Reedy Heritage Tee, Black (S, M, L, XL-5XL)	1
SP200*	Element RC Logo Tee, Gray (S, M, L, XL-5XL)	1
SP201*	Element RC Rhombus Tee, Black (S, M, L, XL-5XL)	1

HOODIES/JACKETS

SP142*	Reedy W19 Hoodie - Black (S, M, L, XL-3XL)	1
SP230	Element RC Zip Up, Black (S, M, L, XL-5XL)	1
SP231	Element RC Hoodie, Black (S, M, L, XL-5XL)	1
SP250	Element RC Jacket, Black (S, M, L, XL-2XL)	1

HATS

SP20	AE Patch Trucker Hat	1
SP430	Reedy Trucker Hat 2018	1
SP260	Element RC Hat, Curved Bill, Black	1
SP261	Element RC Hat, Flat Bill, Black	1
SP262	Element RC Beanie, Black	1

BANNERS/MATS CARRIERS

SP29	Team Associated Countertop/Setup Mat	1
SP30	Team Associated Pit Mat	1
SP31	Reedy Countertop/Setup Mat	1
SP115	Reedy Circuit Cloth Banner	1
SP280	Element RC Counter Top Mat	1
SP281	Element RC Pit Mat	1
SP282	Element RC Pit Towel	1
SP425	FT Fluid Carrier	1
SP426	Team Associated Countertop / Setup Mat	1
SP427	Reedy Countertop / Setup Mat	1
110684	Team Associated Track Banner	1
110685	Team Associated Cloth Banner	1

** Use part number plus the desired size when ordering!

:: Factory Team and Option Parts

1364	FT Aluminum Servo Horn, 23T, 15.5mm	1
1366	FT Aluminum Servo Horn, 25T, 15.5mm	1
1369	FT Aluminum Clamping Servo Horn 23T, 15.5 mm	1
1370	FT Aluminum Clamping Servo Horn 25T, 15.5 mm	1
1404	FT Titanium Turnbuckles, 45 mm, Silver	2
1405	FT Titanium Turnbuckles, 48 mm, Silver	2
1413	FT Titanium Turnbuckles, 38 mm, Silver	2
31381	Aluminum Ballstud Washers, 5.5x0.5mm	10
31382	Aluminum Ballstud Washers, 5.5x1.0mm	10
31383	Aluminum Ballstud Washers, 5.5x2.0mm	10
31384	Bulkhead Washers, 7.8x0.5 mm, blue aluminum	10
31385	Bulkhead Washers, 7.8x1.0 mm, blue aluminum	10
31386	Bulkhead Washers, 7.8x2.0 mm, blue aluminum	10
31633	FT DCV Rebuild Kit	1
31636	FT DCV Coupler Tubes	2
71014	FT Clamping Wheel Hexes, 8.5mm	2
71034	FT Clamping Wheel Hexes, 6.0mm	2
91118	FT HD Ballstuds, 6mm TiN	2
91119	FT HD Ballstuds, 8mm TiN	2
91120	FT HD Ballstuds, 10mm TiN	2
91452	FT HD Ballstuds, 4mm TiN	2
91493	FT Low Friction X-Rings	4
91494	FT 12mm Machined Shock Spacers, V2	1
91495	FT 12mm V2 X-Ring Rebuild Kit	1
91569	FT 12x24 mm FOX(R) Shock Bodies with Genuine Kashima Coat, V2, threaded	2
91578	FT 12x31mm FOX(R) Shock Bodies with Genuine Kashima Coat, V2, threaded	2
91580	Titanium Screws, 3x6mm BHCS	4
91581	Titanium Screws, 3x8mm BHCS	4
91582	Titanium Screws, 3x10mm BHCS	4
91583	Titanium Screws, 3x12mm BHCS	4
91584	Titanium Screws, 3x14mm BHCS	4
91585	Titanium Screws, 3x16mm BHCS	4
91588	Titanium Screws, 3x22mm BHCS	4
91589	Titanium Screws, 3x24mm BHCS	4
91592	Titanium Screws, 3x8mm FHCS	4
91593	Titanium Screws, 3x10mm FHCS	4
91594	Titanium Screws, 3x12mm FHCS	4
91595	Titanium Screws, 3x14mm FHCS	4
91596	Titanium Screws, 3x16mm FHCS	4
91597	Titanium Screws, 3x18mm FHCS	4
91610	FT Clamping Wheel Hexes, 7.0mm	2
91620	3 x 27.5mm Shock Shaft (V2), Chrome	2
91621	FT 12mm Pistons, V2, 2x1.6, Thin	4
91622	FT 12mm Pistons, V2, 2x1.7, Thin	4
91625	FT 12mm Pistons V2, 2 x 1.5, flat	4
91626	FT 12mm Pistons (V2), 2x1.6 mm, flat	4
91627	FT 12mm Pistons V2, 2 x 1.7, flat	4
91628	FT 12mm Pistons (V2), 3x1.4 mm, flat	4
91630	FT 12mm Pistons (V2), Blank, flat	4
91631	FT 12mm Pistons (V2), 3x1.4 mm, tapered	4
91633	FT 12mm Pistons (V2), Blank, tapered	4
91643	FT 3x24mm V2 Shock Shaft, Chrome	2
91645	FT 3x29mm V2 Shock Shaft, Chrome	2
91750	HD Titanium Ball Stud, 4mm	2
91751	HD Titanium Ball Stud, 6mm	2
91752	HD Titanium Ball Stud, 8mm	2
91753	HD Titanium Ball Stud, 10mm	2
92076	B64 Gear Diff Rebuild, Plastic	1
92100	FT Wing Buttons, Aluminum, Black	2
92129	FT B74 Suspension Arm, Front, HARD	Pr.
92131	B74 Suspension Arm, Rear, HARD	Pr.
92144	B74 Diff Set, Center	1
92175	FT B74 Caster Block, 8 degree	Pr.
92177	FT B74 Caster Block, 10 degree	Pr.
92185	FT B74 Graphite Rear Hub Link Shim Set	1
92197	B74 DCV Set, Front	1
92198	B74 DCV Axle, Front	2
92201	B74 DCV Bone, 70.5mm	2
92207	FT B74 CVA Axle, Rear - 66mm	2
92212	FT B74 CVA Bone, 66mm	2

:: Tools

1111	FT Turnbuckle Wrench	1
1112	FT 4mm Turnbuckle Wrench	1
1114	FT Dual Turnbuckle Wrench	1
1452	FT TC Ride Height Gauge	1
1498	FT Universal Tire Balancer	1
1499	FT Body Reamer	1
1500	FT 1.5mm Hex Driver	1
1501	FT 2.0mm Hex Driver	1
1502	FT 2.0mm Ball Hex Driver	1
1503	FT 2.5mm Hex Driver	1
1504	FT 2.5mm Ball Hex Driver	1
1505	FT 3.0mm Hex Driver	1
1506	FT 5.0mm Hex Driver	1
1507	FT 5.5mm Nut Driver	1
1508	FT 7.0mm Nut Driver	1
1510	FT 1.5mm Hex Replacement Tip	1
1511	FT 2.0mm Hex Replacement Tip	1
1512	FT 2.0mm Ball Replacement Tip	1
1513	FT 2.5mm Hex Replacement Tip	1
1514	FT 2.5mm Ball Replacement Tip	1
1515	FT 3.0mm Hex Replacement Tip	1
1518	FT HEX Driver Tool Set (3pcs)	1
1519	FT Hex/Nut Driver Tool Set (5pc)	1
1522	FT Digital Scale, 100/0.01g	1
1555	FT Clutch Gauge, 4 Shoe	1
1568	FT 5.5mm Short Nut Driver	1
1569	FT 7mm Nut Driver, T-Handle	1
1570	FT 5.5mm Short Nut Driver	1
1571	FT 1:8 Wheel Nut Wrench, 17mm Hex	1
1579	FT Ball Cup Wrench - (will not work on Enduro rod ends)	1
1595	Chassis Weights, 1/4 oz	1
1650	7 Piece Hex Driver Set	1
1657	FT 1/4" Hex Drive .050" Tip	1
1659	FT 1/4" Hex Drive 5/64" - 2.0mm Tip	1
1661	FT 1/4" Hex Drive 1.5mm Tip	1
1662	FT 1/4" Hex Drive 2.5mm Tip	1
1666	FT 1/4" Hex Drive 5.5mm Nut Driver Tip	1
1667	FT 1/4" Hex Drive 7.0mm Nut Driver Tip	1
1668	FT 1/4" Hex Drive 8.0mm Nut Driver Tip	1
1674	FT 1/4" 5 Piece Power Tool Tips Set (5/64-2.0mm, 1.5mm, 2.5mm, 5/64"- 2.0mm ball, 2.5mm ball)	1
1679	FT T-Handle Ratchet Driver	1
1737	FT Body Scissors	1
3719	6 Inch Nylon Wire Ties	12
3987	FT Droop Gauge	1
89240	RC8 FT Turnbuckle Wrench	1

:: Lubes & Adhesives / Misc.

1105	FT Green Slime Shock Lube	1
1596	FT Locking Adhesive	1
1597	FT Tire Adhesive, medium	1
6588	Black Grease - 4cc	1
6591	S.Diff Lube - 4cc	1
6636	Silicone Grease - 4cc	1
6727	Servo Tape	2
3840	2016 Team Associated Decal Sheet	1



:: Reedy Competition Motors & Spare Parts

293	Sonic 540 FT 17.5 Fixed Timing	1
294	Sonic 540 FT 13.5 Fixed Timing	1
295	Sonic 540-FT Spec Rotor 12.0 x 7.25 x 25.3	1
297	Sonic 540 FT 21.5 Fixed Timing	1
27400	S-Plus 25.5 Spec	1
27401	S-Plus 21.5 Spec	1
27402	S-Plus 17.5 Spec	1
27403	S-Plus 13.5 Spec	1
27404	S-Plus 10.5 Spec - Torque	1
27414	540-M3/S-Plus Spec Rotor 12.5 x 7.15 x 24.2	1
27415	540-M3/S-Plus Spec Rotor 12.3 x 7.15 x 24.2	1
27417	S-Plus Screw Set	1
27418	540-M3/S-Plus Lightweight Sensor Board	1
27419	S-Plus Front Plate	1
27420	540-M3/S-Plus Aluminum Case Screw Set	1
27421	540-M3/S-Plus Aluminum Timing Screw Set	1
27428	S-Plus 21.5 Spec - Torque	1
27429	S-Plus 17.5 Spec - Torque	1
27436	Sonic 540-M4 Modified Motor 17.5	1
27437	Sonic 540-M4 Modified Motor 13.5	1
27438	Sonic 540-M4 Modified Motor 9.5	1
27439	Sonic 540-M4 Modified Motor 8.5	1
27440	Sonic 540-M4 Modified Motor 8.0	1
27441	Sonic 540-M4 Modified Motor 7.5	1
27442	Sonic 540-M4 Modified Motor 7.0	1
27443	Sonic 540-M4 Modified Motor 6.5 1/12	1
27444	Sonic 540-M4 Modified Motor 6.5	1
27445	Sonic 540-M4 Modified Motor 6.0	1
27446	Sonic 540-M4 Modified Motor 5.5	1
27447	540-M4 Mod Rotor 12.5 x 7.25 x 25.3	1
27448	540-M4 Mod Rotor 12.5 x 5.0 x 25.3	1
27449	540-M4 Mod Rotor 13.0 x 5.0 x 25.3	1
27450	540-M4 Mod Rotor 12.0 x 5.0 x 25.3	1
27451	Sonic 540-M4 Modified Motor 5.0	1
27452	Sonic 540-M4 Modified Motor 4.5	1
27453	Sonic 540-M4 Modified Motor 4.0	1
27454	Sonic 540-M4 Modified Motor 3.5	1
27455	540-M4 Sensor Board	1
27456	540-M4 Ball Bearing Set	1
27460	540-M4 Mod Rotor 12.3 x 5.0 x 25.3	1

:: Reedy Competition Motor Accessories

978	Flat Sensor Wire 70mm	1
979	Flat Sensor Wire 110mm	1
980	Flat Sensor Wire 150mm	1
981	Flat Sensor Wire 200mm	1
982	Flat Sensor Wire 270mm	1
994	Flat Sensor Wire 125mm	1
995	Flat Sensor Wire 175mm	1
27423	30mm Motor Fan w/195mm extension	1
27457	30mm Aluminum Motor Fan w/195mm extension	1
27458	40mm Aluminum Motor Fan w/195mm extension	1

:: Reedy ESC's

27002	Blackbox 800Z 2S Zero-Timing Competition ESC	1
27004	Blackbox 510R Competition ESC	1
27005	Blackbox 510R Competition ESC w/PROgrammer2	1
27006	Blackbox 600Z 2S Zero-Timing Competition ESC	1
27024	Blackbox Pro Capacitor Unit	1
27027	Blackbox PROgrammer2	1
27028	Blackbox 30x30x7mm Fan w/screws	1
27029	Blackbox Pro Modified Capacitor Unit	1
27030	Blackbox ESC/Programmer2 Connection Wire	1
27031	Blackbox 510R 30x30x10mm Fan w/screws	1
27033	Blackbox 1000Z+ Pro Competition ESC	1

:: Reedy Chargers

27201	324-S AC LiPo/LiFe Compact Balance Charger	1
27202	123-S AC LiPo Compact Balance Charger	1
27203	1416-C2L Dual AC/DC Competition Battery Charger	1

:: Reedy Batteries

302	AA Alkaline 1.5V (4)	1
27313	LiPo Pro TX/RX 2400mAh 7.4V Flat	1
27315	LiFe Pro TX/RX 1600mAh 6.6V Flat	1
27318	Wolfpack HV LiPo 50C 4200mAh 7.6V Shorty	1
27347	Zappers SG3 6100mAh 85C 7.6V Shorty	1
27348	Zappers SG3 4800mAh 115C 7.6V Shorty	1
27349	Zappers SG3 4100mAh 85C 7.6V LP Shorty	1
27350	Zappers SG3 3600mAh 115C 7.6V LP Shorty	1

:: Reedy Charger Accessories

27220	Reedy 7-in-1 Universal Charge Lead (4mm)	1
27221	Reedy T-plug Charge Lead (4mm)	1
27222	Reedy XH 2-6S Balance Board (4mm)	1
27223	Reedy RX Charger Lead FUT (4mm)	1
27224	Reedy US to IEC 320 C5 angle 1M AC Power Cord	1
27226	Reedy EU to IEC 320 C5 angle 1M AC Power Cord	1
27233	Reedy 1-2S 4mm/5mm Pro Charge Lead	1
27234	Reedy 4S 5mm Pro Charge Lead	1
27235	Reedy 2S RX/TX Pro Charge Lead	1
27236	Reedy 2S-4S T-plug Pro Charge Lead	1
27237	Reedy 2S-4S XT60 Pro Charge Lead	1

:: Reedy Servos & Accessories

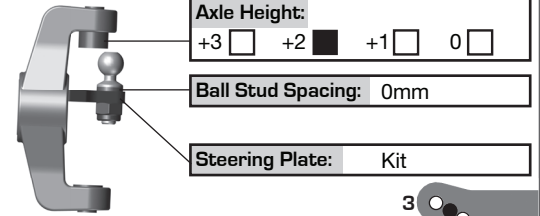
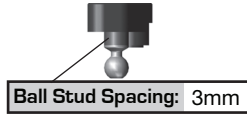
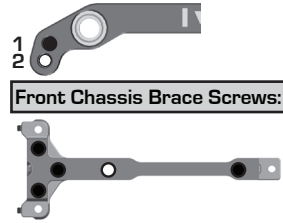
27100	RS1206 Digital HV Hi-Speed Competition Servo	1
27101	RT1508 Digital HV Hi-Torque Competition Servo	1
27102	RS1206 Case Set w/screws	1
27103	RS1206 Gear Set	1
27104	RT1508 Case Set w/screws	1
27105	RT1508 Gear Set	1
27107	RT2207A Digital HV Aluminum Hi-Torque Competition Servo	1
27109	RT1408 Digital HV Low-Profile Hi-Torque Competition Servo	1
27121	RT2207A Gear Set	1
27122	Reedy Aluminum Servo Horn (25)	1
27123	Reedy Aluminum Clamping Servo Horn (25)	1
27126	RT1408 Case Set w/screws	1
27128	RT1408 Gear Set	1

:: Reedy Accessories

643	Low Profile Bullet Plug 4mm x 14mm (2)	1
644	Low Profile Bullet Plug 4mm x 14mm (10)	1
645	Low Profile Bullet Plug 5mm x 14mm (2)	1
646	Low Profile Bullet Plug 5mm x 14mm (10)	1
647	Silicone Wire 12AWG-Black (1m)	1
648	Silicone Wire 14AWG-Black (1m)	1
650	Shrink Tubing - 15pcs 4.5mm x 20mm	1
747	Silicone Wire 12AWG-Black (30m)	1
790	Silicone Wire 13AWG-Black (1m)	1
791	Silicone Wire 13AWG-Black (30m)	1
792	Low Profile Caged Bullet Plug 4mm x 14mm (2)	1
794	Low Profile Caged Bullet Plug 5mm x 14mm (2)	1
27304	LiPo Battery Weight Set - Shorty	1
27355	Shorty Battery Weight Set - 20g, 34g, 50g	1

Front Suspension:

Ride Height:	18mm
Camber:	-1 degree
Toe:	+1 degree
Anti-Roll Bar:	1.2mm
Arm Type:	Kit
Wheelbase Shim:	Arm forward
Wheel Hex:	5.0mm
Caster Block:	8° <input type="checkbox"/> 9° <input checked="" type="checkbox"/> 10° <input type="checkbox"/>
Chassis Brace Support:	2mm G10
Top Plate Brace:	Yes <input type="checkbox"/> No <input checked="" type="checkbox"/>
Front Axles:	CVA <input checked="" type="checkbox"/> DCV <input type="checkbox"/>
Notes:	



Axle Height:

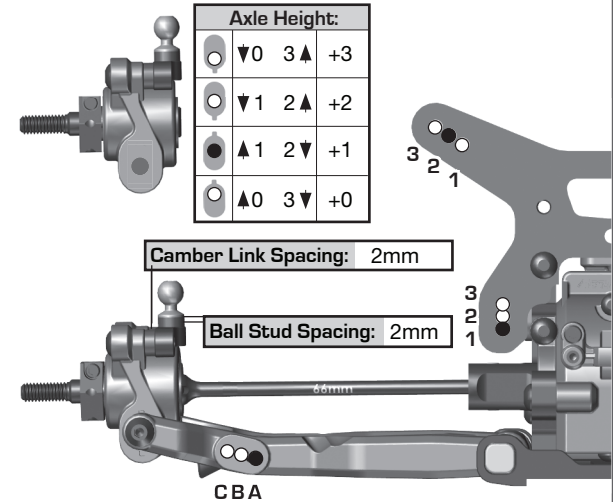
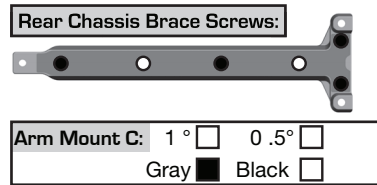
+3 +2 +1 0

Ball Stud Spacing: 0mm

Steering Plate: Kit

Rear Suspension:

Ride Height:	18mm
Camber:	-1 degree
Anti-Roll Bar:	1.3mm
Arm Type:	Kit
Wheelbase Shim:	Arm forward
Wheel Hex:	5.0mm
CVA Bone Length:	66mm bones
Chassis Brace Support:	2mm G10
Hub Spacing:	Fwd <input type="checkbox"/> Mid <input checked="" type="checkbox"/> Back <input type="checkbox"/>
Notes:	



Axle Height:

▼0	3▲	+3
▼1	2▲	+2
▲1	2▼	+1
▲0	3▼	+0

Electronics:

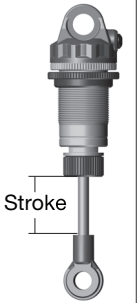
Radio:	Servo:
EPA: Throttle: %	Brake: %
ESC:	
ESC Settings:	
Motor:	
Wind:	Timing:
Pinion:	Spur:
Battery:	
Battery Position:	BACK 1 <input type="checkbox"/> 2 <input type="checkbox"/> 3 <input checked="" type="checkbox"/> 4 <input type="checkbox"/> FWD

Differential:

Front Fluid:	10k	Mass:	46g
Gears:	Plastic <input type="checkbox"/> Metal <input checked="" type="checkbox"/>		
Center Fluid:	200k	Mass:	44.5g
Gears:	Plastic <input type="checkbox"/> Metal <input checked="" type="checkbox"/>		
Rear Fluid:	10k	Mass:	46g
Gears:	Plastic <input type="checkbox"/> Metal <input checked="" type="checkbox"/>		
Slipper Clutch:			
Setting:			
Pad Type:	2 Pads <input type="checkbox"/> 3 Pads <input type="checkbox"/>		

Shocks:

	Front	Rear
Piston:	2 x 1.6	2 x 1.7
Fluid:	40 wt	35 wt
Spring:	Yellow	Blue
Limiters:	0	1 inside
Stroke:	22mm	27.5mm
Eyelet Length:	Long	Short
Cup Offset:	9mm	5mm
Notes:		



Track Info:

Size:	Small <input type="checkbox"/> Medium <input type="checkbox"/> Large <input type="checkbox"/> Extra Large <input type="checkbox"/>
Surface:	Dirt <input type="checkbox"/> Carpet <input type="checkbox"/> AstroTurf <input type="checkbox"/> Multi Surface <input type="checkbox"/>
Traction:	Low <input type="checkbox"/> Medium <input type="checkbox"/> High <input type="checkbox"/> Very High <input type="checkbox"/>
Moisture:	Dry <input type="checkbox"/> Damp <input type="checkbox"/> Wet <input type="checkbox"/>
Condition:	Indoor <input type="checkbox"/> Outdoor <input type="checkbox"/> Dusty <input type="checkbox"/> Hard Packed <input type="checkbox"/> Bumpy <input type="checkbox"/> Grooved <input type="checkbox"/> Smooth <input type="checkbox"/> Loamy <input type="checkbox"/>
Temperature:	Ambient: _____ Track: _____
Notes:	

Tires:

Front Tires:	
Front Compound:	
Front Insert:	
Rear Tires:	
Rear Compound:	
Rear Insert:	
Wheel (F/R):	
Notes:	

Body, Wing, Weight:





Body:	Light Weight
Wing:	Kit
Front Wing:	Yes <input type="checkbox"/> No <input type="checkbox"/>
Wing Angle:	0° <input type="checkbox"/> 6° <input type="checkbox"/>
Weights:	
Total Vehicle Weight:	

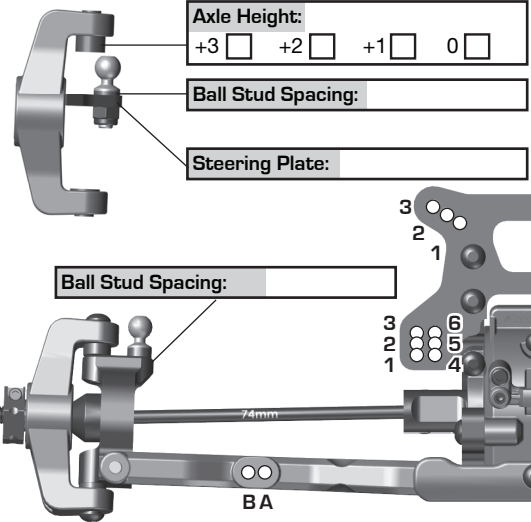
Vehicle Comments:

Notes: _____

Front Suspension:

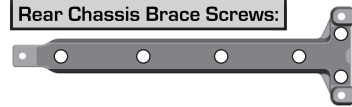


Ride Height: _____
 Camber: _____
 Toe: _____
 Anti-Roll Bar: _____
 Arm Type: _____
 Wheelbase Shim: _____
 Wheel Hex: _____
 Caster Block: 8° 9° 10°
 Chassis Brace Support: _____
 Top Plate Brace: Yes No
 Front Axles: CVA DCV
 Notes: _____

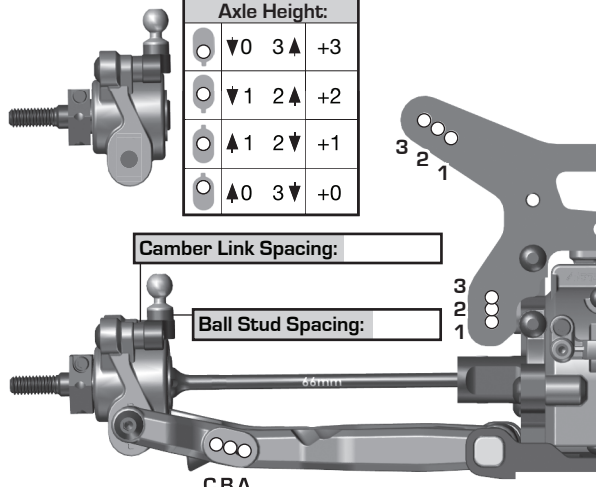
1  2
 Front Chassis Brace Screws: _____
 Ball Stud Spacing: _____

 Arm Mount A: 1° 0.5°
 Gray Black

 Arm Mount B: 1° 0.5°
 Gray Black


Axle Height: +3 +2 +1 0
 Ball Stud Spacing: _____
 Steering Plate: _____

 Ball Stud Spacing: _____
 Diff Height: +3 +2 +1 0
 BA

Rear Suspension:

Ride Height: _____
 Camber: _____
 Anti-Roll Bar: _____
 Arm Type: _____
 Wheelbase Shim: _____
 Wheel Hex: _____
 CVA Bone Length: _____
 Chassis Brace Support: _____
 Hub Spacing: Fwd Mid Back
 Notes: _____

Rear Chassis Brace Screws: _____

 Arm Mount C: 1° 0.5°
 Gray Black

 Arm Mount D: 1° 0.5°
 Gray Black


Axle Height: $\nabla 0$ 3 $\blacktriangle +3$
 $\nabla 1$ 2 $\blacktriangle +2$
 $\blacktriangle 1$ 2 $\nabla +1$
 $\blacktriangle 0$ 3 $\nabla +0$
 Camber Link Spacing: _____
 Ball Stud Spacing: _____

 Diff Height: +3 +2 +1 0
 CBA

Electronics:

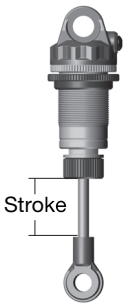
Radio: _____ Servo: _____
 EPA: Throttle: % Brake: %
 ESC: _____
 ESC Settings: _____
 Motor: _____
 Wind: _____ Timing: _____
 Pinion: _____ Spur: _____
 Battery: _____
 Battery Position: BACK 1 2 3 4 FWD

Differential:

Front Fluid: _____ Mass: _____
 Gears: Plastic Metal
 Center Fluid: _____ Mass: _____
 Gears: Plastic Metal
 Rear Fluid: _____ Mass: _____
 Gears: Plastic Metal
 Slipper Clutch: _____
 Setting: _____
 Pad Type: 2 Pads 3 Pads

Shocks:

	Front	Rear
Piston:	_____	_____
Fluid:	_____	_____
Spring:	_____	_____
Limiters:	_____	_____
Stroke:	_____	_____
Eyelet Length:	_____	_____
Cup Offset:	_____	_____
Notes:	_____	



Track Info:

Size: Small Medium Large Extra Large
 Surface: Dirt Carpet Astroturf Multi Surface
 Traction: Low Medium High Very High
 Moisture: Dry Damp Wet
 Condition: Indoor Outdoor Dusty Hard Packed
 Bumpy Grooved Smooth Loamy
 Temperature: Ambient: _____ Track: _____
 Notes: _____

Tires:

Front Tires: _____
 Front Compound: _____
 Front Insert: _____
 Rear Tires: _____
 Rear Compound: _____
 Rear Insert: _____
 Wheel (F/R): _____
 Notes: _____

Body, Wing, Weight:

Body: _____
 Wing: _____
 Front Wing: Yes No
 Wing Angle: 0° 6°
 Weights: _____
 Total Vehicle Weight: _____

Vehicle Comments:

Notes: _____



21062 Bake Parkway Lake Forest, CA 92630 USA

call: (949) 544-7500 - fax: (949) 544-7501

visit us at: www.AssociatedElectrics.com
for all of our current products, new releases, setup help,
tips, and racing info!

FOLLOW US ON SOCIAL MEDIA



TeamAssociated
ReedyPower
ElementRC



@TeamAssociatedRC
@ReedyPower
@Element RC



@Team_Associated
@ReedyPower



AEFactoryTeam