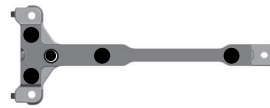


Front Suspension:

RESET

Ride Height:	16mm
Camber:	-1*
Toe:	0
Anti-Roll Bar:	1.2 mm
Arm Type:	#92328 FT Gullwing, Carbon
Tower Type:	#92314 Kit, Gullwing
Wheelbase Shim:	1 mm Behind Arm
Wheel Hex:	#91609 FT Clamping Wheel Hex, 5 mm
Caster Block:	8° <input checked="" type="checkbox"/> 9° <input type="checkbox"/> 10° <input type="checkbox"/>
Chassis Brace Support:	#92284 FT 2mm Carbon Fiber
Top Plate Brace:	Yes
Front Axles:	CVA <input checked="" type="checkbox"/> DCV <input type="checkbox"/>
Notes:	#92326 FT Front Gearbox, Carbon Spindle Ground For More Steering Throw

Front Chassis Brace Screws:



Steering Rack:

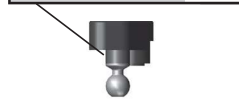


Axle Height:	+3 <input type="checkbox"/> +2 <input checked="" type="checkbox"/> +1 <input type="checkbox"/> 0 <input type="checkbox"/>
Ball Stud Spacing:	0 mm
Steering Plate:	#92376 FT +2

Arm Mount A:



Ball Stud Spacing:



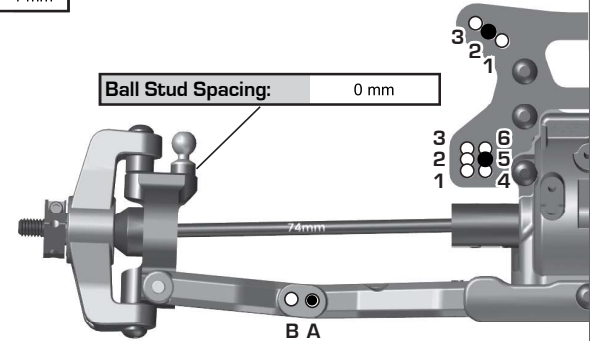
Ball Stud Spacing:	0 mm
--------------------	------

Arm Mount B:



Diff Height:

+2	<input type="checkbox"/>
+0	<input checked="" type="checkbox"/>



Rear Suspension:

Ride Height:	16mm
Camber:	-1
Anti-Roll Bar:	1.3 mm
Arm Type:	#92298 FT Carbon
Wheelbase Shim:	1.5 mm Behind Arm
Wheel Hex:	#91609 FT Clamping Hex, 5mm
Chassis Brace Support:	#92284 FT 2mm Carbon Fiber
Hub Spacing:	Fwd <input type="checkbox"/> Mid <input checked="" type="checkbox"/> Back <input type="checkbox"/>
Notes:	#92327 FT Rear Gearbox, Carbon

Rear Chassis Brace Screws:



Diff Height:

+3	<input type="checkbox"/>
+2	<input type="checkbox"/>
+1	<input type="checkbox"/>
+0	<input checked="" type="checkbox"/>

Vertical Ball Stud Mount:



Arm Mount C:



Ball Stud Spacing:

Ball Stud Spacing:	4 mm
--------------------	------

Arm Mount D:



Axle Height:

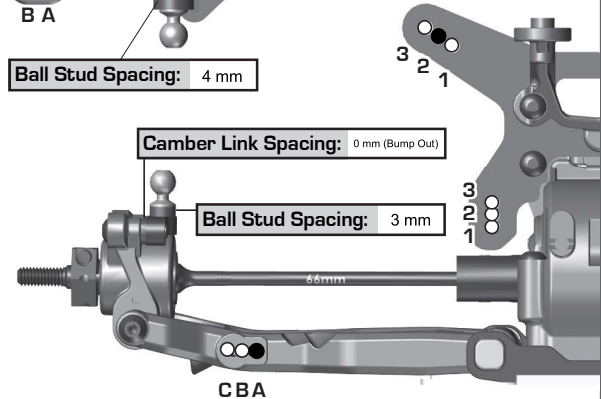
▼0 3▲	+3
▼1 2▲	+2
▲1 2▼	+1
▲0 3▼	+0

Camber Link Spacing:

Camber Link Spacing:	0 mm (Bump Out)
----------------------	-----------------

Ball Stud Spacing:

Ball Stud Spacing:	3 mm
--------------------	------



Electronics:

Radio:	Sanwa M17	Servo:	MKS 599
EPA: Throttle:	100 %	Brake:	98 %
ESC:	#27016 Reedy Blackbox 610R		
ESC Settings:	See Setup Sheet		
Motor / Wind:	#27481 Reedy SP5 13.5T	Timing:	42*
Pinion:	#1343 25T	Spur:	72T
Battery:	#27396 Reedy Zapper 4800 MAH LP		
Battery Position:	Back 1 <input type="checkbox"/> 2 <input type="checkbox"/> 3 <input type="checkbox"/> 4 <input checked="" type="checkbox"/> Forward		
Battery Weight:			

Differential:

	Front	Center	Rear
Fluid:	#5455 FT 10k	#5461 FT 200k	#5454 FT 7k
Gears:	HTC	LTC	HTC
Type:	Plastic	Plastic	Plastic
Notes:	#92318 FT Ring & Pinion, Plastic Lube Gears w/ #6636 Silicone Grease		

Slipper Clutch:

Type:	N/A
# of Pads:	N/A
Setting:	N/A

Shocks:

	Front	Rear
Piston:	1 x 1.7 + 1 x 1.8	2 x 1.9
Thickness:	2.5 mm	2.5 mm
Fluid:	#5475 FT 37.5wt	#5472 FT 30wt
Spring:	#91945 13mm Orange	#91951 13mm Yellow
Limiters:	Int: 0 Ext: 3	Int: 0 Ext: 2
Stroke:	23.0mm	28.0mm
Eyelet Length:	+2mm	+0mm
Cup Offset:	5mm	0mm
Notes:	#91923 & 91925 FT Fox Shock Bodies; #91494 FT Machined Shock Internals	



Track Info:

Size:	Small <input type="checkbox"/> Medium <input checked="" type="checkbox"/> Large <input type="checkbox"/> Extra Large <input type="checkbox"/>
Surface:	Dirt <input checked="" type="checkbox"/> Carpet <input type="checkbox"/> AstroTurf <input type="checkbox"/> Multi Surface <input type="checkbox"/>
Traction:	Low <input type="checkbox"/> Medium <input type="checkbox"/> High <input checked="" type="checkbox"/> Very High <input type="checkbox"/>
Moisture:	Dry <input checked="" type="checkbox"/> Damp <input type="checkbox"/> Wet <input type="checkbox"/>
Condition:	Indoor <input checked="" type="checkbox"/> Outdoor <input type="checkbox"/> Bumpy <input type="checkbox"/> Smooth <input type="checkbox"/>
Temperature:	Ambient: 65F Track: 65F
Vehicle Comments:	#92303 FT Side Rails, Carbon; JConcepts Titanium Turnbuckles

Tires:

Front Tires / Compound / Insert / Wheel:	JConcepts Smoothie2 / Silver / Dirt Tech / Team Associated +1.5 mm
Rear Tires / Compound / Insert / Wheel:	JConcepts Smoothie2 / Silver / Dirt Tech / Team Associated +1.5 mm
Notes:	Front Sidewalls Glued TDK Gen2

Body, Wing, Weight:

Body:	JConcepts P2
Front Wing:	Yes <input type="checkbox"/> No <input checked="" type="checkbox"/>
Rear Wing:	7"
Wing Angle:	0° <input type="checkbox"/> 6° <input checked="" type="checkbox"/>
Wing Mount Height:	0 <input checked="" type="checkbox"/> -2 <input type="checkbox"/>
Total Vehicle Weight:	N/A